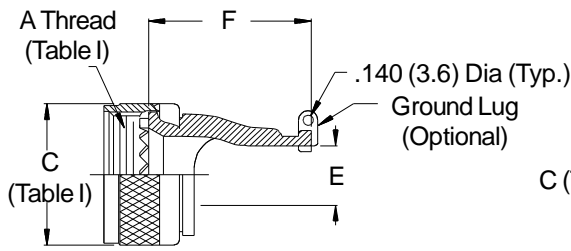
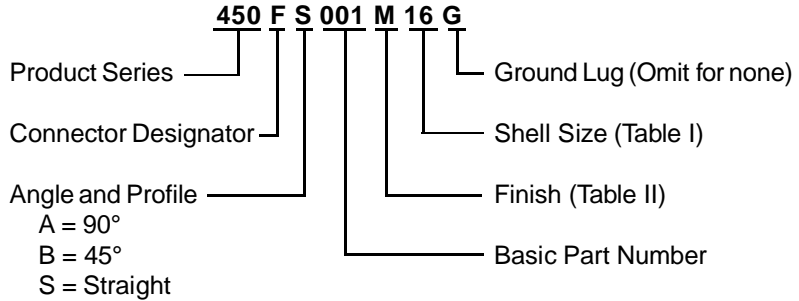


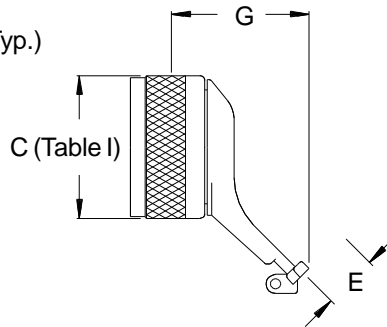
450-001
Qwik-Ty® Strain Relief - Connector Designator F
 Rotatable Coupling (Straight, 45° and 90° Elbows)



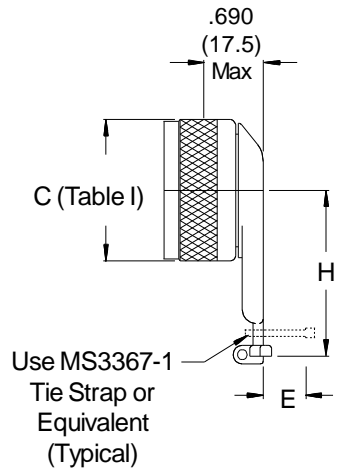
CONNECTOR DESIGNATOR
F



STRAIGHT ROTATABLE COUPLING



45° ROTATABLE COUPLING



90° ROTATABLE COUPLING

See inside back cover fold-out or pages 13 and 14 for Tables I and II.

TABLE III: DIMENSIONS				
Shell Size	E Cable Entry	F Max	G Max	H Max
08	.264 (6.7)	.866 (22.0)	1.066 (27.1)	.890 (22.6)
10	.392 (10.0)	.866 (22.0)	1.066 (27.1)	.950 (24.1)
12	.506 (12.9)	.926 (23.5)	1.066 (27.1)	1.010 (25.7)
14	.631 (16.0)	1.106 (28.1)	1.188 (30.2)	1.330 (33.8)
16	.756 (19.2)	1.106 (28.1)	1.226 (31.1)	1.390 (35.3)
18	.845 (21.5)	1.176 (29.9)	1.226 (31.1)	1.460 (37.1)
20	.970 (24.6)	1.306 (33.2)	1.226 (31.1)	1.510 (38.4)
22	1.095 (27.8)	1.426 (36.2)	1.226 (31.1)	1.510 (38.4)
24	1.220 (31.0)	1.556 (39.5)	1.226 (31.1)	1.640 (41.7)

1. Cable Entry is defined as the accommodation entry for the wire bundle or cable. Dimensions are not intended for inspection criteria.
2. Metric dimensions (mm) are indicated in parentheses.