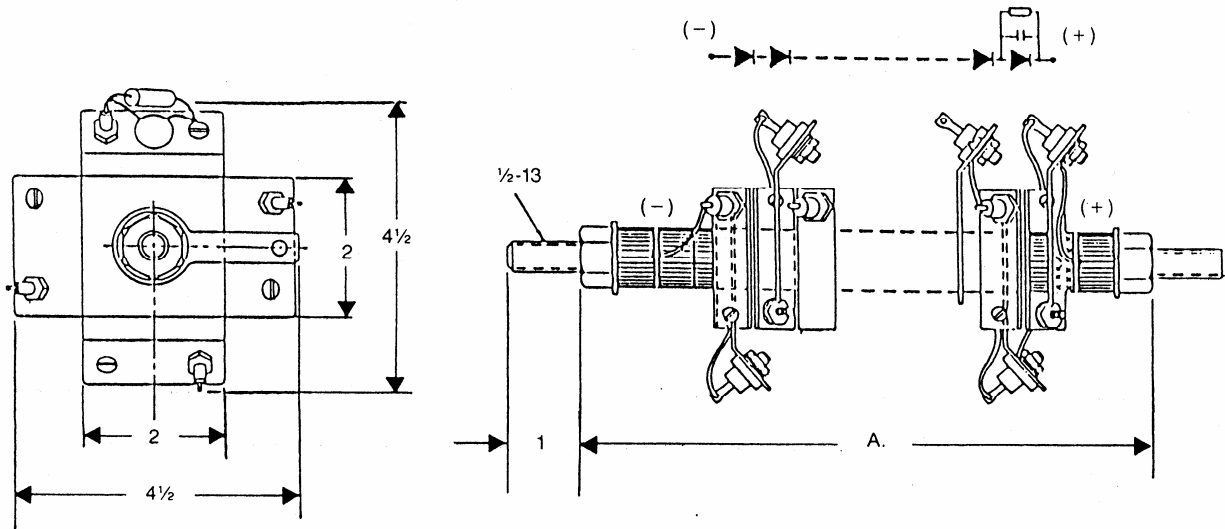
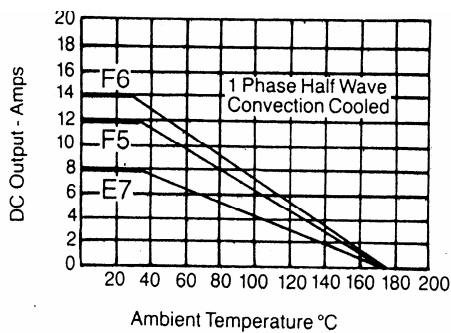


SERIES E7H/F5H/F6H

Silicon High Voltage Assembly



PIV (KV)	A IN	PART NO.	I _s AMPS	PART NO.	I _s AMPS	PART NO.	I _s AMPS
8	5.125	8E7H	250	8F5H	700	8F6H	1200
12	6.250	12E7H		12F5H		12F6H	
16	7.375	16E7H		16F5H		16F6H	
20	8.500	20E7H		20F5H		20F6H	
24	9.625	24E7H		24F5H		24F6H	
28	10.750	28E7H		28F5H		28F6H	
32	11.875	32E7H		32F5H		32F6H	
36	13.000	36E7H		36F5H		36F6H	
40	14.125	40E7H		40F5H		40F6H	
44	15.750	44E7H		44F5H		44F6H	



CIRCUIT SINGLE PHASE HALF WAVE
 SURGE CURRENT SINGLE CYCLE SEE I_s
 PRV SEE TABLE
 DC OUTPUT SEE CURVES

(203) 467-2591 TEL
 (203) 469-5928 FAX
 Email: Info@ edal.com
 Internet: http://www.edal.com

EDAL industries, inc.

51 Commerce St. East Haven, CT 06512