

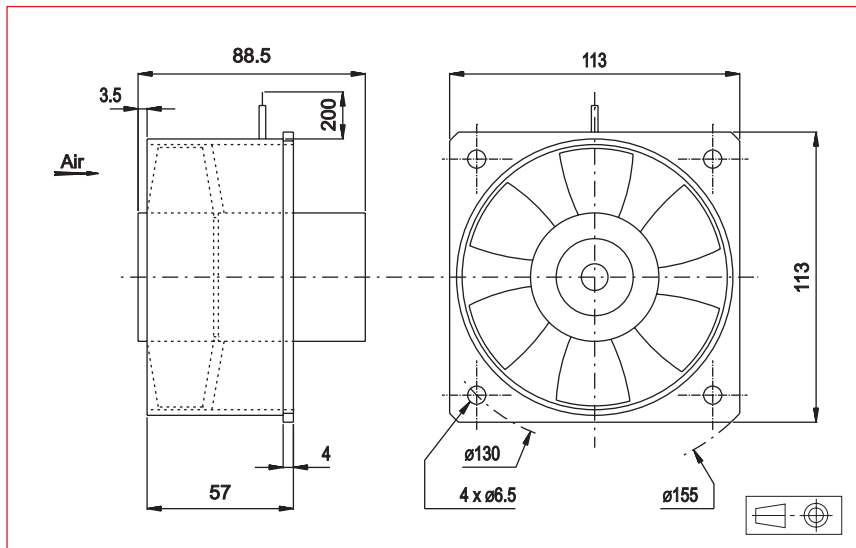
4,45" x 4,45" x 3,48"

113 x 113 x 88,5 mm

Series
80T

ETRI®

400 Hz Fans



Approvals

Life expectancy

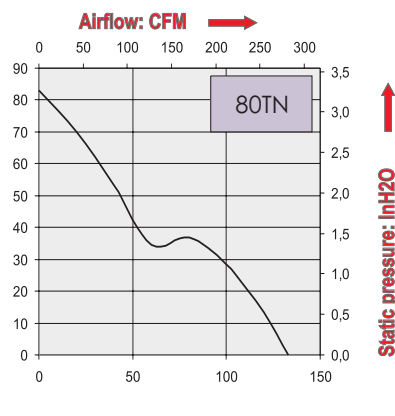
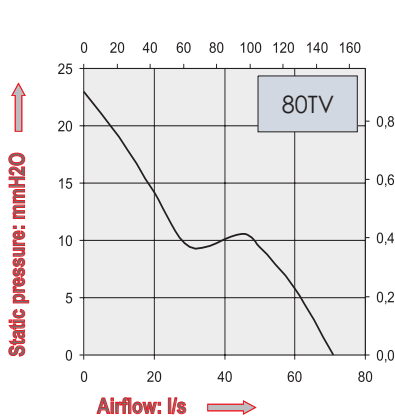
L-10 LIFE AT 40°C:
25 000 hours

400 Hz Motor

Housing material: aluminium
Impeller material: aluminium
Weight: 940 g
Bearing system: ball bearings

Connection: flying leads

Available with:
- Round Housing



Part Number	Nominal voltage	Airflow	Noise level	Nominal speed	Phases	Capacitor (not included)	Input power	Nominal Current	Starting Current	Operating temperature	
	V	l/s	dB(A)	RPM		µF	W	mA	mA	Min.°C	Max.°C
80TV0562C13	115	71	61	5200	3		52	435	645	-10	70
	115	71	61	5200	1	1,47	47	445	540	-10	70
80TV0560C13	200	71	61	5200	3		52	250	370	-10	70
	200	71	61	5200	1	0,47	47	255	310	-10	70
80TN0562C13	115	135	76	9700	3		153	1150	2800	-10	70
	115	135	76	9700	1	4,7	147	1400	2350	-10	70
80TN0560C13	200	135	76	9700	3		153	650	1600	-10	70
	200	135	76	9700	1	1,47	147	785	1350	-10	70

Additional versions:

Salt spray protected - Shock and vibration protected - Marine specifications
Wide temperature range

Accessories:

Refer to Accessories leaflet