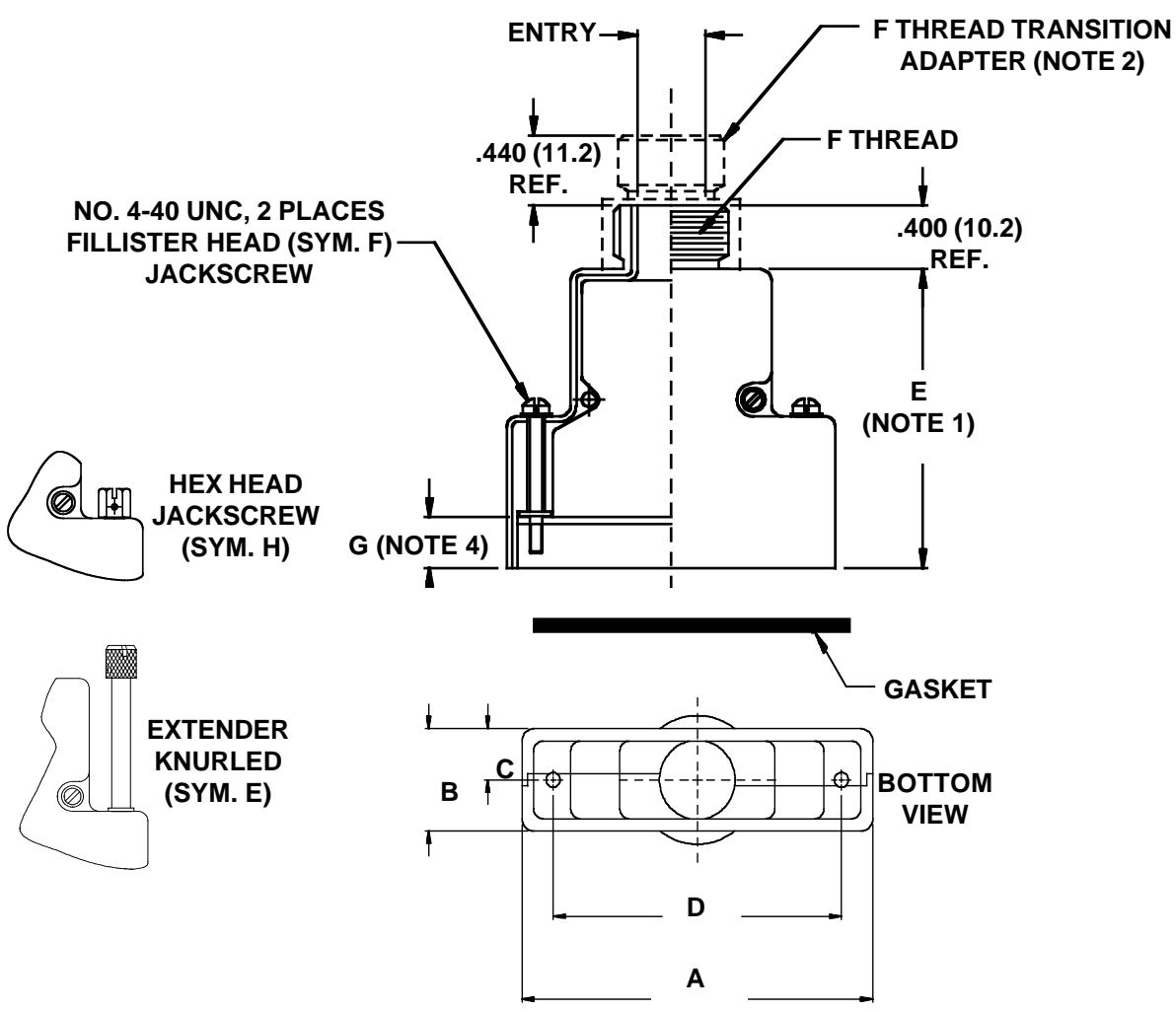
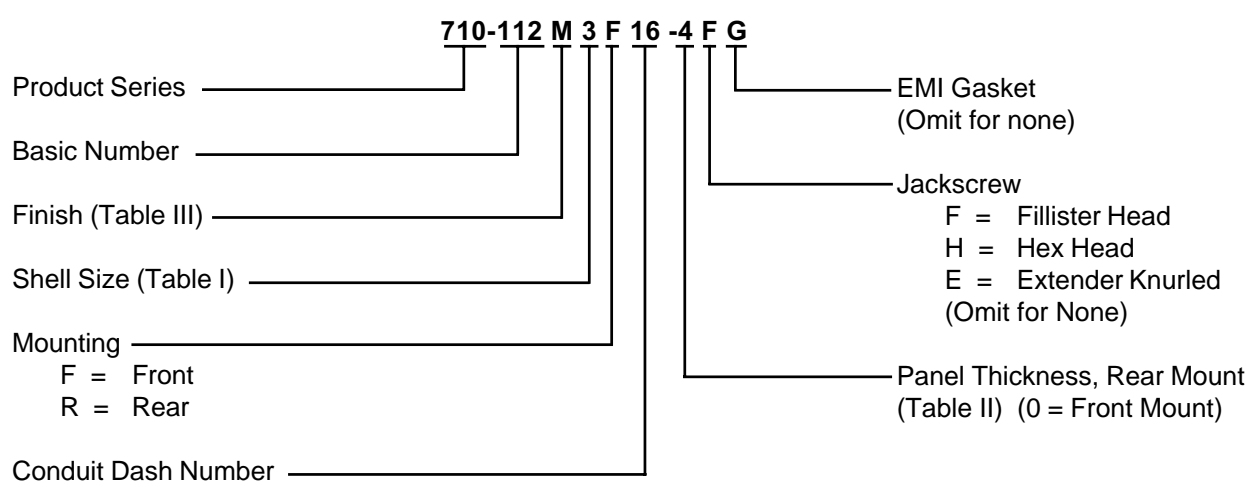




710-112 Metal Split Rectangular Backshell for Series 72 & 74 Tubing and Series 75 Conduit



710-112

Metal Split Rectangular Backshell for Series 72 & 74 Tubing and Series 75 Conduit



TABLE I

SHELL SIZE	A	B MAX	C	D ±.005 (0.1)	ENTRY MAX	E (NOTE 3)	F THREAD CLASS 2A	STD CONDUIT
1	1.363 (34.6)	.624 (15.8)	.322 (8.2)	.984 (25.0)	.250 (6.4)	1.625 (41.3)	5/8 - 24 UNEF	12
2	1.691 (43.0)	.624 (15.8)	.322 (8.2)	1.312 (33.3)	.375 (9.5)	1.625 (41.3)	3/4 - 20 UNEF	16
3	2.250 (57.2)	.624 (15.8)	.322 (8.2)	1.852 (47.0)	.475 (12.1)	1.844 (46.8)	7/8 - 20 UNEF	20
4	2.879 (73.1)	.624 (15.8)	.322 (8.2)	2.500 (63.5)	.475 (12.1)	1.844 (46.8)	7/8 - 20 UNEF	20
5	2.785 (70.7)	.735 (18.7)	.375 (9.5)	2.406 (61.1)	.575 (14.6)	1.844 (46.8)	1 - 20 UNEF	24
6*	2.885 (73.3)	.844 (21.4)	.422(10.7)	2.500 (63.5)	1.000 (25.4)	2.000 (50.8)	1 5/16 - 18 UNEF	32

* Shell size 6 always supplied with transition adapter

TABLE II
REAR MOUNTED (NOTE 4)

DASH NO.	PANEL THICKNESS	E		G
		SIZE 1, 2 ±.030 (.7)	SIZE 3, 4, 5 ±.030 (.7)	
1	.031 (0.8)	1.525 (38.7)	1.745 (44.3)	.247 (6.3)
2	.062 (1.6)	1.500 (38.1)	1.720 (43.7)	.216 (5.5)
3	.093 (2.4)	1.470 (37.3)	1.690 (42.9)	.185 (4.7)
4	.125 (3.2)	1.430 (36.3)	1.650 (41.9)	.153 (3.9)
5	.156 (4.0)	1.400 (35.6)	1.620 (41.1)	.125 (3.2)
9	.188 (4.8)	1.368 (34.7)	1.590 (40.4)	.094 (2.4)

TABLE III

SYMBOL	FINISH
B	Olive Drab over Cadmium Plate
J	Gold Iridite over Cadmium Plate over Nickel
M	Electroless Nickel
N	Olive Drab over Cadmium Plate over Nickel
NC	Zinc-Cobalt, Olive Drab
NF	Olive Drab over Cadmium Plate over Electroless Nickel (500 Hour Salt Spray)
T	Bright Dip Cadmium Plate over Nickel

NOTES:

- For front mount, mating connector must be mounted to panel using M24308/26 female lockscrews -- float mounts cannot be used. For rear mount, use Glenair 559-001.
- Transition adapter is supplied with conduit dash numbers not listed in "Standard Conduit" column.
- Dimensions given for front mount connectors only.
- Dimensions given for rear mount connectors only.
- For other rectangular connectors consult factory.
- Metric dimensions (mm) are indicated in parentheses.