

**PLEASE CHECK WWW.MOLEX.COM FOR LATEST PART INFORMATION**

**Part Number:** [0888080016](#)  
**Status:** **Active**  
**Description:** 28AWG Cable, Notch every 6"

**Documents:**

[Drawing \(PDF\)](#) [RoHS Certificate of Compliance \(PDF\)](#)

**General**

Product Family Cable  
Series [7307](#)  
Crimp Quality Equipment Yes  
Product Name Ribbon

**Physical**

Cable Length 152.40m (500.0' )  
Circuits (Loaded) 8  
Circuits (maximum) 8  
Packaging Type Bag  
Temperature Range - Operating N/A  
Wire Size AWG 28  
Wire/Cable Type N/A

**Electrical**

Current - Maximum per Contact N/A  
Voltage - Maximum N/A

**Material Info**

Old Part Number 73070806\*

**Reference - Drawing Numbers**

Sales Drawing SD-88808-0016

**EU RoHS**

**ELV and RoHS  
Compliant**

**REACH SVHC**

Not Reviewed

**Halogen-Free  
Status**

**Not Reviewed**

**China RoHS**



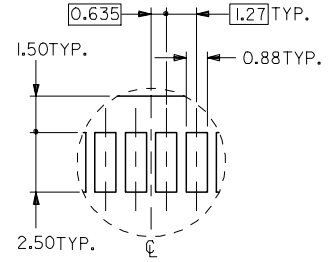
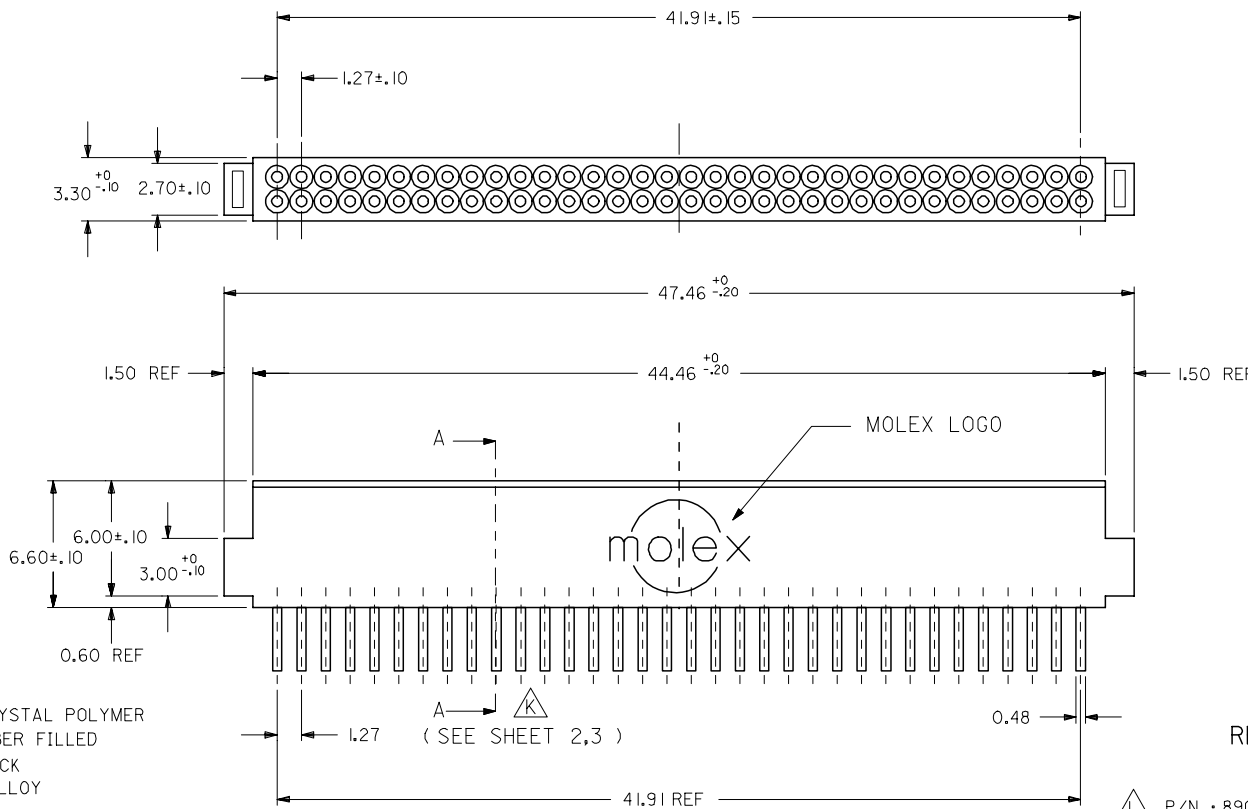
**Need more information on product  
environmental compliance?**

Email [productcompliance@molex.com](mailto:productcompliance@molex.com)  
For a multiple part number RoHS Certificate of  
Compliance, [click here](#)

Please visit the [Contact Us](#) section for any  
non-product compliance questions.

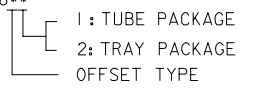
**Search Parts in this Series**

[7307Series](#)



RECOMMENDED PCB LAYOUT (5:1)

P/N : 89074-68\*\*

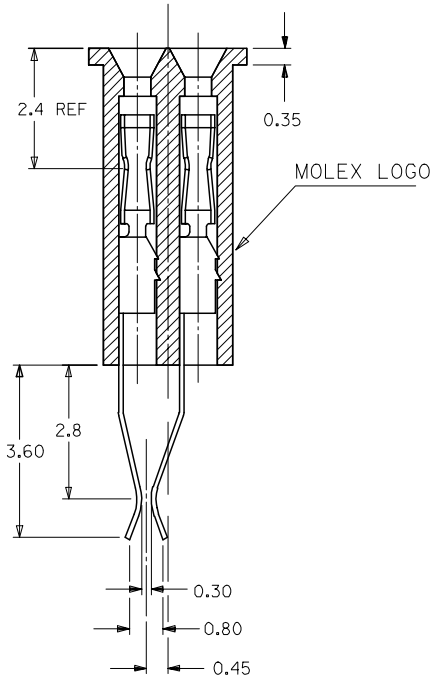


NOTES

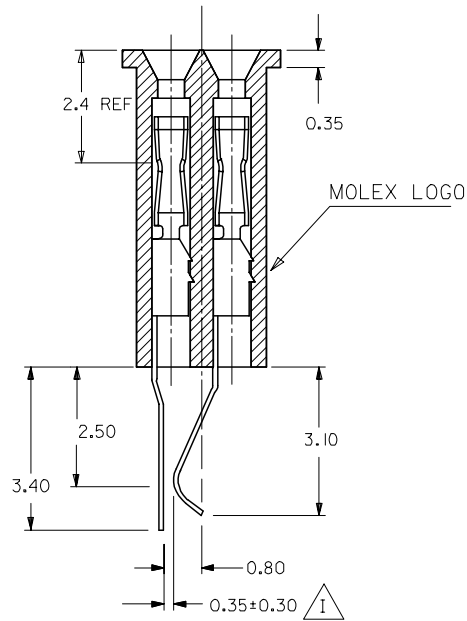
- MATERIAL  
HOUSING : LIQUID CRYSTAL POLYMER  
GLASS FIBER FILLED  
UL94V-0, COLOR: BLACK  
TERMINAL: COPPER ALLOY
- PLATING  
CONTACT AREA : Au OVER Pd-Ni  
SOLDER TAIL AREA : Sn-Pb  
UNDERPLATING : NI OVERALL
- PRODUCT SPEC. REFER TO PS-89073.
- MATE WITH :  
FRAME : 89201-000\*/89251-0001/89251-\*\*\*00  
HEADER : 89030/ 89147
- THE RECOMMENDED PCB THICKNESS PLS SEE TABLE,  
WHEN THE TOTAL THK. OF PCB W/ SOLDER PAST  
OVER 0.40MM WILL APPLIABLE TOO.

0.60	0.9 - 1.0
0.35	0.5 - 0.6
0.30	0.4 - 0.5
GAP	PCB THICKNESS

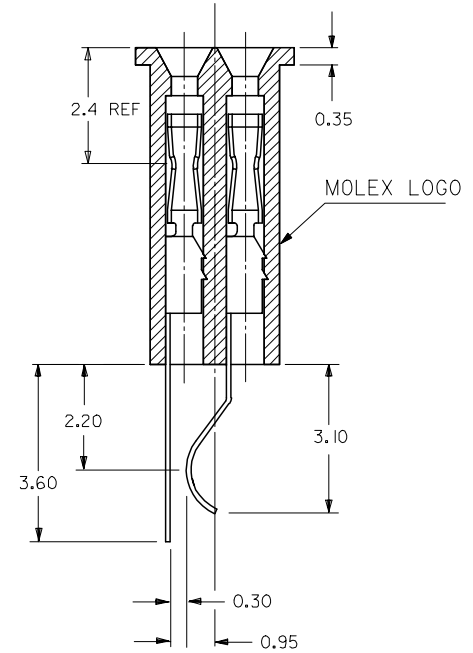
REVISED	EC NO: SH2005-0089 DRWN:HBLJ 2004/10/13 CHKD:GRATE MA2004/10/14 APPR:YTYAP 2004/10/15	DESCRIPTION	QUALITY SYMBOLS	GENERAL TOLERANCES (UNLESS SPECIFIED)	SCALE	DESIGN UNITS	THIRD ANGLE PROJECTION	REVISE ON CAD ONLY															
			<p>▽ = 0</p> <p>∇ = 0</p>		<table border="1"> <tr> <th></th> <th>mm</th> <th>INCH</th> </tr> <tr> <td>4 PLACES</td> <td>± ---</td> <td>± ---</td> </tr> <tr> <td>3 PLACES</td> <td>± ---</td> <td>± ---</td> </tr> <tr> <td>2 PLACES</td> <td>± 0.13</td> <td>± ---</td> </tr> <tr> <td>1 PLACE</td> <td>± 0.25</td> <td>± ---</td> </tr> </table>		mm	INCH	4 PLACES	± ---	± ---	3 PLACES	± ---	± ---	2 PLACES	± 0.13	± ---	1 PLACE	± 0.25	± ---	<table border="1"> <tr> <th colspan="2">DIMENSION STYLE</th> </tr> <tr> <td colspan="2">MM ONLY</td> </tr> </table>	DIMENSION STYLE	
	mm	INCH																					
4 PLACES	± ---	± ---																					
3 PLACES	± ---	± ---																					
2 PLACES	± 0.13	± ---																					
1 PLACE	± 0.25	± ---																					
DIMENSION STYLE																							
MM ONLY																							
							68 RECEPTACLE PC CARD																
					DRAWN BY THOMAS	DATE 97/04/09	MATERIAL NO. SEE TABLE SDA-89074-***1 OF 3	DOCUMENT NO.															
					CHECKED BY JULIA	DATE 97/04/09			SHEET NO. 1 OF 3														
					APPROVED BY JULIA	DATE 97/04/09	THIS DRAWING CONTAINS INFORMATION THAT IS PROPRIETARY TO MOLEX INCORPORATED AND SHOULD NOT BE USED WITHOUT WRITTEN PERMISSION																



A-89074-6802

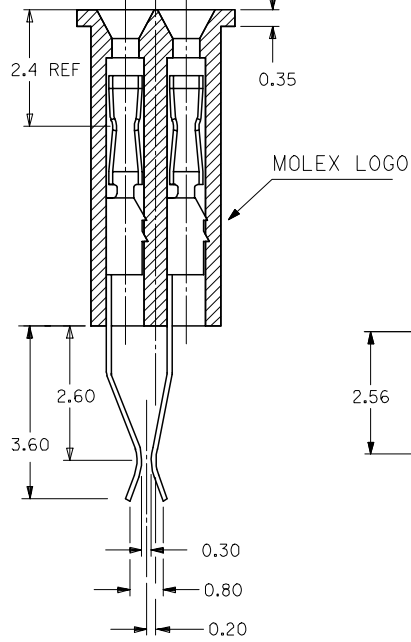


A-89074-6822

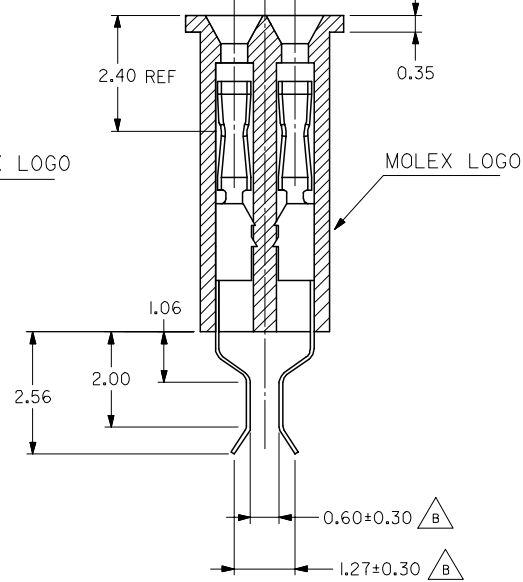


$\triangle k$  A-89074-683\*

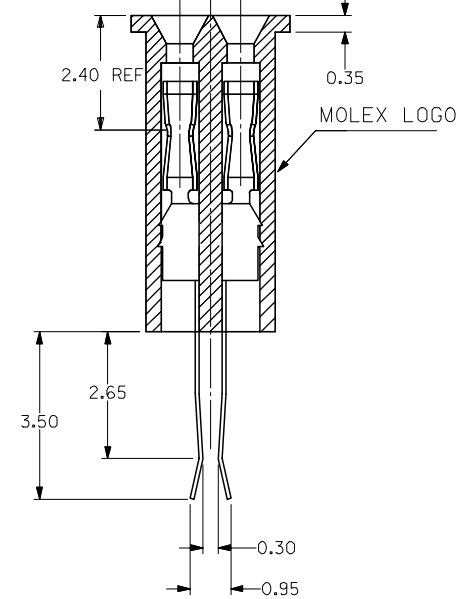
REVISED EC NO: SH2005-0089 DRWN:HBL CHKD:GRATE MAZ004/10/14 APPR:YTYAP 2004/10/15	DESCRIPTION N	QUALITY SYMBOLS	GENERAL TOLERANCES (UNLESS SPECIFIED)		SCALE 1:1	DESIGN UNITS METRIC	THIRD ANGLE PROJECTION	REVISE ON CAD ONLY		
		▼ = 0 ▽ = 0	mm	INCH	DIMENSION STYLE MM ONLY		TITLE 68 RECEPTACLE PC CARD			
			4 PLACES ± --- ± ---		DRAWN BY THOMAS	DATE 97/04/09	MATERIAL NO. DOCUMENT NO. SHEET NO. SEE TABLE SDA-89074-***2 OF 3			
			3 PLACES ± --- ± ---		CHECKED BY JULIA	DATE 97/04/09	MATERIAL NO. DOCUMENT NO. SHEET NO. SEE TABLE SDA-89074-***2 OF 3			
	2 PLACES ± 0.13 ± ---		ANGULAR ± 1/2°		MATERIAL NO. DOCUMENT NO. SHEET NO. SEE TABLE SDA-89074-***2 OF 3					
	1 PLACE ± 0.25 ± ---		DRAFT WHERE APPLICABLE		MATERIAL NO. DOCUMENT NO. SHEET NO. SEE TABLE SDA-89074-***2 OF 3					
			MUST REMAIN WITHIN DIMENSIONS		MATERIAL NO. DOCUMENT NO. SHEET NO. SEE TABLE SDA-89074-***2 OF 3					
					THIS DRAWING CONTAINS INFORMATION THAT IS PROPRIETARY TO MOLEX INCORPORATED AND SHOULD NOT BE USED WITHOUT WRITTEN PERMISSION					



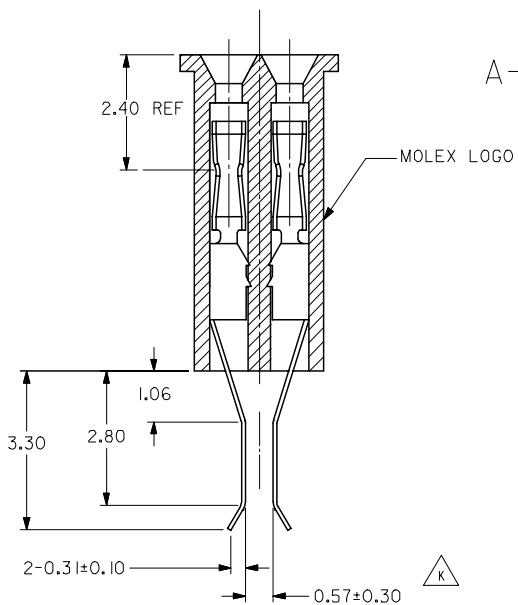
A-89074-6852



A-89074-686\*

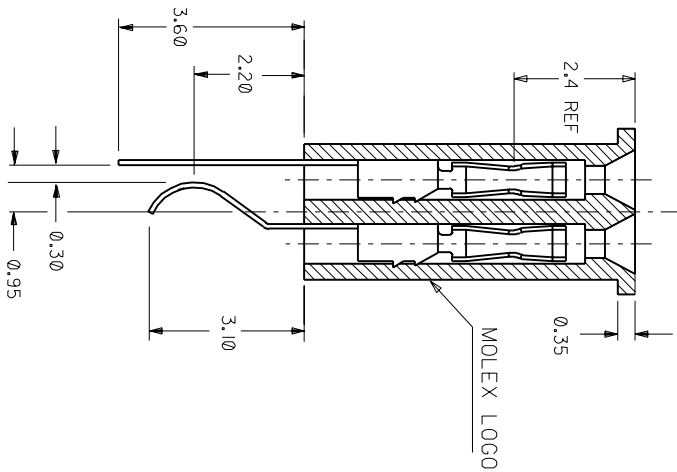
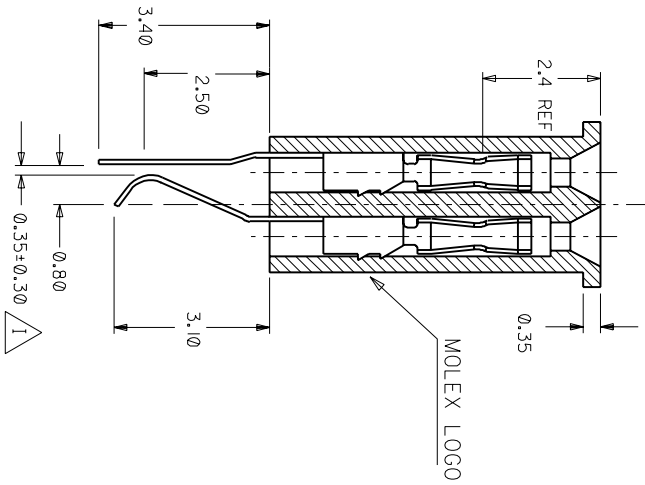
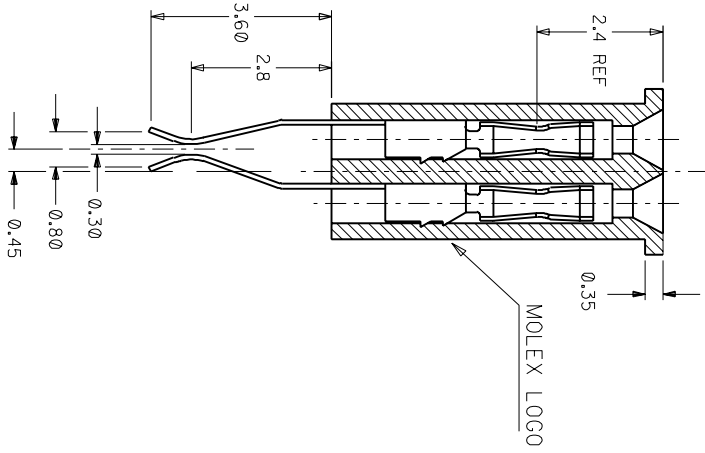


A-89074-6882



A-89074-689\*

REVISED EC NO: SH2005-0089 DRWN:HBL CHKD:GRATE MA2004/10/14 APPR:YTYAP 2004/10/15	QUALITY SYMBOLS ▼ = 0 ▽ = 0	GENERAL TOLERANCES (UNLESS SPECIFIED)		SCALE 1:1	DESIGN UNITS METRIC	THIRD ANGLE PROJECTION	REVISE ON CAD ONLY
		4 PLACES ± --- ± ---	3 PLACES ± --- ± ---	DIMENSION STYLE MM ONLY	TITLE 68 RECEPTACLE PC CARD		
DESCRIPTION N	DRAFT WHERE APPLICABLE MUST REMAIN WITHIN DIMENSIONS	2 PLACES ± 0.13 ± ---	1 PLACE ± 0.25 ± ---	DRAWN BY THOMAS	DATE 97/04/09	MATERIAL NO. DOCUMENT NO. SHEET NO. SEE TABLE SDA-89074-*** 3 OF 3	
		ANGULAR ± 1/2°		CHECKED BY JULIA	DATE 97/04/09	MATERIAL NO. DOCUMENT NO. SHEET NO. SEE TABLE SDA-89074-*** 3 OF 3	
		THIS DRAWING CONTAINS INFORMATION THAT IS PROPRIETARY TO MOLEX INCORPORATED AND SHOULD NOT BE USED WITHOUT WRITTEN PERMISSION					



K	OBSELETE 89074-6832	2002-08-24	MAX	01/08/14				
J	ADD 89074-688*	1999-02-20	GMONG	9903/16				
I	CHANGE 89074-682*	1999-08-11	THOMAS	9809/30				
H	NEW OPTION 89074-682*	1999-02-24	THOMAS	9808/04				
G	PER ECN T98-125		THOMAS	9710/03				
F	ADD TRAY PACKAGE	T98-004	THOMAS	9707/09				
E	PER ECN T97-340		THOMAS	9704/08				
D	PER ECN T97-204		JULIA	9702/04				
C	PER ECN T96-310		JULIA	9602/13				
LTR	REVISION RECORD	ECN	DR	DATE	DRAWN BY	CHK'D BY	TITLE	REV
REVISION ONLY ON CAD SYSTEM					APPR'D BY	SCALE	10 : 1	SDA-89074-****
							PC	KT

MOLEX  
TAIWAN LTD.  
SHEET 2 OF 3

GENERAL TOLERANCES  
ANGLE : ± 3°  
DIM : ± .25 / 0.10

ENG. NO. SDA-89074-\*\*\*\*

THIS DRAWING CONTAINS INFORMATION THAT IS PROPRIETARY TO MOLEX (FEM) AND SHOULD NOT BE USED WITHOUT WRITTEN PERMISSION

