

PLEASE CHECK WWW.MOLEX.COM FOR LATEST PART INFORMATION

Part Number: [0395250012](#)
Status: **Active**
Description: 5.00mm (.197") Pitch Eurostyle™ Vertical PCB Header, with Threaded Retention Inserts, 12 Circuits

Documents:

[3D Model](#) [Product Specification PS-39500-001 \(PDF\)](#)
[Drawing \(PDF\)](#) [RoHS Certificate of Compliance \(PDF\)](#)

General

Product Family	Terminal Blocks
Series	39525
Application	Wire-to-Board
Component Type	PCB Header
Product Literature Order No	USA-355
Product Name	ESE, Eurostyle™ Pluggable
Type	Euro Block

Physical

Circuits (Loaded)	12
Entry Angle	N/A
Lock to Mating Part	Yes
Number of Rows	1
Orientation	Vertical
PC Tail Length (in)	0.154 In
PC Tail Length (mm)	3.90 mm
PCB Thickness Recommended (in)	0.125 In
PCB Thickness Recommended (mm)	3.20 mm
Panel Mount	No
Pitch - Mating Interface (in)	0.197 In
Pitch - Mating Interface (mm)	5.00 mm
Polarized to Mating Part	Yes
Shrouded	Closed Ends
Stackable	No
Surface Mount Compatible (SMC)	N/A
Temperature Range - Operating	-40°C to +105°C
Wire Size AWG	N/A

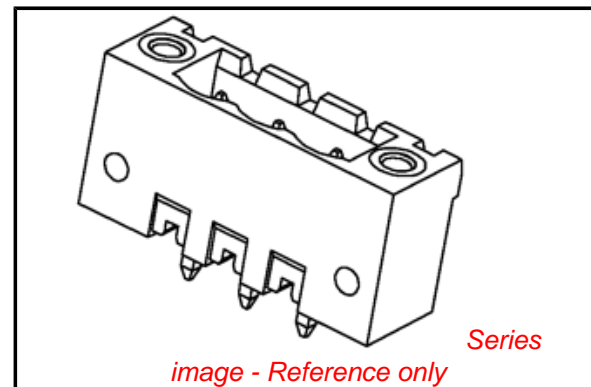
Electrical

Current - Maximum per Contact	15A
Voltage - Maximum	300V

Material Info

Reference - Drawing Numbers

Product Specification	PS-39500-001
Sales Drawing	SD-39501-002, SD-39525-002



EU RoHS

ELV and RoHS Compliant
REACH SVHC
 Not Reviewed
Halogen-Free Status

China RoHS



Not Reviewed

Need more information on product environmental compliance?

Email productcompliance@molex.com
 For a multiple part number RoHS Certificate of Compliance, [click here](#)

Please visit the [Contact Us](#) section for any non-product compliance questions.

Search Parts in this Series

[39525Series](#)

Mates With

Most 5.00mm (.197") Pitch Industry Standard Plugs, [39524](#) Horizontal Plug with Retention Screws, [39527](#) Vertical Plug with Retention Screws

3950X SERIES
3.50mm HEADERS



3952X & 3954X SERIES
5.00mm HEADERS
5.00mm 10 AMP FIXED



3953X SERIES
5.08mm HEADERS



3951X SERIES
3.81mm HEADERS



3954X SERIES
5.00mm 15 AMP FIXED



3954X SERIES
5.08mm 15 AMP FIXED



NOTES:

- REFER TO INDIVIDUAL PRODUCT SALES DRAWINGS FOR "B" DIMENSION.
- DOES NOT APPLY TO DUAL LEVEL HEADERS, SERIES 39528 AND 39538.
- TYP. = TYPICAL.

INITIAL RELEASE	EC NO: ETC2007-0096
DRWN: CLYORK	2006/10/02
CHKD: JMACNEIL	2006/10/04
APPR: JMACNEIL	2006/10/04
REV	DESCRIPTION
A	

QUALITY SYMBOLS
▽=0
▽=0

GENERAL TOLERANCES (UNLESS SPECIFIED)	
	mm INCH
4 PLACES	± .005 ± .005
3 PLACES	± .005 ± .005
2 PLACES	± 0.13 ± .01
1 PLACE	± 0.3 ± .01
ANGULAR ± 2 °	
DRAFT WHERE APPLICABLE MUST REMAIN WITHIN DIMENSIONS	

DIMENSION STYLE	
MM/IN	
DRAWN BY	DATE
C. YORK	2006/08/25
CHECKED BY	DATE
J. MACNEIL	2006/08/25
APPROVED BY	DATE
J. MACNEIL	2006/08/25
MATERIAL NO.	
--	

SCALE	DESIGN UNITS	THIRD ANGLE PROJECTION
3:1	INCH	
TITLE		
RECOMMENDED PCB LAYOUT FOR ESE TERMINAL BLOCKS		
MOLEX INCORPORATED		
DOCUMENT NO.	SHEET NO.	
SD-39501-002	1 OF 1	
THIS DRAWING CONTAINS INFORMATION THAT IS PROPRIETARY TO MOLEX INCORPORATED AND SHOULD NOT BE USED WITHOUT WRITTEN PERMISSION		

10 9 8 7 6 5 4 3 2 1

F

E

D

C

B

A

F

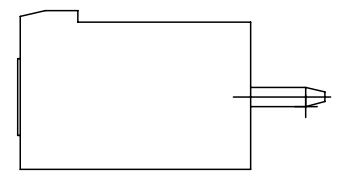
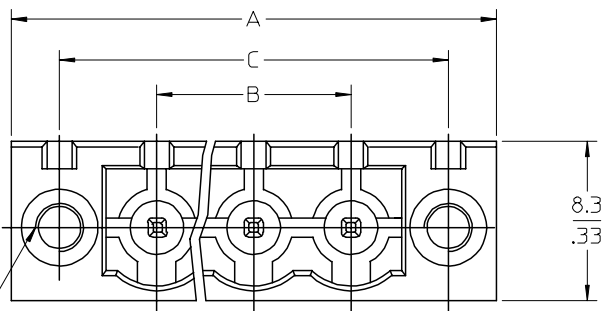
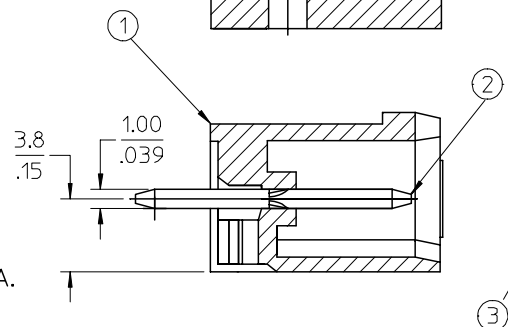
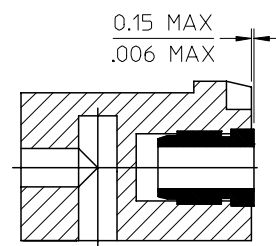
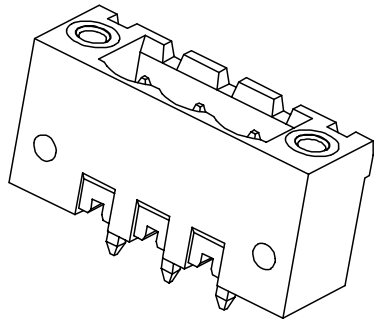
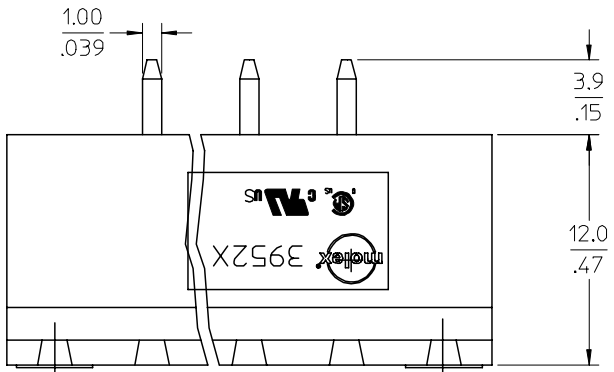
E

D

C

B

A



SPECIFICATIONS:

- 1. Material:
 - (1). Body: PA66
 - (2). Pin: Brass
 - (3). Threaded insert: Brass
- 2. Wire range: N/A
- 3. Electrical rating: 300V, 15A.
- 4. Wire strip length: N/A
- 5. Operating temperature: -40C to +105C.
- 6. Max torque: N/A
- 7. Insulation resistance: DC 500V, 500M.
- 8. Dielectric withstand: AC 2500V for 1 minute.
- 9. Breakdown voltage: 4000V.
- 10. $A = (B + 15.0\text{mm})$
- 11. $B = (N - 1) \times P$
- 13. $C = (B + 10\text{mm})$
- 12. P (PITCH) = 5.0mm (.197").
- 13. N = Number of positions available 2 through 24.

ENTER DESCRIPTION EC NO: NEC2006-0310 DRWNL: LROTHAUS 2006/01/09 CHKD: CYORK 2006/01/09 APPR: JPAMLIK 2006/01/10	QUALITY SYMBOLS ▽=0 ▽=0	GENERAL TOLERANCES (UNLESS SPECIFIED)		DIMENSION STYLE MM/IN		SCALE 4:1	DESIGN UNITS INCH	THIRD ANGLE PROJECTION	
			mm	INCH	DRAWN BY LROTHAUS	DATE 12/6/05	TITLE 5.0MM, EURO HEADER, VERTICAL, MOUNTING		
		4 PLACES	± ---	± .0015	CHECKED BY C. YORK	DATE 01/06/06			
		3 PLACES	± 0.038	± .005	APPROVED BY	DATE	MOLEX INCORPORATED		
2 PLACES	± 0.13	± .01	MATERIAL NO. SEE CHART		DOCUMENT NO. SD-39525-002		SHEET NO. 1 OF 1		
1 PLACE	± 0.3	± ---	DRAFT WHERE APPLICABLE MUST REMAIN WITHIN DIMENSIONS		THIS DRAWING CONTAINS INFORMATION THAT IS PROPRIETARY TO MOLEX INCORPORATED AND SHOULD NOT BE USED WITHOUT WRITTEN PERMISSION				
		ANGULAR ± 2 °							

9 8 7 6 5 4 3 2 1

Description	Circuit size	Material Numbers											Dimensional Information								
		Black						Green					Dim. A			Dim. B			Dim. C		
		100% Tin			30 u" Gold			100% Tin			30 u" Gold										
		Printing Options			Printing Options			Printing Options			Printing Options		mm	inch	mm	inch	mm	inch			
5.0mm, Euro Header, Vertical, Mounting Ends	2	395250002	395250302	395250402	395250602	395250802	395250902	395250002	395255302	395255402	395255502	395255602	395255802	395255902	20.00	0.787	5.00	0.197	15.00	0.591	
5.0mm, Euro Header, Vertical, Mounting Ends	3	395250003	395250303	395250403	395250603	395250803	395250903	395250003	395255303	395255403	395255503	395255603	395255803	395255903	25.00	0.984	10.00	0.394	20.00	0.787	
5.0mm, Euro Header, Vertical, Mounting Ends	4	395250004	395250304	395250404	395250604	395250804	395250904	395250004	395255304	395255404	395255504	395255604	395255804	395255904	30.00	1.181	15.00	0.591	25.00	0.984	
5.0mm, Euro Header, Vertical, Mounting Ends	5	395250005	395250305	395250405	395250605	395250805	395250905	395250005	395255305	395255405	395255505	395255605	395255805	395255905	35.00	1.378	20.00	0.787	30.00	1.181	
5.0mm, Euro Header, Vertical, Mounting Ends	6	395250006	395250306	395250406	395250606	395250806	395250906	395250006	395255306	395255406	395255506	395255606	395255806	395255906	40.00	1.575	25.00	0.984	35.00	1.378	
5.0mm, Euro Header, Vertical, Mounting Ends	7	395250007	395250307	395250407	395250607	395250807	395250907	395250007	395255307	395255407	395255507	395255607	395255807	395255907	45.00	1.772	30.00	1.181	40.00	1.575	
5.0mm, Euro Header, Vertical, Mounting Ends	8	395250008	395250308	395250408	395250608	395250808	395250908	395250008	395255308	395255408	395255508	395255608	395255808	395255908	50.00	1.969	35.00	1.378	45.00	1.772	
5.0mm, Euro Header, Vertical, Mounting Ends	9	395250009	395250309	395250409	395250609	395250809	395250909	395250009	395255309	395255409	395255509	395255609	395255809	395255909	55.00	2.165	40.00	1.575	50.00	1.969	
5.0mm, Euro Header, Vertical, Mounting Ends	10	395250010	395250310	395250410	395250610	395250810	395250910	395250010	395255310	395255410	395255510	395255610	395255810	395255910	60.00	2.362	45.00	1.772	55.00	2.165	
5.0mm, Euro Header, Vertical, Mounting Ends	11	395250011	395250311	395250411	395250611	395250811	395250911	395250011	395255311	395255411	395255511	395255611	395255811	395255911	65.00	2.559	50.00	1.969	60.00	2.362	
5.0mm, Euro Header, Vertical, Mounting Ends	12	395250012	395250312	395250412	395250612	395250812	395250912	395250012	395255312	395255412	395255512	395255612	395255812	395255912	70.00	2.756	55.00	2.165	65.00	2.559	
5.0mm, Euro Header, Vertical, Mounting Ends	13	395250013	395250313	395250413	395250613	395250813	395250913	395250013	395255313	395255413	395255513	395255613	395255813	395255913	75.00	2.953	60.00	2.362	70.00	2.756	
5.0mm, Euro Header, Vertical, Mounting Ends	14	395250014	395250314	395250414	395250614	395250814	395250914	395250014	395255314	395255414	395255514	395255614	395255814	395255914	80.00	3.150	65.00	2.559	75.00	2.953	
5.0mm, Euro Header, Vertical, Mounting Ends	15	395250015	395250315	395250415	395250615	395250815	395250915	395250015	395255315	395255415	395255515	395255615	395255815	395255915	85.00	3.346	70.00	2.756	80.00	3.150	
5.0mm, Euro Header, Vertical, Mounting Ends	16	395250016	395250316	395250416	395250616	395250816	395250916	395250016	395255316	395255416	395255516	395255616	395255816	395255916	90.00	3.543	75.00	2.953	85.00	3.346	
5.0mm, Euro Header, Vertical, Mounting Ends	17	395250017	395250317	395250417	395250617	395250817	395250917	395250017	395255317	395255417	395255517	395255617	395255817	395255917	95.00	3.740	80.00	3.150	90.00	3.543	
5.0mm, Euro Header, Vertical, Mounting Ends	18	395250018	395250318	395250418	395250618	395250818	395250918	395250018	395255318	395255418	395255518	395255618	395255818	395255918	100.00	3.937	85.00	3.346	95.00	3.740	
5.0mm, Euro Header, Vertical, Mounting Ends	19	395250019	395250319	395250419	395250619	395250819	395250919	395250019	395255319	395255419	395255519	395255619	395255819	395255919	105.00	4.134	90.00	3.543	100.00	3.937	
5.0mm, Euro Header, Vertical, Mounting Ends	20	395250020	395250320	395250420	395250620	395250820	395250920	395250020	395255320	395255420	395255520	395255620	395255820	395255920	110.00	4.331	95.00	3.740	105.00	4.134	
5.0mm, Euro Header, Vertical, Mounting Ends	21	395250021	395250321	395250421	395250621	395250821	395250921	395250021	395255321	395255421	395255521	395255621	395255821	395255921	115.00	4.528	100.00	3.937	110.00	4.331	
5.0mm, Euro Header, Vertical, Mounting Ends	22	395250022	395250322	395250422	395250622	395250822	395250922	395250022	395255322	395255422	395255522	395255622	395255822	395255922	120.00	4.724	105.00	4.134	115.00	4.528	
5.0mm, Euro Header, Vertical, Mounting Ends	23	395250023	395250323	395250423	395250623	395250823	395250923	395250023	395255323	395255423	395255523	395255623	395255823	395255923	125.00	4.921	110.00	4.331	120.00	4.724	
5.0mm, Euro Header, Vertical, Mounting Ends	24	395250024	395250324	395250424	395250624	395250824	395250924	395250024	395255324	395255424	395255524	395255624	395255824	395255924	130.00	5.118	115.00	4.528	125.00	4.921	

SEE SHEET 1 EC NO: NEC2006-0310 DRWN: LROTHAUS 2006/01/09 CHKD: CYORK 2006/01/09 APPR: JPAWLIK 2006/01/10	QUALITY SYMBOLS ▽=0 ▽=0	GENERAL TOLERANCES (UNLESS SPECIFIED)		DIMENSION STYLE		SCALE	DESIGN UNITS	THIRD ANGLE PROJECTION		
				MM/IN		4:1	INCH			
				mm	INCH	DRAWN BY	DATE	5.0MM, EURO HEADER, VERTICAL, MOUNTING		
				4 PLACES ± --- ± .0015	3 PLACES ± 0.038 ± .005	LROTHAUS	12/6/05			
		2 PLACES ± 0.13 ± .01	1 PLACE ± 0.3 ± ---	CHECKED BY	DATE	MOLEX INCORPORATED				
		ANGULAR ± 2 °		C. YORK	01/04/06					
		DRAFT WHERE APPLICABLE MUST REMAIN WITHIN DIMENSIONS		MATERIAL NO.	DOCUMENT NO.	SHEET NO.				
				SEE CHART	SD-39525-002	2 OF 2				
		THIS DRAWING CONTAINS INFORMATION THAT IS PROPRIETARY TO MOLEX INCORPORATED AND SHOULD NOT BE USED WITHOUT WRITTEN PERMISSION								