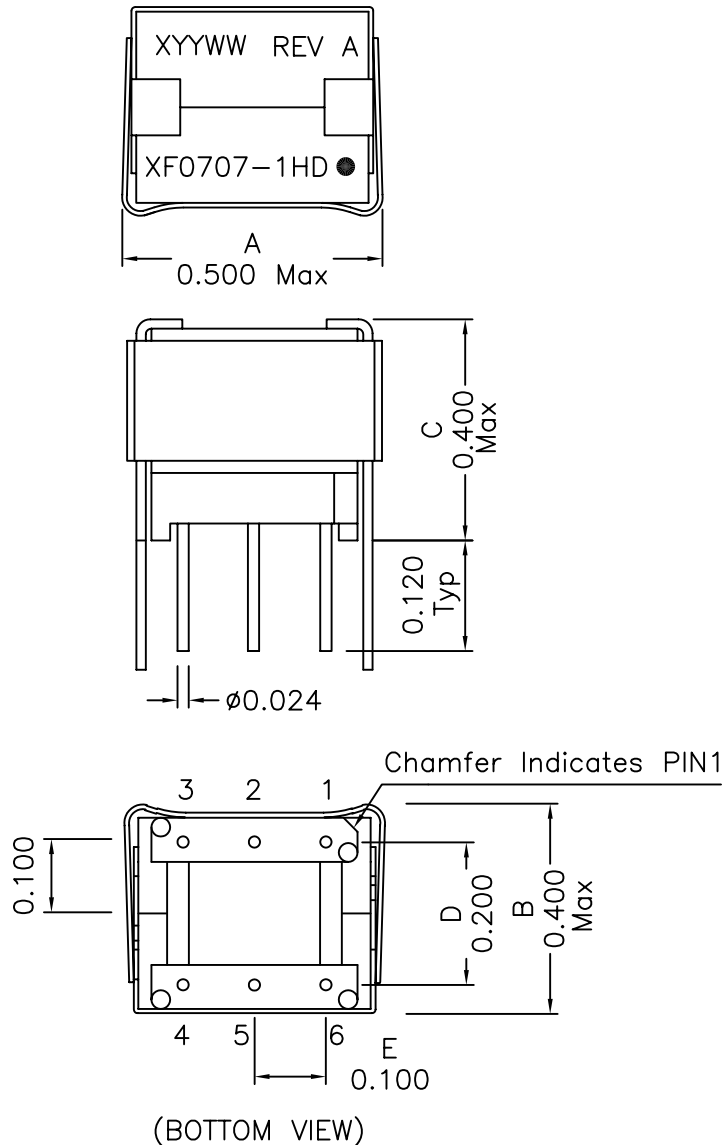
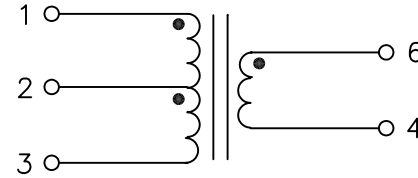


1. Mechanical Dimensions:



2. Schematic:



3. Electrical Specifications: @25°C

Isolation Voltage: 1500VAC For 1 Second Wdg-Core
 OCL: Pins 1-3 2.50mH±20% @10KHz 100mV, 0Adc
 Leakage L: Pins 1-3 15uH Max @100KHz, 0.1V (short 6-4)
 DC Res.: Pins 1-3 3.70 Ohms±10%
 DC Res.: Pins 6-4 1.85 Ohms±10%
 Turns Ratio: (1-3):(6-4) 2CT:1±1%
 THD: Pins 1-3 -50dB Max 100KHz, 13dBm
 THD: Pins 1-3 -50dB Max 40KHz, 13dBm
 Insertion Loss: 0.50dB±0.50dB @300KHz
 Long Bal.: 40dB Min 30KHz to 1.1MHz with pin 6 grounded

Note:

- Solderability: Leads shall meet MIL-STD-202, Method 208D for solderability.
- Flammability: UL94V-0,
- ASTM oxygen index: > 28% ,
- Temperature rating: 155°C. UL file E151556,
- Operating Temperature Range: All listed parameters are to be within tolerance from -40°C to +85°C

DCO. REV. A/1

XFMRs Inc	Title: TRANSFORMER	
	UNLESS OTHERWISE SPECIFIED TOLERANCES: .xxx ±0.005 Dimensions in INCH	P/N: XF0707-1HD REV. A
	DWN.	廖玉坤 Mar-07-01
	CHK.	李清儿 Mar-07-01
	APP.	Joe Huff Mar-07-01
SCALE 2.5:1 SHT 1 OF 1		