

# MC68L11A8

## Supplement to Technical Data Low Voltage Devices

The MC68L11A8 is an extended-voltage version of the MC68HC11A8 microcontroller that can operate in applications that require supply voltages as low as 3.0 Volts. Operation of the MC68L11A8 is identical to that of the MC68HC11A8 in all aspects other than electrical parameters.

This document provides MC68L11A8 electrical characteristics. It is a supplement to Appendix A of the *MC68HC11A8 Technical Data* (MC68HC11A8/D). Refer to the data book for technical information regarding use and operation of the microcontroller. The extended-range electrical characteristics in this supplement will be incorporated into the data book in a subsequent revision.

### Features

- Suitable for Battery-Powered Portable and Hand-Held Applications
- Excellent for use in Devices such as Remote Sensors and Actuators
- Reduced RF Noise
- Operating Performance is Same at 5V and 3V

### Ordering Information

Package	Temperature	Frequency	Features	MC Order Number
52-Pin PLCC	0° to + 70° C	2 MHz	Custom ROM	MC68L11A8FN2
			Custom ROM, No EEPROM	MC68L11A7FN2
			No ROM	MC68L11A1FN2
			No ROM, No EEPROM	MC68L11A0FN2
64-Pin QFP	0° to + 70° C	2 MHz	Custom ROM	MC68L11A8FU2
			Custom ROM, No EEPROM	MC68L11A7FU2
			No ROM	MC68L11A1FU2
			No ROM, No EEPROM	MC68L11A0FU2



This document contains information on a new product. Specifications and information herein are subject to change without notice.

**Freescale Semiconductor, Inc.**

**Freescale Semiconductor, Inc.**

**For More Information On This Product,  
Go to: [www.freescale.com](http://www.freescale.com)**

**SUPPLEMENT TO APPENDIX A  
ELECTRICAL CHARACTERISTICS:  
LOW VOLTAGE DEVICES**

**Table A-1a. Maximum Ratings**

Rating	Symbol	Value	Unit
Supply Voltage	$V_{DD}$	- 0.3 to + 7.0	V
Input Voltage	$V_{in}$	- 0.3 to + 7.0	V
Operating Temperature Range MC68L11A8	$T_A$	$T_L$ to $T_H$ - 20 to + 70	°C
Storage Temperature Range	$T_{stg}$	- 55 to + 150	°C
Current Drain per Pin* Excluding $V_{DD}$ , $V_{SS}$ , $AV_{DD}$ , $V_{RH}$ , and $V_{RL}$	$I_D$	25	mA

\*One pin at a time, observing maximum power dissipation limits.

Internal circuitry protects the inputs against damage caused by high static voltages or electric fields; however, normal precautions are necessary to avoid application of any voltage higher than maximum-rated voltages to this high-impedance circuit. Extended operation at the maximum ratings can adversely affect device reliability. Tying unused inputs to an appropriate logic voltage level (either GND or  $V_{DD}$ ) enhances reliability of operation.

**Table A-2a. Thermal Characteristics**

Characteristic	Symbol	Value	Unit
Average Junction Temperature	$T_J$	$T_A + (P_D \times \theta_{JA})$	°C
Ambient Temperature	$T_A$	User-determined	°C
Package Thermal Resistance (Junction-to-Ambient) 52-Pin Plastic Leaded Chip Carrier (PLCC) 64-Pin Quad Flat Pack (QFP)	$\theta_{JA}$	50 85	°C/W
Total Power Dissipation (Note 1)	$P_D$	$\frac{P_{INT} + P_{I/O}}{K / (T_J + 273^\circ\text{C})}$	W
Device Internal Power Dissipation	$P_{INT}$	$I_{DD} \times V_{DD}$	W
I/O Pin Power Dissipation (Note 2)	$P_{I/O}$	User-determined	W
A Constant (Note 3)	K	$P_D \times (T_A + 273^\circ\text{C}) + \theta_{JA} \times P_D^2$	W · °C

**NOTES:**

1. This is an approximate value, neglecting  $P_{I/O}$ .
2. For most applications  $P_{I/O} \ll P_{INT}$  and can be neglected.
3. K is a constant pertaining to the device. Solve for K with a known  $T_A$  and a measured  $P_D$  (at equilibrium). Use this value of K to solve for  $P_D$  and  $T_J$  iteratively for any value of  $T_A$ .

Table A-3a. DC Electrical Characteristics

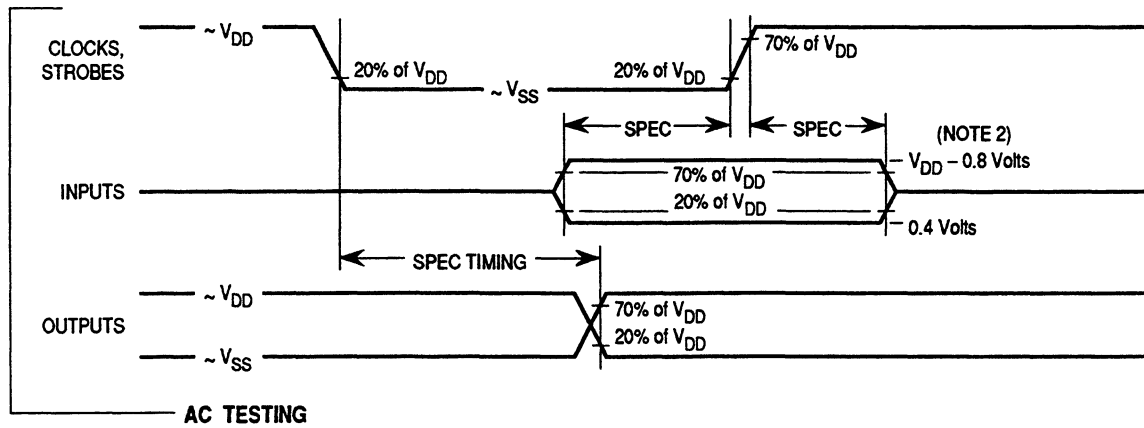
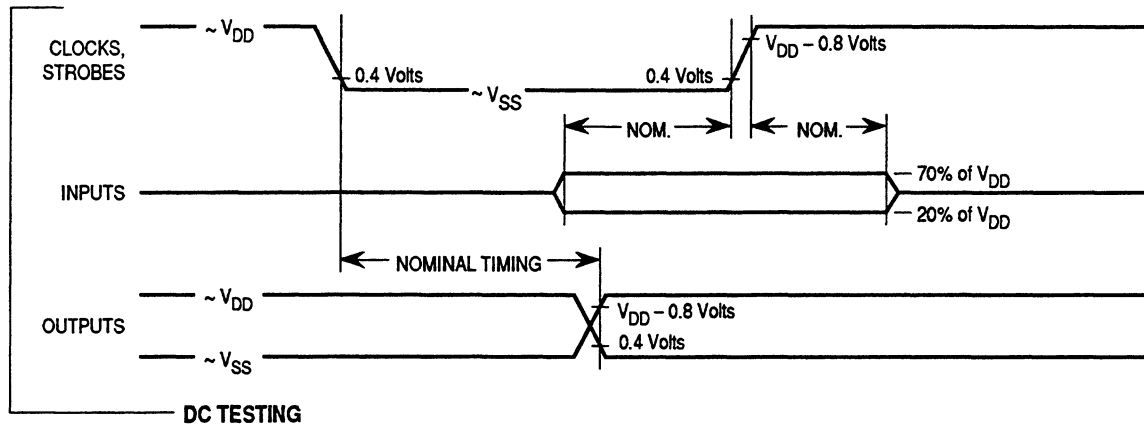
V<sub>DD</sub> = 3.0 Vdc to 5.5 Vdc, V<sub>SS</sub> = 0 Vdc, T<sub>A</sub> = T<sub>L</sub> to T<sub>H</sub>, unless otherwise noted

Characteristic	Symbol	Min	Max	Unit
Output Voltage (Note 1) All Outputs except XTAL All Outputs Except XTAL, RESET, and MODA I <sub>Load</sub> = ± 10.0 μA	V <sub>OL</sub> V <sub>OH</sub>	— V <sub>DD</sub> - 0.1	0.1 —	V V
Output High Voltage (Note 1) All Outputs Except XTAL, RESET, and MODA I <sub>Load</sub> = - 0.5mA, V <sub>DD</sub> = 3.0 V I <sub>Load</sub> = - 0.8 mA, V <sub>DD</sub> = 4.5 V	V <sub>OH</sub>	V <sub>DD</sub> - 0.8	—	V
Output Low Voltage All Outputs Except XTAL I <sub>Load</sub> = 1.6 mA, V <sub>DD</sub> = 5.0 V I <sub>Load</sub> = 1.0 mA, V <sub>DD</sub> = 3.0 V	V <sub>OL</sub>	—	0.4	V
Input High Voltage All Inputs Except <u>RESET</u> RESET	V <sub>IH</sub>	0.7 x V <sub>DD</sub> 0.8 x V <sub>DD</sub>	V <sub>DD</sub> + 0.3 V <sub>DD</sub> + 0.3	V V
Input Low Voltage All Inputs	V <sub>IL</sub>	V <sub>SS</sub> - 0.3	0.2 x V <sub>DD</sub>	V
I/O Ports, Three-State Leakage PA7, PC[7:0], PD[5:0], AS/STRA, MODA/LIR, RESET V <sub>in</sub> = V <sub>IH</sub> or V <sub>IL</sub>	I <sub>oz</sub>	—	±10	μA
Input Leakage Current (Note 2) V <sub>in</sub> = V <sub>DD</sub> or V <sub>SS</sub> V <sub>in</sub> = V <sub>DD</sub> or V <sub>SS</sub> PA[2:0], <u>IRQ</u> , <u>XIRQ</u> MODB/V <sub>STBY</sub>	I <sub>in</sub>	— —	±1 ±10	μA μA
RAM Standby Voltage Power down	V <sub>SB</sub>	2.0	V <sub>DD</sub>	V
RAM Standby Current Power down	I <sub>SB</sub>	—	10	μA
Input Capacitance PA[2:0], PE[7:0], <u>IRQ</u> , <u>XIRQ</u> , EXTAL PA7, PC[7:0], PD[5:0], AS/STRA, MODA/LIR, RESET	C <sub>in</sub>	— —	8 12	pF pF
Output Load Capacitance All Outputs Except PD[4:1] PD[4:1]	C <sub>L</sub>	— —	90 100	pF pF

Characteristic	Symbol	1 MHz	2 MHz	Unit
Maximum Total Supply Current (Note 3) <b>RUN:</b> Single-Chip Mode V <sub>DD</sub> = 5.5 V V <sub>DD</sub> = 3.0 V Expanded Multiplexed Mode V <sub>DD</sub> = 5.5 V V <sub>DD</sub> = 3.0 V	I <sub>DD</sub>	8 4 14 7	15 8 27 14	mA mA mA mA
<b>WAIT:</b> (All Peripheral Functions Shut Down) Single-Chip Mode V <sub>DD</sub> = 5.5 V V <sub>DD</sub> = 3.0 V Expanded Multiplexed Mode V <sub>DD</sub> = 5.5 V V <sub>DD</sub> = 3.0 V	W <sub>IDD</sub>	3 1.5 5 2.5	6 3 10 5	mA mA mA mA
<b>STOP:</b> Single-Chip Mode, No Clocks V <sub>DD</sub> = 5.5 V V <sub>DD</sub> = 3.0 V	S <sub>IDD</sub>	50 25	50 25	μA μA
Maximum Power Dissipation Single-Chip Mode V <sub>DD</sub> = 5.5 V V <sub>DD</sub> = 3.0 V Expanded Multiplexed Mode V <sub>DD</sub> = 5.5 V V <sub>DD</sub> = 3.0 V	P <sub>D</sub>	44 12 77 21	85 24 150 42	mW mW mW mW

NOTES:

1. V<sub>OH</sub> specification for RESET and MODA is not applicable because they are open-drain pins. V<sub>OH</sub> specification not applicable to ports C and D in wired-OR mode.
2. Refer to A/D specification for leakage current for port E.
3. EXTAL is driven with a square wave, and  
t<sub>cyc</sub> = 1000 ns for 1 MHz rating; t<sub>cyc</sub> = 500 ns for 2 MHz rating;  
V<sub>IL</sub> ≤ 0.2 V; V<sub>IH</sub> ≥ V<sub>DD</sub> - 0.2 V; No dc loads.



NOTES:

1. Full test loads are applied during all DC electrical tests and AC timing measurements.
2. During AC timing measurements, inputs are driven to 0.4 volts and  $V_{DD} - 0.8$  volts while timing measurements are taken at the 20% and 70% of  $V_{DD}$  points.

Figure A-1. Test Methods

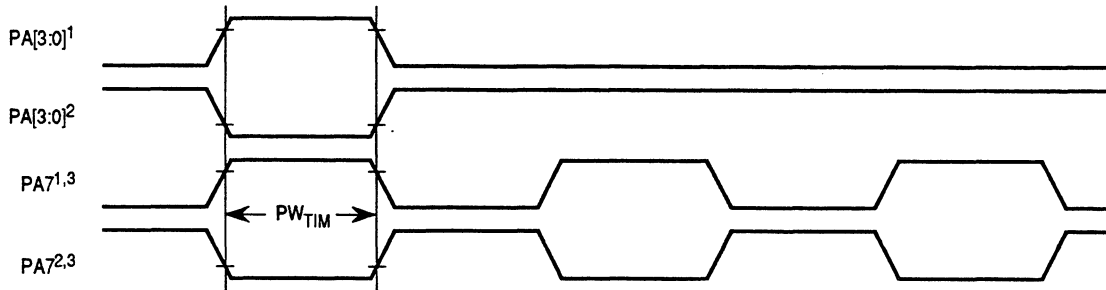
Table A-4a. Control Timing

V<sub>DD</sub> = 3.0 Vdc to 5.5 Vdc, V<sub>SS</sub> = 0 Vdc, T<sub>A</sub> = T<sub>L</sub> to T<sub>H</sub>

Characteristic	Symbol	1.0 MHz		2.0 MHz		Unit
		Min	Max	Min	Max	
Frequency of Operation	f <sub>o</sub>	dc	1.0	dc	2.0	MHz
E-Clock Period	t <sub>cyc</sub>	1000	—	500	—	ns
Crystal Frequency	f <sub>XTAL</sub>	—	4.0	—	8.0	MHz
External Oscillator Frequency	4 f <sub>o</sub>	dc	4.0	dc	8.0	MHz
Processor Control Setup Time t <sub>PCSU</sub> = 1/4 t <sub>cyc</sub> + 75 ns	t <sub>PCSU</sub>	325	—	200	—	ns
Reset Input Pulse Width To Guarantee External Reset Vector Minimum Input Time (Can Be Preempted by Internal Reset)	PW <sub>RSTL</sub>	8 1	— —	8 1	— —	t <sub>cyc</sub> t <sub>cyc</sub>
Mode Programming Setup Time	t <sub>MPS</sub>	2	—	2	—	t <sub>cyc</sub>
Mode Programming Hold Time	t <sub>MPH</sub>	10	—	10	—	ns
Interrupt Pulse Width, $\overline{IRQ}$ Edge-Sensitive Mode PW <sub>IRQ</sub> = t <sub>cyc</sub> + 20 ns	PW <sub>IRQ</sub>	1020	—	520	—	ns
Wait Recovery Startup Time	t <sub>WRS</sub>	—	4	—	4	t <sub>cyc</sub>
Timer Pulse Width, Input Capture Pulse Accumulator Input PW <sub>TIM</sub> = t <sub>cyc</sub> + 20 ns	PW <sub>TIM</sub>	1020	—	520	—	ns

NOTES:

1. RESET is recognized during the first clock cycle it is held low. Internal circuitry then drives the pin low for four clock cycles, releases the pin, and samples the pin level two cycles later to determine the source of the interrupt. Refer to SECTION 5 RESETS AND INTERRUPTS for further detail.
2. All timing is shown with respect to 20% V<sub>DD</sub> and 70% V<sub>DD</sub>, unless otherwise noted.



NOTES:

1. Rising edge sensitive input
2. Falling edge sensitive input
3. Maximum pulse accumulator clocking rate is E-clock frequency divided by 2.

Figure A-2. Timer Inputs

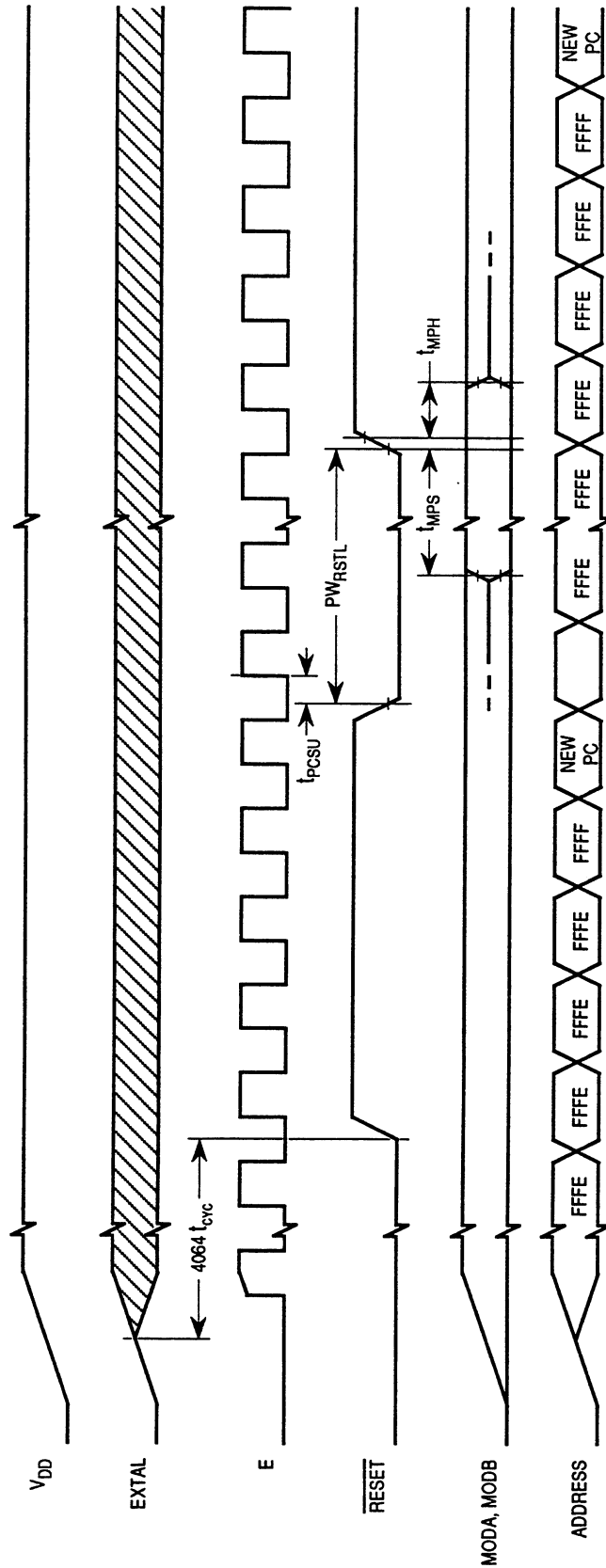
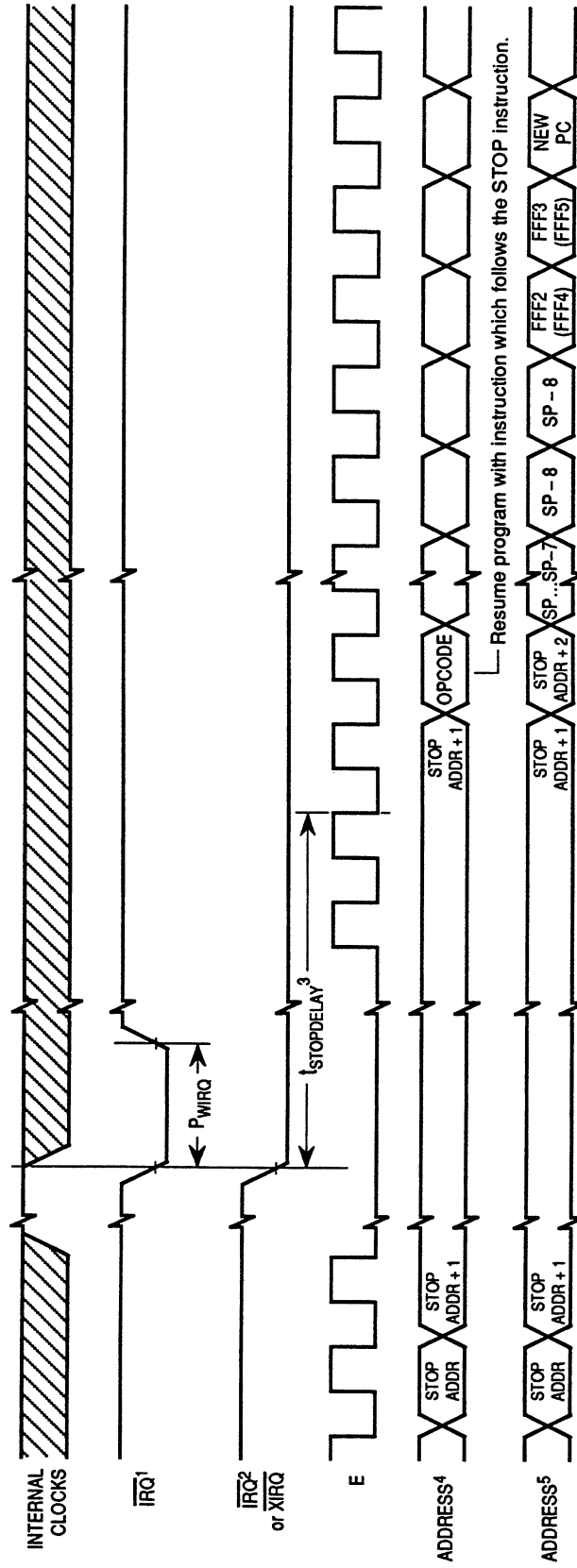


Figure A-3. POR External Reset Timing Diagram

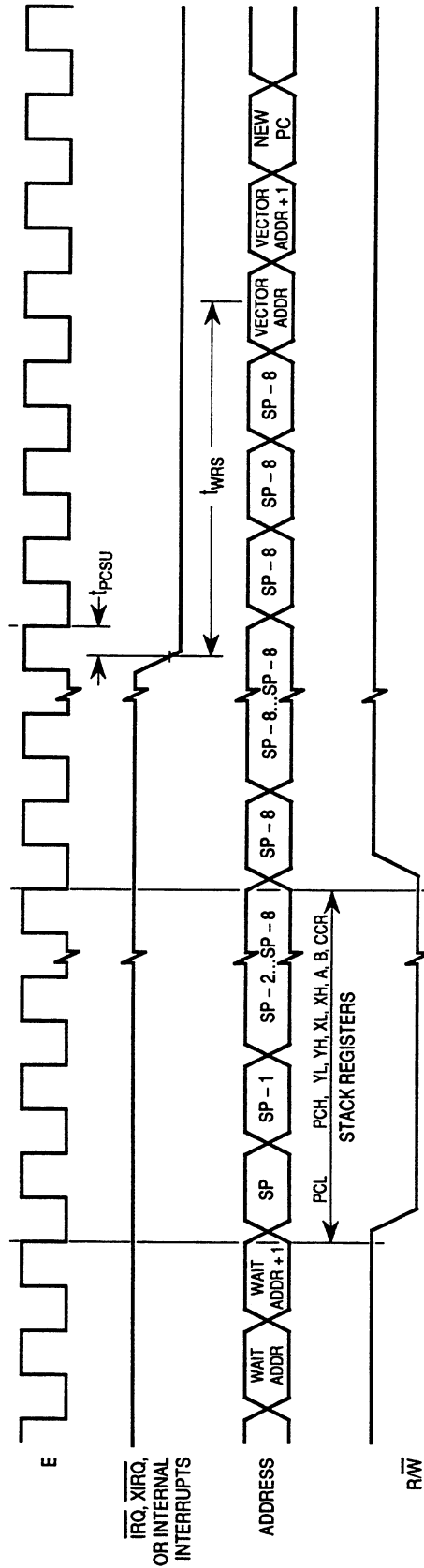


NOTES:

1. Edge Sensitive  $\overline{IRQ}$  pin (IRQE bit = 1)
2. Level sensitive  $\overline{IRQ}$  pin (IRQE bit = 0)
3.  $t_{STOPDELAY} = 4064 t_{CYC}$  if DLY bit = 1 or  $4 t_{CYC}$  if DLY = 0.
4.  $\overline{XIRQ}$  with X bit in CCR = 1.
5.  $\overline{IRQ}$  or  $\overline{XIRQ}$  with X bit in CCR = 0).

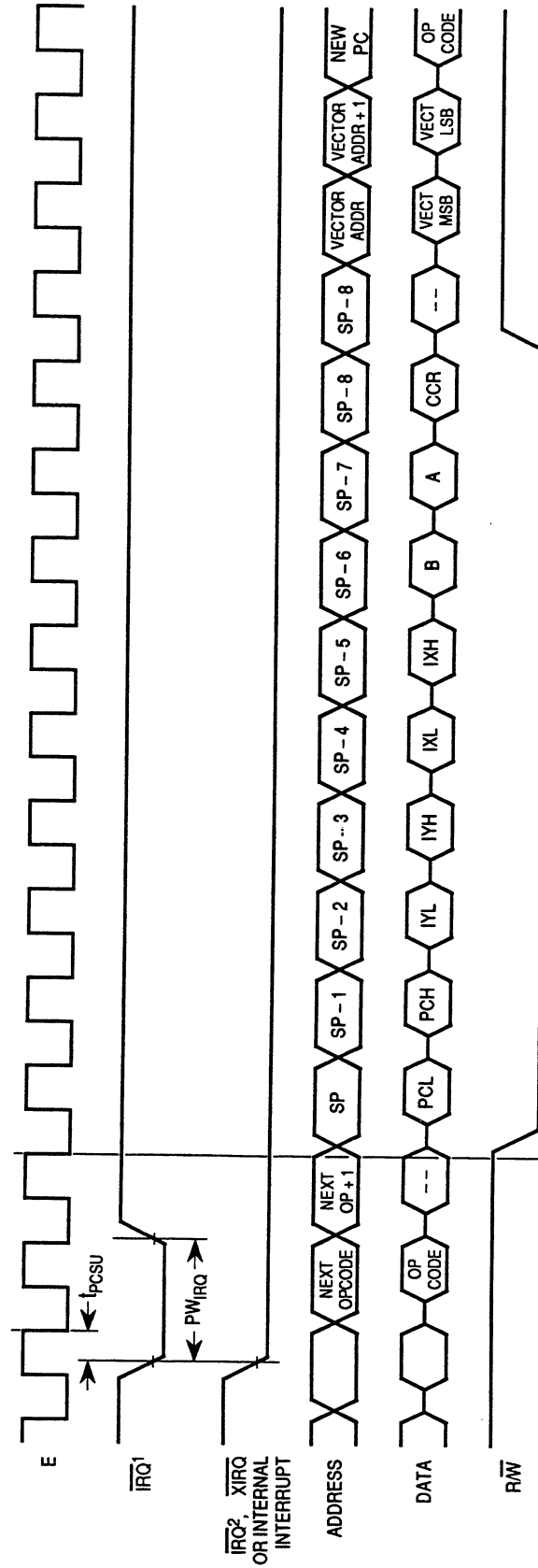
Figure A-4. STOP Recovery Timing Diagram





NOTE:  $\overline{\text{RESET}}$  also causes recovery from WAIT.

Figure A-5. WAIT Recovery from Interrupt Timing Diagram



- NOTES:
1. Edge sensitive  $\overline{IRQ}$  pin (IRQE bit = 1)
  2. Level sensitive  $\overline{IRQ}$  pin (IRQE bit = 0)

Figure A-6. Interrupt Timing Diagram

Table A-5a. Peripheral Port Timing

$V_{DD} = 3.0 \text{ Vdc to } 5.5 \text{ Vdc}$ ,  $V_{SS} = 0 \text{ Vdc}$ ,  $T_A = T_L \text{ to } T_H$

Characteristic	Symbol	1.0 MHz		2.0 MHz		Unit
		Min	Max	Min	Max	
Frequency of Operation (E-Clock Frequency)	$f_o$	dc	1.0	dc	2.0	MHz
E-Clock Period	$t_{cyc}$	1000	—	500	—	ns
Peripheral Data Setup Time MCU Read of Ports A, C, D, and E	$t_{PDSU}$	100	—	100	—	ns
Peripheral Data Hold Time MCU Read of Ports A, C, D, and E	$t_{PDH}$	50	—	50	—	ns
Delay Time, Peripheral Data Write MCU Write to Port A MCU Writes to Ports B, C, and D	$t_{PWD}$	— —	250 400	— —	250 275	ns ns
$t_{PWD} = 1/4 t_{cyc} + 150 \text{ ns}$						
Input Data Setup Time (Port C)	$t_{IS}$	60	—	60	—	ns
Input Data Hold Time (Port C)	$t_{IH}$	100	—	100	—	ns
Delay Time, E Fall to STRB $t_{DEB} = 1/4 t_{cyc} + 150 \text{ ns}$	$t_{DEB}$	—	400	—	275	ns
Setup Time, STRA Asserted to E Fall (Note 1)	$t_{AES}$	0	—	0	—	ns
Delay Time, STRA Asserted to Port C Data Output Valid	$t_{PCD}$	—	100	—	100	ns
Hold Time, STRA Negated to Port C Data	$t_{PCH}$	10	—	10	—	ns
Three-State Hold Time	$t_{PCZ}$	—	150	—	150	ns

NOTES:

1. If this setup time is met, STRB acknowledges in the next cycle. If it is not met, the response may be delayed one more cycle.
2. Port C and D timing is valid for active drive (CWOM and DWOM bits not set in PIOC and SPCR registers respectively).
3. All timing is shown with respect to 20%  $V_{DD}$  and 70%  $V_{DD}$ , unless otherwise noted.

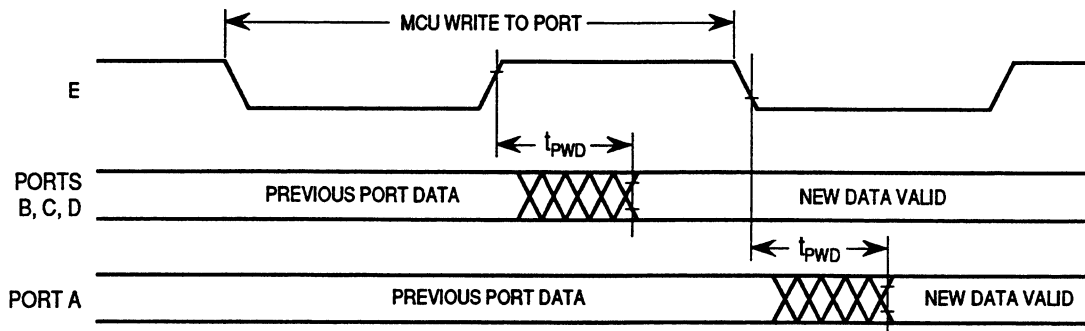
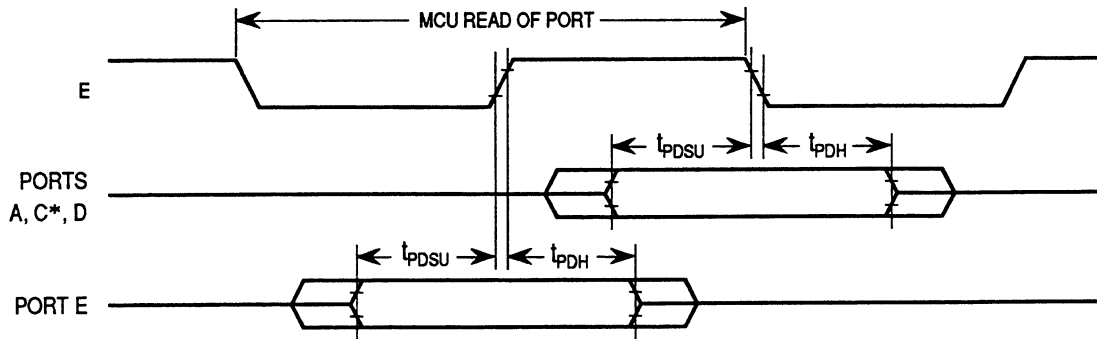


Figure A-7. Port Write Timing Diagram



\* FOR NON-LATCHED OPERATION OF PORT C

Figure A-8. Port Read Timing Diagram

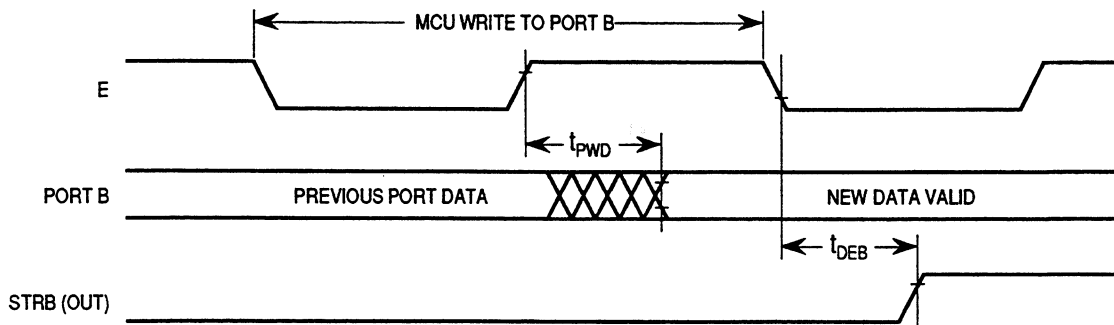


Figure A-9. Simple Output Strobe Timing Diagram

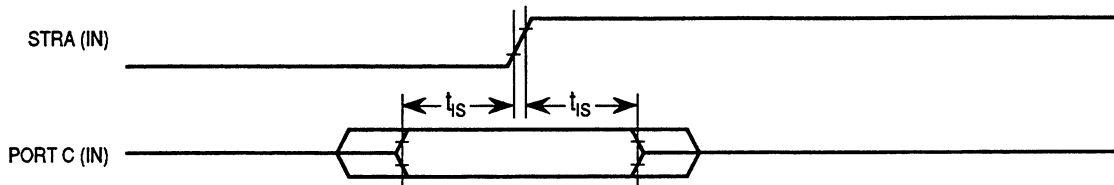
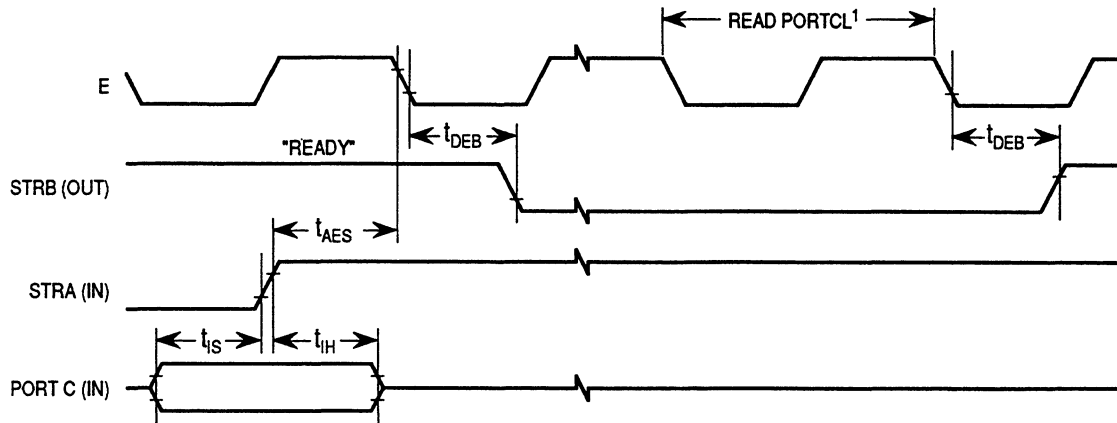


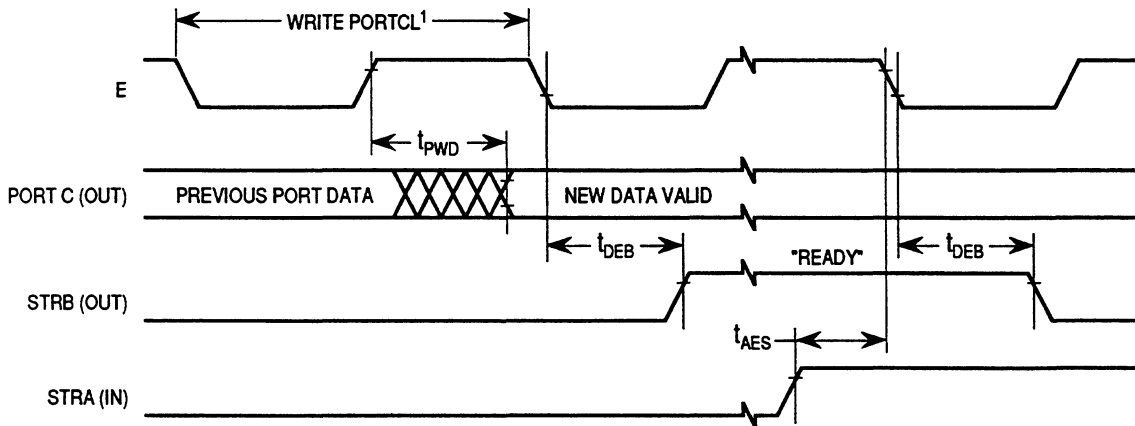
Figure A-10. Simple Input Strobe Timing Diagram



NOTES:

1. After reading PIOC with STAF set
2. Figure shows rising edge STRA (EGA = 1) and high true STRB (INVB = 1).

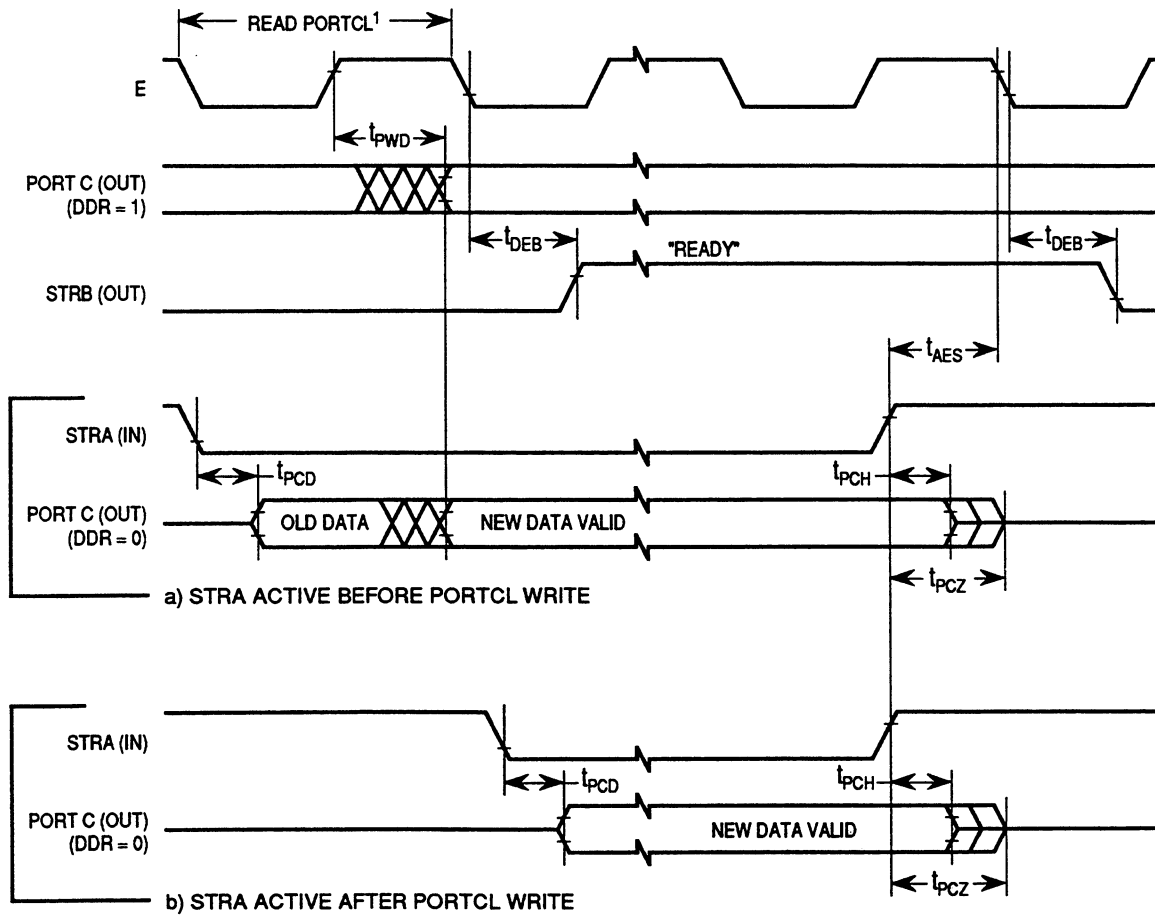
Figure A-11. Port C Input Handshake Timing Diagram



NOTES:

1. After reading PIOC with STAF set
2. Figure shows rising edge STRA (EGA = 1) and high true STRB (INVB = 1).

Figure A-12. Port C Output Handshake Timing Diagram



NOTES:

1. After reading PIOC with STAF set
2. Figure shows rising edge STRA (EGA = 1) and high true STRB (INVB = 1).

Figure A-13. Three-State Variation of Output Handshake Timing Diagram (STRA Enables Output Buffer)

**Table A-6a. Analog-To-Digital Converter Characteristics**

$V_{DD} = 3.0 \text{ Vdc}$  to  $5.5 \text{ Vdc}$ ,  $V_{SS} = 0 \text{ Vdc}$ ,  $T_A = T_L$  to  $T_H$ ,  $750 \text{ kHz} \leq E \leq 2.0 \text{ MHz}$ , unless otherwise noted

Characteristic	Parameter	Min	Absolute	Max	Unit
Resolution	Number of Bits Resolved by A/D Converter	—	8	—	Bits
Non-Linearity	Maximum Deviation from the Ideal A/D Transfer Characteristics	—	—	$\pm 1$	LSB
Zero Error	Difference Between the Output of an Ideal and an Actual for Zero Input Voltage	—	—	$\pm 1$	LSB
Full Scale Error	Difference Between the Output of an Ideal and an Actual A/D for Full-Scale Input Voltage	—	—	$\pm 1$	LSB
Total Unadjusted Error	Maximum Sum of Non-Linearity, Zero Error, and Full-Scale Error	—	—	$\pm 1 \frac{1}{2}$	LSB
Quantization Error	Uncertainty Because of Converter Resolution	—	—	$\pm \frac{1}{2}$	LSB
Absolute Accuracy	Difference Between the Actual Input Voltage and the Full-Scale Weighted Equivalent of the Binary Output Code, All Error Sources Included	—	—	$\pm 2$	LSB
Conversion Range	Analog Input Voltage Range	$V_{RL}$	—	$V_{RH}$	V
$V_{RH}$	Maximum Analog Reference Voltage	$V_{RL}$	—	$V_{DD} + 0.1$	V
$V_{RL}$	Minimum Analog Reference Voltage	$V_{SS} - 0.1$	—	$V_{RH}$	V
$\Delta V_R$	Minimum Difference between $V_{RH}$ and $V_{RL}$	3.0	—	—	V
Conversion Time	Total Time to Perform a Single Analog-to-Digital Conversion:				
		E Clock	—	32	—
	Internal RC Oscillator	—	—	$t_{cyc} + 32$	$\mu s$
Monotonicity	Conversion Result Never Decreases with an Increase in Input Voltage and has no Missing Codes		Guaranteed		
Zero Input Reading	Conversion Result when $V_{in} = V_{RL}$	00	—	—	Hex
Full Scale Reading	Conversion Result when $V_{in} = V_{RH}$	—	—	FF	Hex
Sample Acquisition Time	Analog Input Acquisition Sampling Time:				
		E Clock	—	12	—
	Internal RC Oscillator	—	—	12	$\mu s$
Sample/Hold Capacitance	Input Capacitance During Sample PE[7:0]	—	20 (Typ)	—	pF
Input Leakage	Input Leakage on A/D Pins PE[7:0]	—	—	400	nA
	$V_{RL}, V_{RH}$	—	—	1.0	$\mu A$

NOTES:

1. Source impedances greater than 10 k $\Omega$  affect accuracy adversely because of input leakage.

Table A-7a. Expansion Bus Timing

V<sub>DD</sub> = 3.0 Vdc to 5.5 Vdc, V<sub>SS</sub> = 0 Vdc, T<sub>A</sub> = T<sub>L</sub> to T<sub>H</sub>

Num	Characteristic	Symbol	1.0 MHz		2.0 MHz		Unit
			Min	Max	Min	Max	
	Frequency of Operation (E-Clock Frequency)	f <sub>o</sub>	dc	1.0	dc	2.0	MHz
1	Cycle Time	t <sub>cyc</sub>	1000	—	500	—	ns
2	Pulse Width, E Low PW <sub>EL</sub> = 1/2 t <sub>cyc</sub> - 25 ns	PW <sub>EL</sub>	475	—	225	—	ns
3	Pulse Width, E High PW <sub>EH</sub> = 1/2 t <sub>cyc</sub> - 30 ns	PW <sub>EH</sub>	470	—	220	—	ns
4A	E and AS Rise Time	t <sub>r</sub>	—	25	—	25	ns
4B	E and AS Fall Time	t <sub>f</sub>	—	25	—	25	ns
9	Address Hold Time t <sub>AH</sub> = 1/8 t <sub>cyc</sub> - 30 ns (Note 1a)	t <sub>AH</sub>	95	—	33	—	ns
12	Non-Muxed Address Valid Time to E Rise t <sub>AV</sub> = PW <sub>EL</sub> - (t <sub>ASD</sub> + 80 ns) (Note 1a)	t <sub>AV</sub>	275	—	88	—	ns
17	Read Data Setup Time	t <sub>DSR</sub>	30	—	30	—	ns
18	Read Data Hold Time (Max = t <sub>MAD</sub> )	t <sub>DHR</sub>	0	150	0	88	ns
19	Write Data Delay Time t <sub>DDW</sub> = 1/8 t <sub>cyc</sub> + 70 ns (Note 1a)	t <sub>DDW</sub>	—	195	—	133	ns
21	Write Data Hold Time t <sub>DHW</sub> = 1/8 t <sub>cyc</sub> - 30 ns (Note 1a)	t <sub>DHW</sub>	95	—	33	—	ns
22	Muxed Address Valid Time to E Rise t <sub>AVM</sub> = PW <sub>EL</sub> - (t <sub>ASD</sub> + 90 ns) (Note 1a)	t <sub>AVM</sub>	265	—	78	—	ns
24	Muxed Address Valid Time to AS Fall t <sub>ASL</sub> = PW <sub>ASH</sub> - 70 ns	t <sub>ASL</sub>	150	—	25	—	ns
25	Muxed Address Hold Time t <sub>AHL</sub> = 1/8 t <sub>cyc</sub> - 30 ns (Note 1b)	t <sub>AHL</sub>	95	—	33	—	ns
26	Delay Time, E to AS Rise t <sub>ASD</sub> = 1/8 t <sub>cyc</sub> - 5 ns (Note 1a)	t <sub>ASD</sub>	120	—	58	—	ns
27	Pulse Width, AS High PW <sub>ASH</sub> = 1/4 t <sub>cyc</sub> - 30 ns	PW <sub>ASH</sub>	220	—	95	—	ns
28	Delay Time, AS to E Rise t <sub>ASED</sub> = 1/8 t <sub>cyc</sub> - 5 ns (Note 1b)	t <sub>ASED</sub>	120	—	58	—	ns
29	MPU Address Access Time (Note 1a) t <sub>ACCA</sub> = t <sub>cyc</sub> - (PW <sub>EL</sub> - t <sub>AVM</sub> ) - t <sub>DSR</sub> - t <sub>f</sub>	t <sub>ACCA</sub>	735	—	298	—	ns
35	MPU Access Time t <sub>ACCE</sub> = PW <sub>EH</sub> - t <sub>DSR</sub>	t <sub>ACCE</sub>	—	440	—	190	ns
36	Muxed Address Delay (Previous Cycle MPU Read) t <sub>MAD</sub> = t <sub>ASD</sub> + 30 ns (Note 1a)	t <sub>MAD</sub>	150	—	88	—	ns

NOTES:

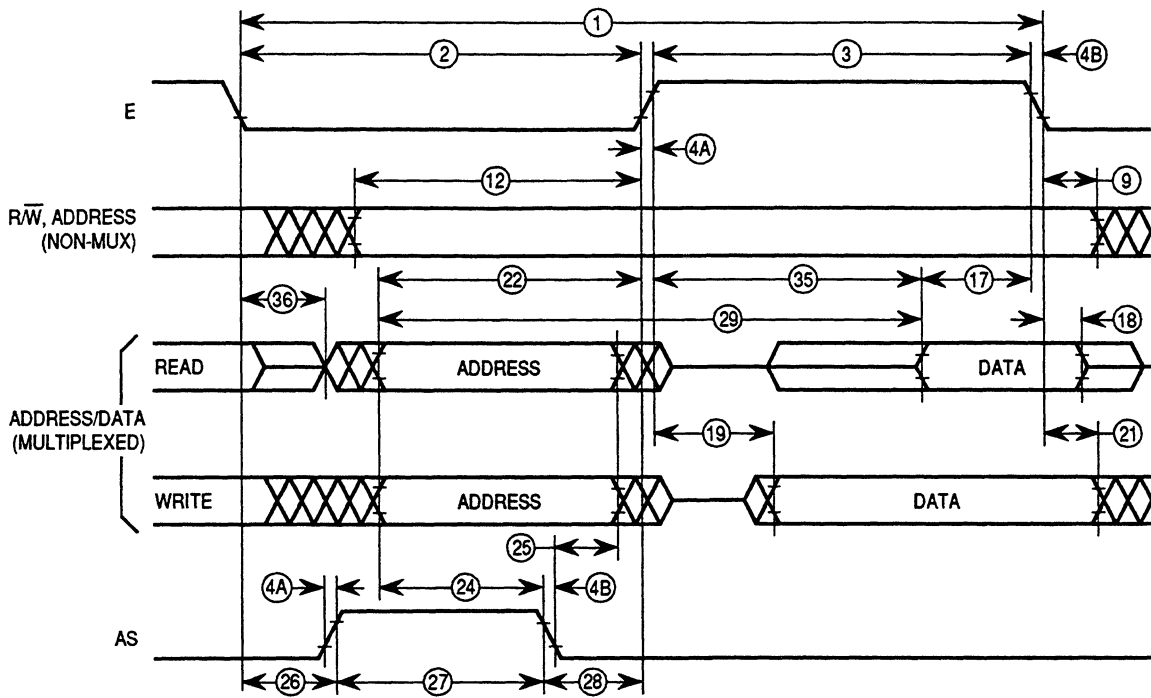
- Input clocks with duty cycles other than 50% affect bus performance. Timing parameters affected by input clock duty cycle are identified by (a) and (b). To recalculate the approximate bus timing values, substitute the following expressions in place of 1/8 t<sub>cyc</sub> in the above formulas, where applicable:
  - (1-DC) × 1/4 t<sub>cyc</sub>
  - DC × 1/4 t<sub>cyc</sub>

Where:

DC is the decimal value of duty cycle percentage (high time).

- All timing is shown with respect to 20% V<sub>DD</sub> and 70% V<sub>DD</sub>, unless otherwise noted.





NOTE: Measurement points shown are 20% and 70% of  $V_{DD}$ .

Figure A-14. Multiplexed Expansion Bus Timing Diagram

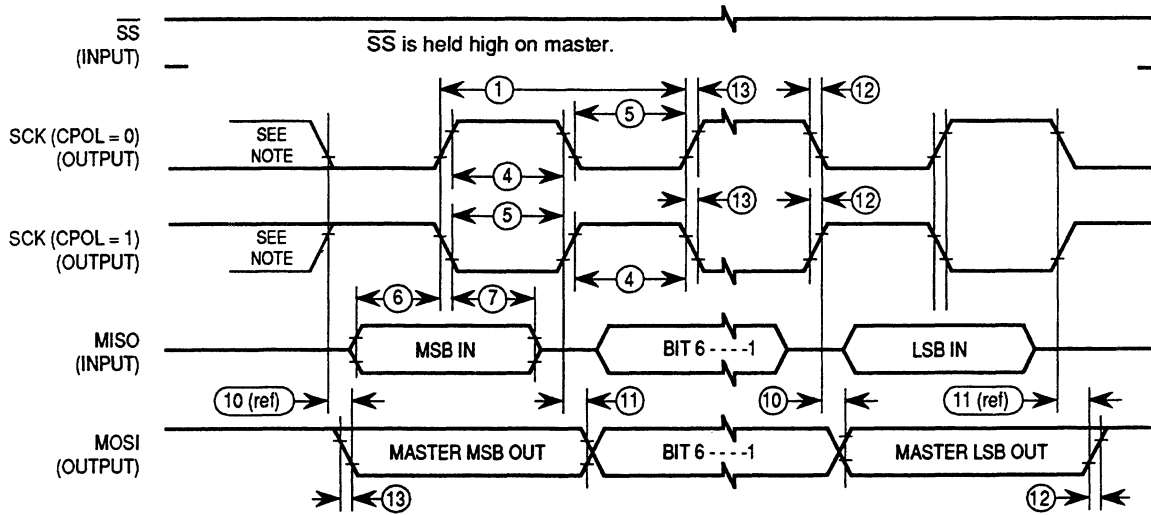
Table A-8a. Serial Peripheral Interface Timing

V<sub>DD</sub> = 3.0 Vdc to 5.5 Vdc, V<sub>SS</sub> = 0 Vdc, T<sub>A</sub> = T<sub>L</sub> to T<sub>H</sub>

Num	Characteristic	Symbol	1.0 MHz		2.0 MHz		Unit
			Min	Max	Min	Max	
	Operating Frequency Master Slave	f <sub>op(m)</sub> f <sub>op(s)</sub>	dc dc	0.5 1.0	dc dc	0.5 2.0	f <sub>op</sub> MHz
1	Cycle Time Master Slave	t <sub>cyc(m)</sub> t <sub>cyc(s)</sub>	2.0 1000	— —	2.0 500	— —	t <sub>cyc</sub> ns
2	Enable Lead Time Master (Note 2) Slave	t <sub>lead(m)</sub> t <sub>lead(s)</sub>	— 500	— —	— 250	— —	ns ns
3	Enable Lag Time Master (Note 2) Slave	t <sub>lag(m)</sub> t <sub>lag(s)</sub>	— 500	— —	— 250	— —	ns ns
4	Clock (SCK) High Time Master Slave	t <sub>w(SCKH)m</sub> t <sub>w(SCKH)s</sub>	680 380	— —	340 190	— —	ns ns
5	Clock (SCK) Low Time Master Slave	t <sub>w(SCKL)m</sub> t <sub>w(SCKL)s</sub>	680 380	— —	340 190	— —	ns ns
6	Data Setup Time (Inputs) Master Slave	t <sub>su(m)</sub> t <sub>su(s)</sub>	100 100	— —	100 100	— —	ns ns
7	Data Hold Time (Inputs) Master Slave	t <sub>h(m)</sub> t <sub>h(s)</sub>	100 100	— —	100 100	— —	ns ns
8	Access Time (Time to Data Active from High-Imp. State) Slave	t <sub>a</sub>	0	120	0	120	ns
9	Disable Time (Hold Time to High-Impedance State) Slave	t <sub>dis</sub>	—	240	—	240	ns
10	Data Valid (After Enable Edge) (Note 3)	t <sub>v(s)</sub>	—	240	—	240	ns
11	Data Hold Time (Outputs) (After Enable Edge)	t <sub>ho</sub>	0	—	0	—	ns
12	Rise Time (20% V <sub>DD</sub> to 70% V <sub>DD</sub> , C <sub>L</sub> = 200 pF) SPI Outputs (SCK, MOSI, and MISO) SPI Inputs (SCK, MOSI, MISO, and SS)	t <sub>rm</sub> t <sub>rs</sub>	— —	100 2.0	— —	100 2.0	ns μs
13	Fall Time (70% V <sub>DD</sub> to 20% V <sub>DD</sub> , C <sub>L</sub> = 200 pF) SPI Outputs (SCK, MOSI, and MISO) SPI Inputs (SCK, MOSI, MISO, and SS)	t <sub>fm</sub> t <sub>fs</sub>	— —	100 2.0	— —	100 2.0	ns μs

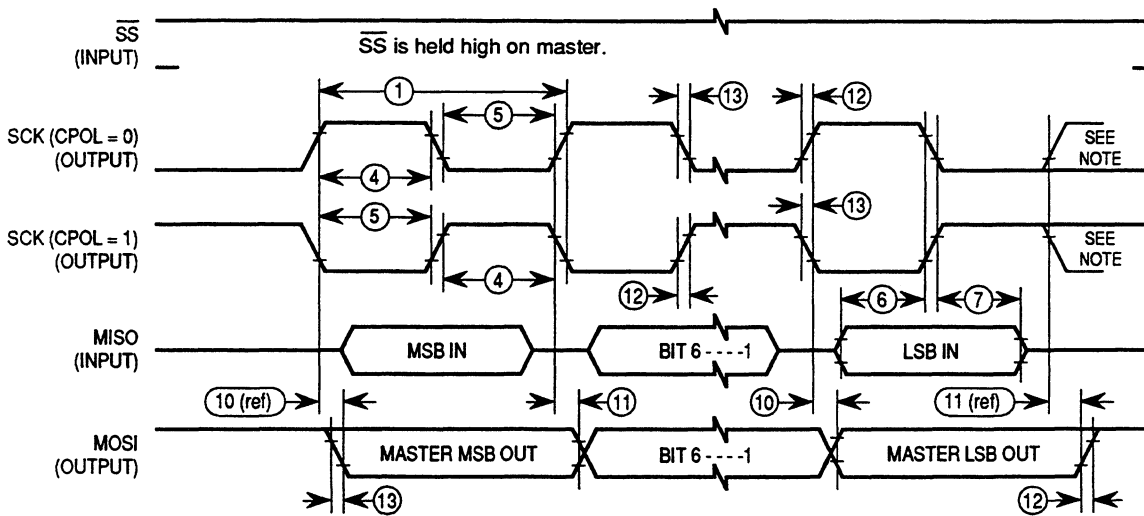
NOTES:

1. All timing is shown with respect to 20% V<sub>DD</sub> and 70% V<sub>DD</sub>, unless otherwise noted.
2. Signal production depends on software.
3. Assumes 100 pF load on all SPI pins.



NOTE: This first clock edge is generated internally but is not seen at the SCK pin.

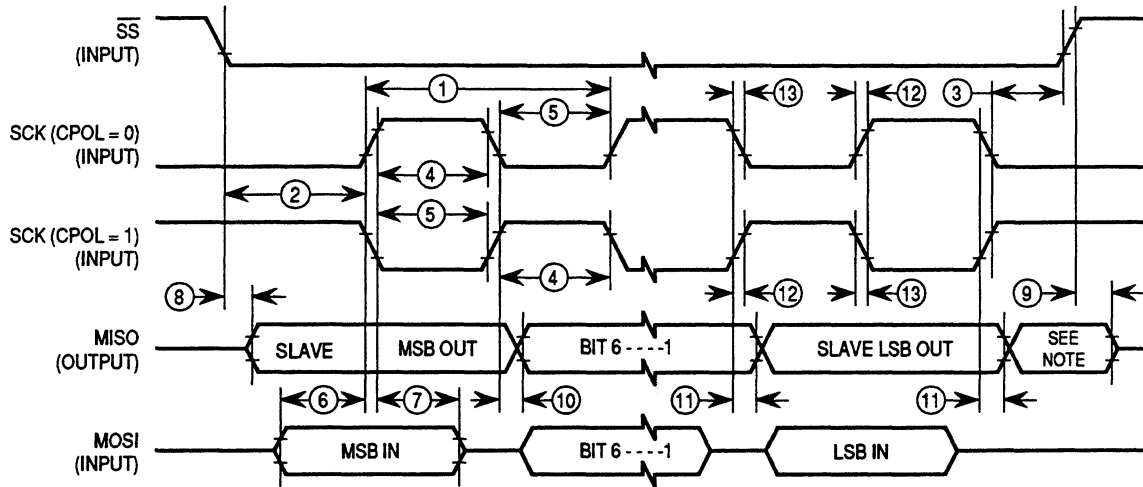
a) SPI Master Timing (CPHA = 0)



NOTE: This last clock edge is generated internally but is not seen at the SCK pin.

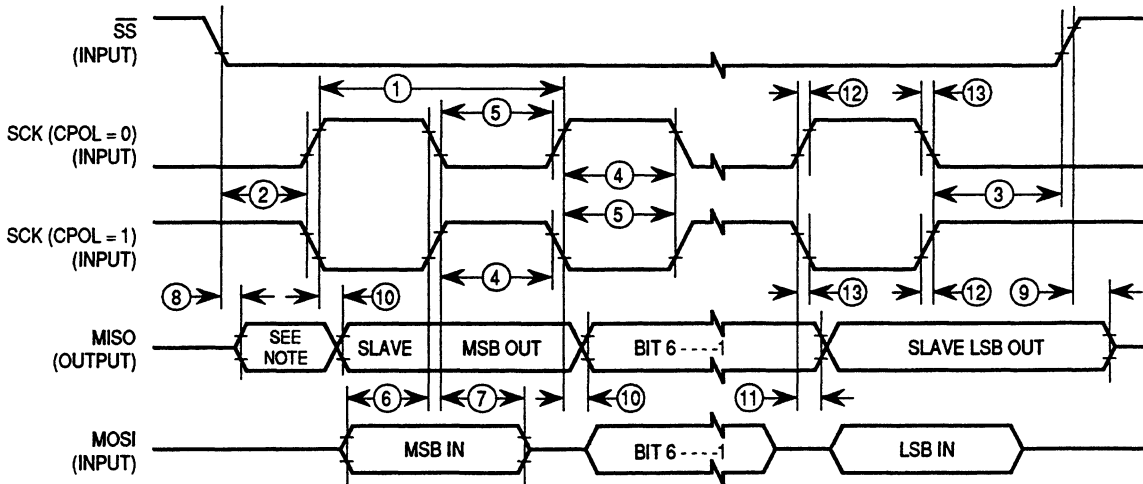
b) SPI Master Timing (CPHA = 1)

Figure A-15. SPI Timing Diagram (1 of 2)



NOTE: Not defined but normally MSB of character just received.

a) SPI Slave Timing (CPHA = 0)



NOTE: Not defined but normally LSB of character previously transmitted.

b) SPI Slave Timing (CPHA = 1)

Figure A-15. SPI Timing Diagram (2 of 2)

**Table A-9a. EEPROM Characteristics**

$V_{DD} = 3.0 \text{ Vdc to } 5.5 \text{ Vdc}$ ,  $V_{SS} = 0 \text{ Vdc}$ ,  $T_A = T_L \text{ to } T_H$

Characteristic		Temperature Range - 20 to 70° C	Unit
Programming Time (Note 1)	3 V, E ≤ 2.0 MHz, RCO Enabled	25	ms
	5 V, E ≤ 2.0 MHz, RCO Enabled	10	ms
Erase Time (Byte, Row and Bulk) (Note 1)	3 V, E ≤ 2.0 MHz, RCO Enabled	25	ms
	5 V, E ≤ 2.0 MHz, RCO Enabled	10	ms
Write/Erase Endurance (Note 2)		10,000	Cycles
Data Retention (Note 2)		10	Years

**NOTES:**

1. The RC oscillator (RCO) must be enabled (by setting the CSEL bit in the OPTION register) for EEPROM programming and erasure.
2. Refer to Reliability Monitor Report (current quarterly issue) for current failure rate information.





# Freescale Semiconductor, Inc.

## Home Page:

[www.freescale.com](http://www.freescale.com)

## email:

[support@freescale.com](mailto:support@freescale.com)

## USA/Europe or Locations Not Listed:

Freescale Semiconductor  
Technical Information Center, CH370  
1300 N. Alma School Road  
Chandler, Arizona 85224  
(800) 521-6274  
480-768-2130

[support@freescale.com](mailto:support@freescale.com)

## Europe, Middle East, and Africa:

Freescale Halbleiter Deutschland GmbH  
Technical Information Center  
Schatzbogen 7  
81829 Muenchen, Germany  
+44 1296 380 456 (English)  
+46 8 52200080 (English)  
+49 89 92103 559 (German)  
+33 1 69 35 48 48 (French)  
[support@freescale.com](mailto:support@freescale.com)

## Japan:

Freescale Semiconductor Japan Ltd.  
Headquarters  
ARCO Tower 15F  
1-8-1, Shimo-Meguro, Meguro-ku  
Tokyo 153-0064, Japan  
0120 191014  
+81 2666 8080  
[support.japan@freescale.com](mailto:support.japan@freescale.com)

## Asia/Pacific:

Freescale Semiconductor Hong Kong Ltd.  
Technical Information Center  
2 Dai King Street  
Tai Po Industrial Estate,  
Tai Po, N.T., Hong Kong  
+800 2666 8080  
[support.asia@freescale.com](mailto:support.asia@freescale.com)

## For Literature Requests Only:

Freescale Semiconductor  
Literature Distribution Center  
P.O. Box 5405  
Denver, Colorado 80217  
(800) 441-2447  
303-675-2140  
Fax: 303-675-2150  
[LDCForFreescaleSemiconductor@hibbertgroup.com](mailto:LDCForFreescaleSemiconductor@hibbertgroup.com)

RoHS-compliant and/or Pb- free versions of Freescale products have the functionality and electrical characteristics of their non-RoHS-compliant and/or non-Pb- free counterparts. For further information, see <http://www.freescale.com> or contact your Freescale sales representative.

For information on Freescale's Environmental Products program, go to <http://www.freescale.com/epp>.

Information in this document is provided solely to enable system and software implementers to use Freescale Semiconductor products. There are no express or implied copyright licenses granted hereunder to design or fabricate any integrated circuits or integrated circuits based on the information in this document. Freescale Semiconductor reserves the right to make changes without further notice to any products herein. Freescale Semiconductor makes no warranty, representation or guarantee regarding the suitability of its products for any particular purpose, nor does Freescale Semiconductor assume any liability arising out of the application or use of any product or circuit, and specifically disclaims any and all liability, including without limitation consequential or incidental damages. "Typical" parameters which may be provided in Freescale Semiconductor data sheets and/or specifications can and do vary in different applications and actual performance may vary over time. All operating parameters, including "Typicals" must be validated for each customer application by customer's technical experts. Freescale Semiconductor does not convey any license under its patent rights nor the rights of others. Freescale Semiconductor products are not designed, intended, or authorized for use as components in systems intended for surgical implant into the body, or other applications intended to support or sustain life, or for any other application in which the failure of the Freescale Semiconductor product could create a situation where personal injury or death may occur. Should Buyer purchase or use Freescale Semiconductor products for any such unintended or unauthorized application, Buyer shall indemnify and hold Freescale Semiconductor and its officers, employees, subsidiaries, affiliates, and distributors harmless against all claims, costs, damages, and expenses, and reasonable attorney fees arising out of, directly or indirectly, any claim of personal injury or death associated with such unintended or unauthorized use, even if such claim alleges that Freescale Semiconductor was negligent regarding the design or manufacture of the part.



For More Information On This Product,

Go to: [www.freescale.com](http://www.freescale.com)

MC68L11A8/D

