

### Common mode Noise Filter Array

Type: **EXC28CG**



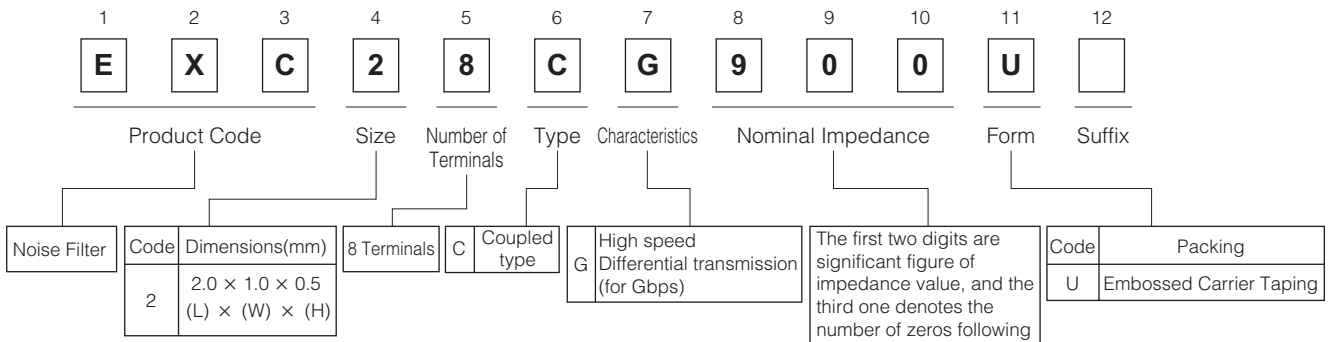
#### ■ Features

- 2 Common mode noise filters in one package
- Small size and low-profile(L 2.0 mm×W 1.0 mm×H 0.5 mm)
- The 3 GHz or wider signal pass band prevents rounding of transmitted signal waveforms.
- The TDR value is controlled to 100 Ω (typ.), preventing transmission signal reflection
- The filter passed the HDMI eye pattern test, and was improved against jitters, phase shifting, and other waveform deformations.
- Reduce the common mode noise and reform the signal wave by high-coupled inductors
- Magnetic shield type

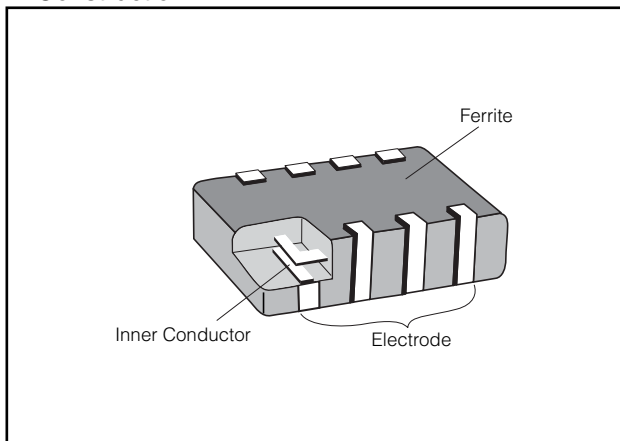
#### ■ Recommended Applications

- HDMI data lines such as TV, STB, DVD, DVC.
- S-ATA data lines such as PCs , HDD.

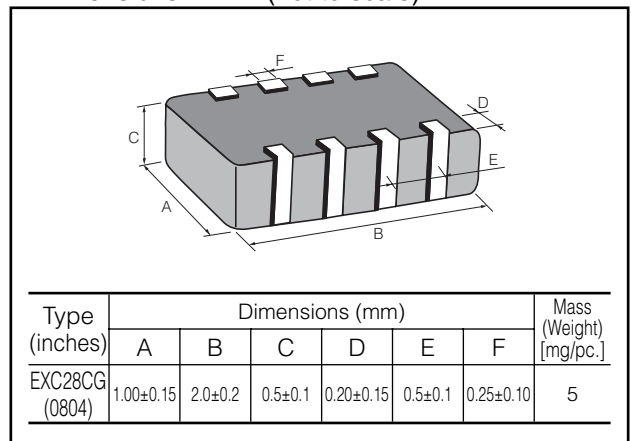
#### ■ Explanation of Part Numbers



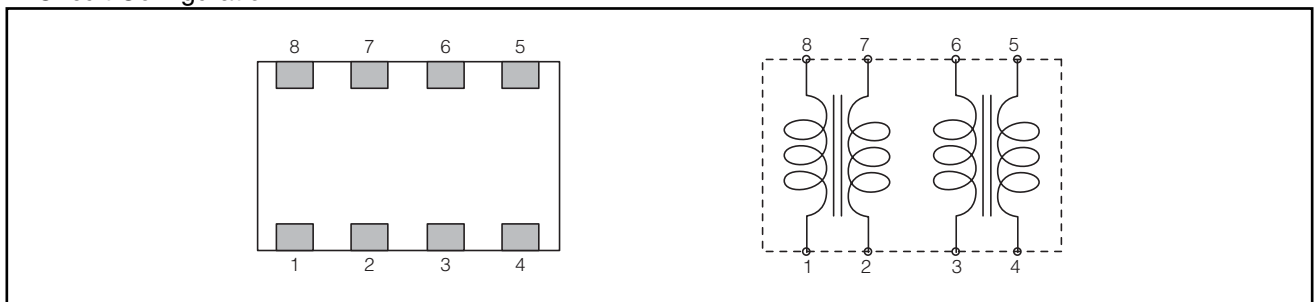
#### ■ Construction



#### ■ Dimensions in mm (not to scale)



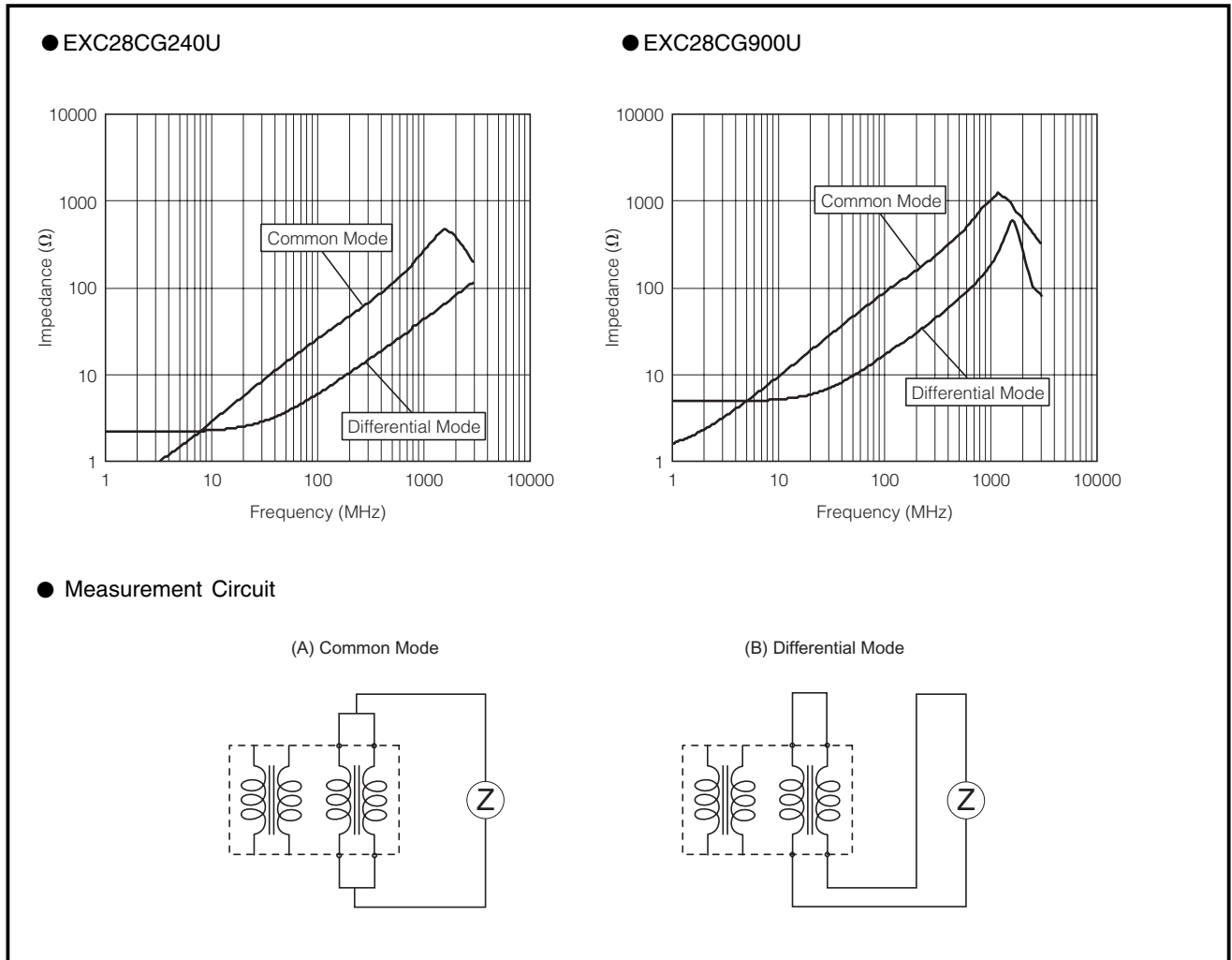
#### ■ Circuit Configuration



### ■ Ratings

Part Number	Impedance ( $\Omega$ ) at 100 MHz		Rated Voltage (V DC)	Rated Current (mA DC)	DC Resistance ( $\Omega$ )max.
	Common Mode	Differential Mode			
EXC28CG240U	24 $\Omega$ $\pm$ 25 %	15 $\Omega$ max.	5	160	1.5
EXC28CG900U	90 $\Omega$ $\pm$ 25 %	17 $\Omega$ max.	5	130	3.0

### ■ Impedance Characteristics (Typical)



■ Packaging Methods(Taping) and Recommended Land Pattern Design

Refer 126 page.

■ Recommended Soldering Conditions and  $\Delta$ Safety Precautions

Refer 127 page.