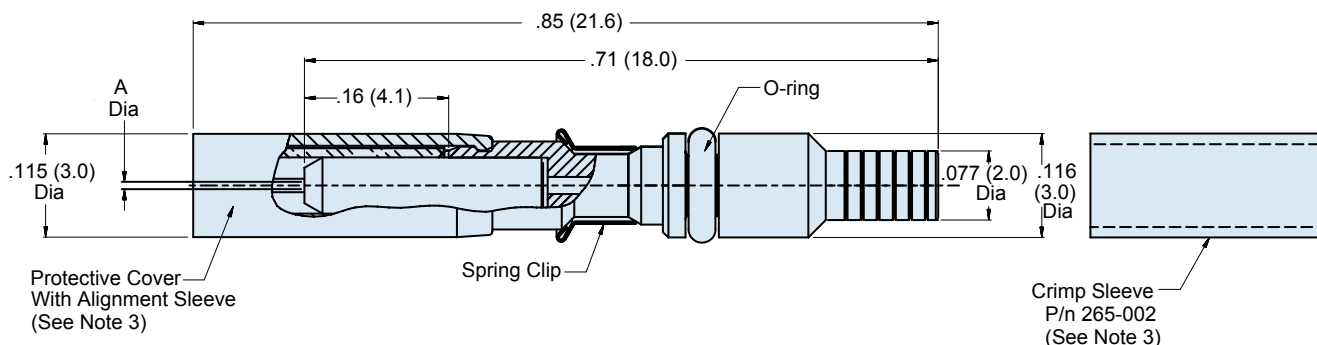
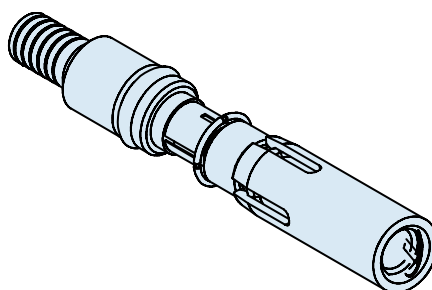


181-011
Fiber Optic Socket Terminus
Size 16 Front Release
with Protective Cover Alignment Sleeve

181-011-126

Product Series
Basic Number
Dash Number
(Table I)



APPLICATION NOTES

1. Assembly packaged in plastic bag and tag identified with manufacturer's name and part number.
2. Material/Finish:
Ferrule: Zirconia Ceramic/N.A.
Protective Cover: Spring Alloy
Terminus Assembly: Stainless Steel/Passivate
Spring Material: Stainless Steel Passivate
Spring Clip: Spring Alloy
O-Ring: Fluorosilicone
Crimp Sleeve: Brass Alloy/Nickel
3. Alignment Sleeve with Protective Cover and Crimp Sleeve may be ordered separately (Table II).
4. Consult factory for termination and assembly tools/procedures.
5. Metric dimensions (mm) are in parentheses.

181-011
Fiber Optic Socket Terminus
Size 16 Front Release
with Protective Cover Alignment Sleeve



Custom
Connector
System

TABLE I: DASH NUMBER

Assembly Dash No.	Fiber Size Core/Cladding	A Dia (mm)
125	9/125 (Singlemode)	.125
126	50/125	.126
126	62.5/125	.126
142	100/140	.142
156	62.5/125/155 (Polyimide)	.156
175	100/140/172 (Polyimide)	.175
233	200/225	.233
236	200/230	.236
280	200/280	.286
440	400/440	.448

TABLE II: TERMINUS ACCESSORIES

Assembly Dash No.	Terminus Accessories
181-011-S	Protective Cover with Ceramic Alignment Sleeve
181-011-K	Protective Cover with Stainless Steel Alignment Sleeve
182-005S	Socket Terminus Polishing Tool
265-002	Crimp Sleeve
182-015	Removal Tool
182-016	Alignment Sleeve Insertion/Removal Tool
182-014	Insertion Tool, 90°
182-013	Insertion Tool, Straight
182-012	Crimp Tool