

## QG® PART NUMBERING SYSTEM

Each character (or absence thereof) in the part numbers

Character	Description
E	Series designator
3	3 pins or contacts
*	M – male connector; F – female connector
QG	Denotes insert only
H	Denotes housing only
B housing)	Black housing (absence of 'B' denotes satin-nickel)
RA denote	Right-angle PC terminals (absence of 'RA' or 'ST' denote conical spring solder terminals)
ST	Straight PC terminals (absence of 'ST' or 'RA' denote conical spring solder terminals)



### RELEASE INSERT

In two simple steps, inserts can be released while housing stays fastened to the panel.

1. With a small screwdriver, twist insert locking screw from front of insert.
2. Remove insert from the rear of the housing.

### TERMINALS

Four terminations are available on E Series receptacles:

1. Conical Spring Solder terminals – conical spring on each pin holds wire in place providing constant pressure during soldering process. This effectively acts as a third hand, assuring a high quality solder termination. Housing mounts to panel.
2. Straight PC terminals – direct termination to PC board. Housing mounts to panel.
3. Right-angle PC terminals – direct termination to PC board at a right-angle. Housing mounts to panel.

## COMPLETE-CONNECTOR-ASSEMBLIES SATIN NICKEL HOUSING (solder cup version only)

Part Number	Terminals	Locking or Non-Locking	Contacts	Housing	Insert	Housing	Type
E3FSC	Solder			Satin	E3FSCQG	EFHB	F

## COMPLETE-CONNECTOR-ASSEMBLIES BLACK HOUSING (solder cup version only)

Part Number	Terminals	Locking or Non-Locking	Contacts	Housing	Insert	Housing	Type
E3FSCB	Solder Cup	Locking	Silver	Black	E3FSCQG	EFHB	F
E3MSCB					E3MSCQG	EMHB	M
E3FSCBAU	Solder				E3FSCAUQG	FFHB	F

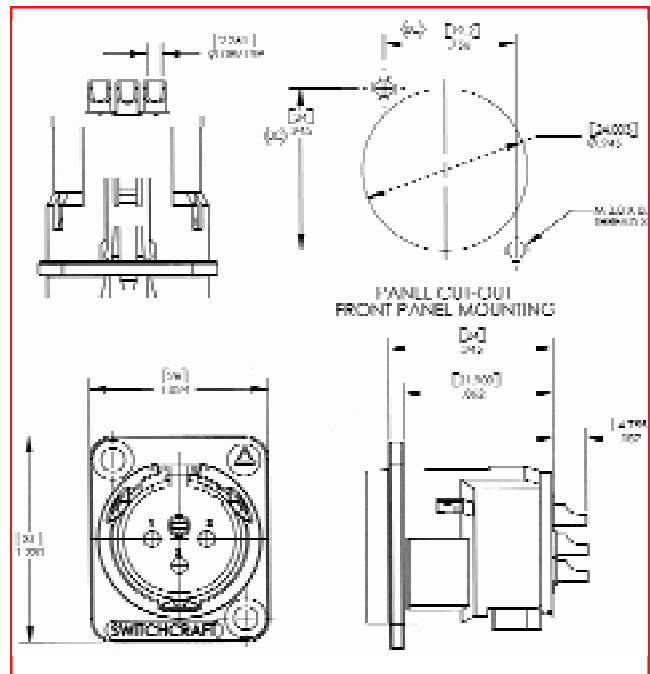
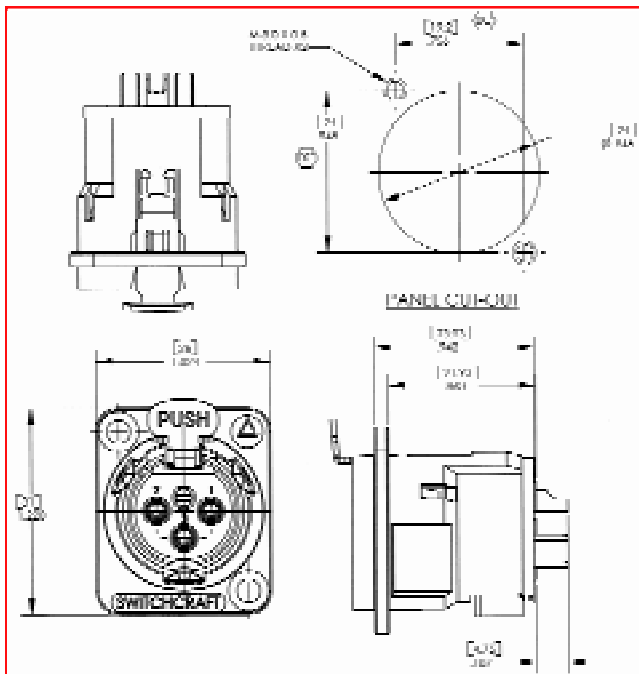
## FASDISCONNECT VERSIONS – DETENT (solder cup version)

Part Number	Terminals	Locking or Non-Locking	Contacts	Housing	Insert	Housing	Type
E3FDSC	Solder Cup	Non-Locking	Silver	Satin-nickel	E3FDSCQG	efdH	F
E3FDSCB				Black		efdHB	F
?E3FDSCAU	Solder			Satin-nickel		FFDH	F

## INSERTS (solder cup version only)

Part Number	Contacts	Terminals	Locking or Non-Locking	Type
E3FSCQG	Silver	Solder Cup	Locking	F
E3MSCQG	Silver	Solder Cup	—	M
?E3FSCAUQG	Gold	Solder Cup	Locking	F

E SERIES RECEPTACLES



# Switchcraft®

Switchcraft, Inc. is a major manufacturer of a broad line of electronic/electromechanical components for the audio/video, telecommunication, data communication, computer, medical, military, appliance, transportation and instrumentation markets.

**SWITCHCRAFT, INC.**  
 5555 North Elston Avenue  
 Chicago, IL 60630  
 773-792-2700  
 Fax 773-792-2129  
 www.switchcraft.com

