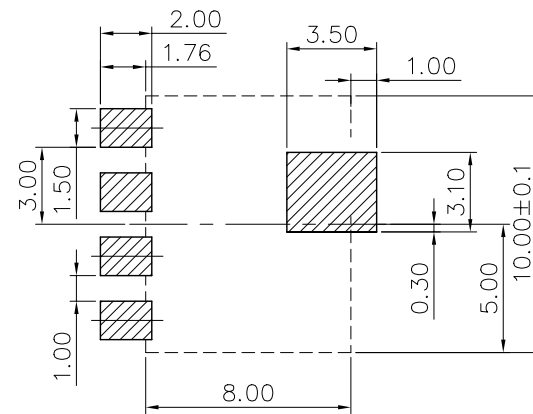


Recommended P.C.B Layout



4				
3	Frok	Brass	—	Tin Plated
2	Terminal	Pho.Bronze	—	Gold/Tin Plating
1	Plastic	LCP	Black	UL94V-0
NO.	DESCRIPTION	MATERIAL	COLOR	REMARK

SUYIN
CONNECTOR

CUSTOMER COPY TITLE: 2.50mm Mobile Phone Battery

EC1T020711-07	D	02/07/11	D1: 增加新料號			Angle	±2°	DRAW	游千儀	99/07/06	PART NO.	250101MA004S400ZU (16)
EC1T020516-03	B	02/05/16	C1: NY-6T->LCP	宋勃逸	宋權哲	30 ~	±0.50	DESIGN	游千儀	99/07/06	PART NO. (OLD)	2501A-04G4T
ECN-010215-07	A	01/02/15	B1: 4.65 ^{+0.00} _{-0.25} -> 4.50 ^{+0.10} _{-0.20}	賈能貴	李儒平	10 ~ 30	±0.30	CHECK	陳清照	99/07/06	DRAWING NO. (D) ING	250101MA004S400ZU
ECN (DCN) NO.	REV	DATE	DESCRIPTION	CHANGE	APPRO.	~ 10	±0.15	APPRO.	宋權哲	99/07/06	SCALE	4:1
						GENERAL TOLERANCE UNLESS OTHERWISE NOTED				UNIT	mm	A4