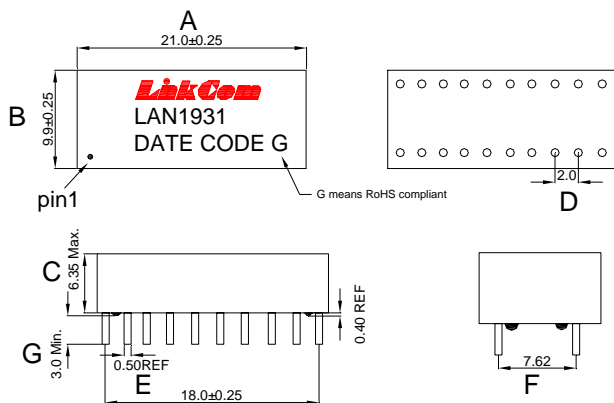


10/100BASE-Tx Magnetics Module

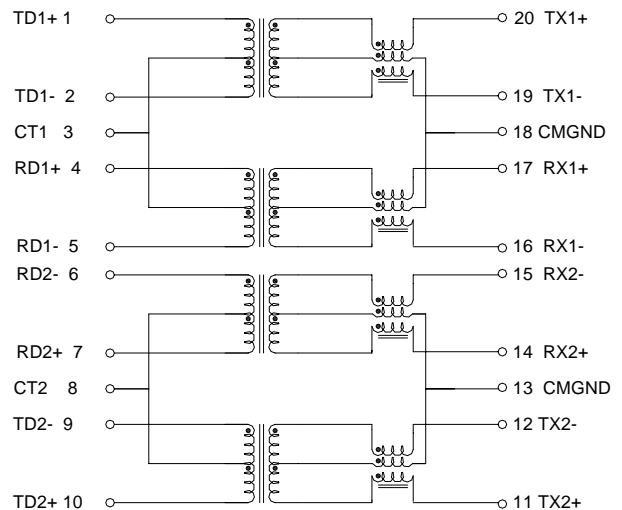
- Meets IEEE 802.3 standard
- RoHS Compliant
- Dual ports configuration
- Operating Temperature: 0°C~70°C

Electrical Specification @25°C				
OCL:	350uH Min. @100KHz/0.1V with 8mA DC Bias			
HI-POT :	1500Vrms.			
Turn Ratio:	1CT:1CT±3%			
D.C.R:	0.9ohm Max.			
Insertion Loss:	0.1-100MHz : -1.0dB Max.			
Return Loss:	2-30MHz	40MHz	50MHz	60-80MHz
	-18dB Min.	-14.4dB Min.	-13.0dB Min.	-12dB Min.
D.C.M.R. :	1-60MHz		60-200MHz	
	-40dB Min.		-30dB Min.	
Cross Talk :	1MHz	30MHz	60MHz	100MHz
	-55dB Min.	-45dB Min.	-40dB Min.	-33dB Min.

Dimensions



Schematic



Units: mm
Unless otherwise specified, all tolerances are ±0.25