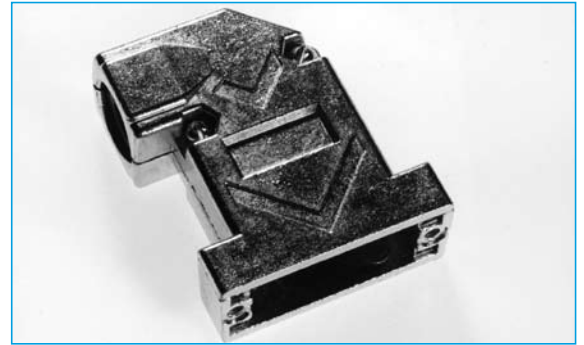


D TYPE CONNECTOR HOODS

ETHERNET AND THINNET HOODS

- For use with Transceiver Cables
- Zinc Diecast Shell for top and side Cable Entry
- Easy Assembly
- Three options available
- IEEE Approved

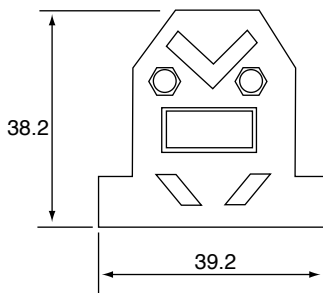


Assembly Instructions

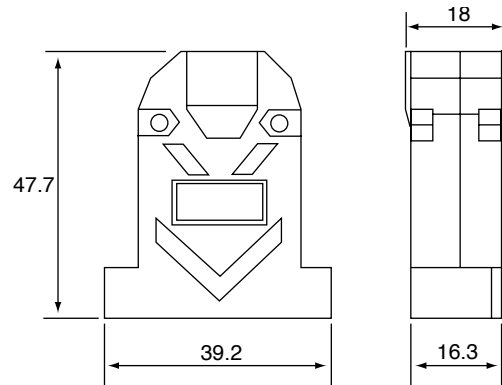
1. Select the tightest fitting insert that will fit over the cable.
2. Fold braid/foil back over insert as shown in diagram. Ensure any excess is trimmed or folded back under lip of insertion
3. Install jackscrews (if required).
4. Install connector and close cover.
5. Install Slidlock clip/Slidlock studs (if required) See Page 43.

OUTLINE DRAWING

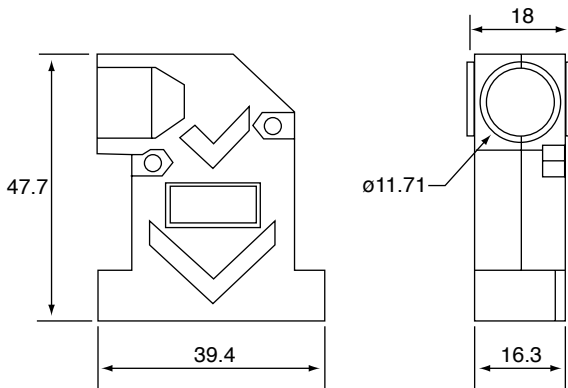
SECTION 11



Thin Ethernet
DBCDEH1



Thick and Thin Ethernet
DBCDEH2



Thick and Thin Ethernet - 90°
DBCDEH3

ORDERING INFORMATION

DBC	D	EH1
Dubilier Connectors	D Style	EH1 - Thin Ethernet EH2 - Thick and Thin Ethernet EH3 - Thick and Thin Ethernet 90°