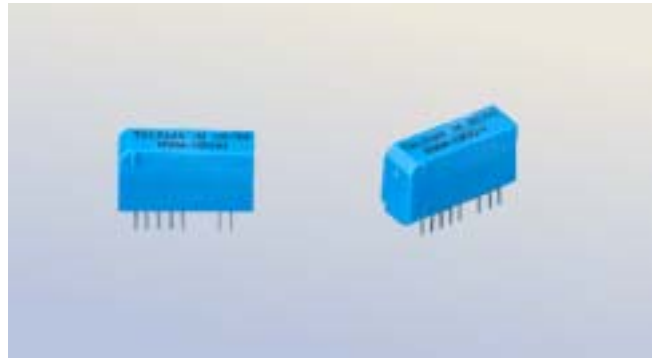


ISDN S₀ DIL Interface Modules

Features

- excellent output characteristics ensures compliance with CCITT.I.430 pulse waveform template when used with recommended IC pairing
- excellent and consistent balance between windings
- operating temperature: 0 to 70°C
- modular design maximizes suppression effectivity and transmission properties
- compact module eliminates three components reducing assembly and storage cost
- full compatibility with all common IC's
- HVM Series approved to IEC950 (see note at bottom of chart)



Electrical Specifications @ 25°C

Turns Ratio: **Bold** = IC side windings

ISM Series DIL Modules comply with Supplementary Insulation Level EN60950, UL1950 and UL1459

Part Number	L _P	Turns	L _L	I _{DC} ^Λ	C _C	R _{CU} P	R _{CU} S	V _P	Schematic
	(mH Min)	Ratio	(μH Max)	(mA)	(pF Max)	(Ohms)	(Ohms)	(Vrms)	
ISM-100C1-XXX	30	1/1: 1/1	10	5	150	1.7	2.0	1500	C1
ISM-120A1-XXX	30	1/1: 4	10	5	150	1.7	4.0	1500	A1
ISM-130C1-XXX	30	1/1: 2.5/2.5	10	5	150	1.7	4.6	1500	C1
ISM-140C1-XXX	30	1/1: 2/2	10	5	150	1.7	4.0	1500	C1

HVM Series DIL Modules are Approved to IEC950 - Supplementary Insulation Level

HVM-100C1-502	30	1/1: 1/1	10	5	75	1.7	2.1	1500	C1
HVM-120A1-502	30	1/1: 4	10	5	75	1.7	4.2	1500	A1
HVM-130C1-502	30	1/1: 2.5/2.5	10	5	75	1.7	4.9	1500	C1
HVM-140C1-502	30	1/1: 2/2	10	5	75	1.7	4.2	1500	C1

Common Mode Quad Choke

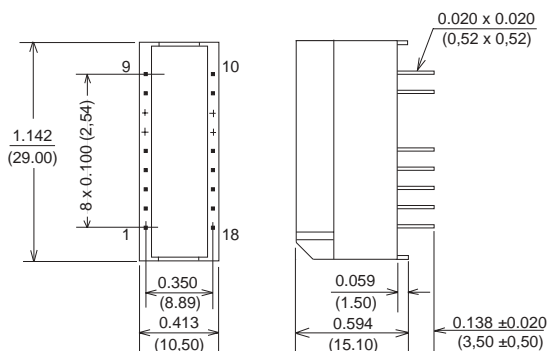
Basic P/N + Suffix (Example: ISM-100C1-470)	L _N (μH)	R _{CU} (Ohms)
-000	No Choke	
-470	47	0.30
-101	100	0.40
-501	500	1.20
-502	5000	1.00

Note:

The HVM Series with a 5mH quad choke is approved to IEC950 Supplementary Insulation level for connection between SELV and TNV in systems which have a rated mains supply of 250Vrms to earth (Certificate Nr. NL2731). Other choke inductances also available.

Standard Packaging: Anti-static tubes

ISM & HVM DIL Modules



Dimensions: Inches (Millimeters)
Tolerance: ±0.010 (0.25) unless specified otherwise

Schematic

