

T1/E1 Transformer

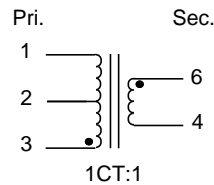
EPA3553G

- For Brooktree BT8069, BT8510 •
- Robust design withstands reflow soldering processes •
- 1500 Vrms Isolation •
- Complies with or exceeds IEEE Requirements •

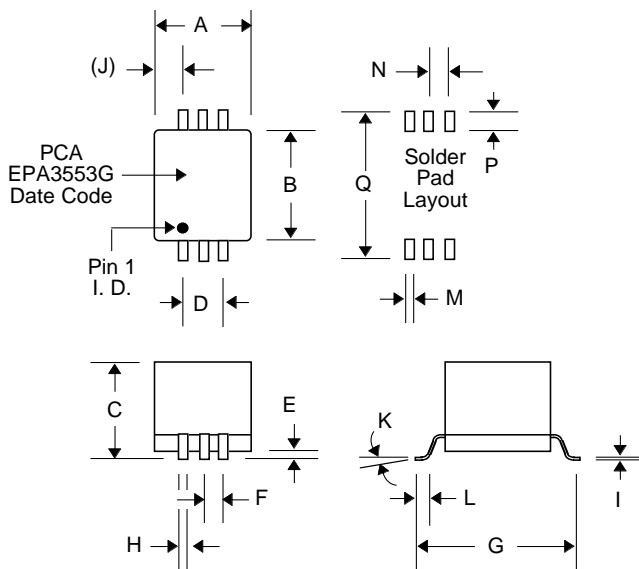
Electrical Parameters @ 25° C

Primary Inductance (mH Min.)	Interwinding Capacitance (pF Max.)	Leakage Inductance (μH Max.)	DCR (Ω Max.)	
			Primary Pins 1-3	Secondary Pins 6-4
@ 100 KHz, 0.1 Vrms	@ 100 KHz, 0.1 Vrms	@ 100 KHz, 0.1 Vrms (from Primary)		
1.2	30	0.8	0.40	0.40

Schematic



Package



Dimensions

Dim.	(Inches)			(Millimeters)		
	Min.	Max.	Nom.	Min.	Max.	Nom.
A	.340	.360	.350	8.64	9.14	8.89
B	.380	.400	.390	9.65	10.16	9.91
C	.250	.270	.260	6.35	6.86	6.60
D	---	---	.200	---	---	5.08
E	.010	.015	.013	.254	.381	.318
F	---	---	.100	---	---	2.54
G	.490	.510	.500	12.44	12.95	12.70
H	.016	.022	.019	.406	.559	.483
I	.008	.012	.010	.203	.305	.254
(J)	---	---	.075	---	---	1.91
K	0°	8°	---	0°	8°	---
L	.025	.045	.035	.635	1.14	.889
M	---	---	.030	---	---	.762
N	---	---	.100	---	---	2.54
P	---	---	.090	---	---	2.29
Q	---	---	.540	---	---	13.72