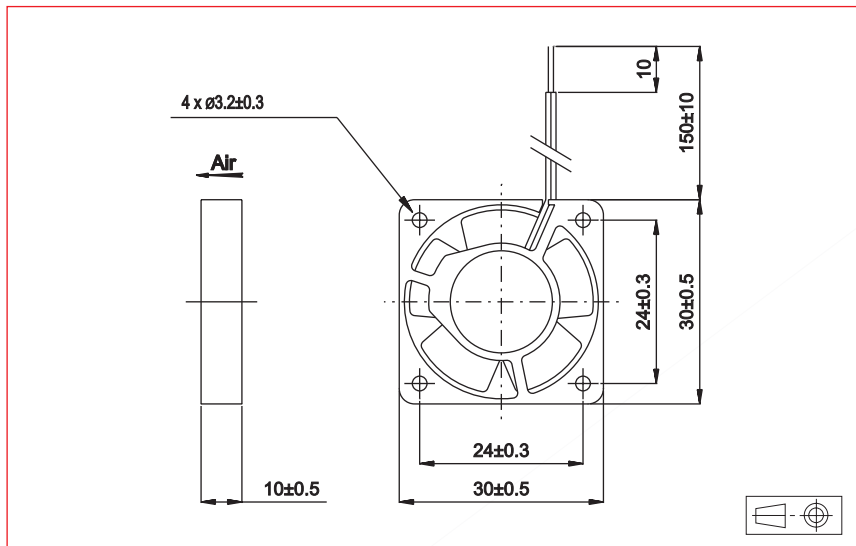


1,18" x 1,18" x 0,393" 30 x 30 x 10 mm

Series  
260D

**ETRI**<sup>®</sup>

DC Axial Fans



Approvals



Life expectancy

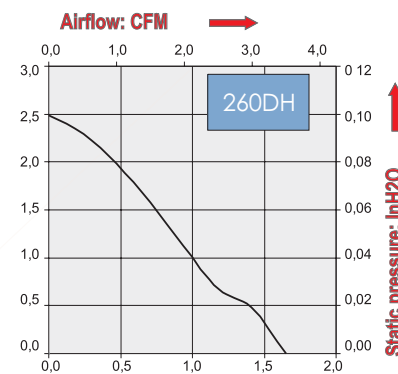
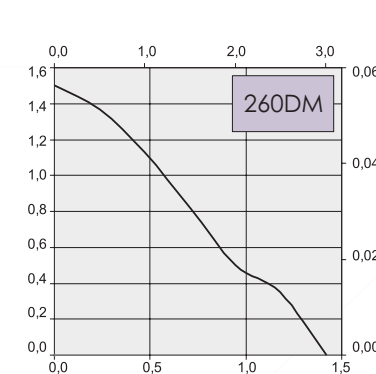
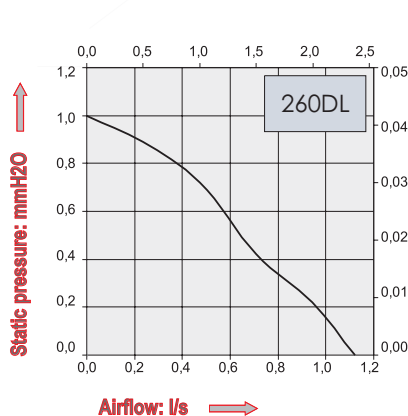
L-10 LIFE AT 40°C:  
80 000 hours

**Brushless DC Motor**

Electrical protection: impedance protected  
Housing material: plastic UL 94 VO  
Impeller material: plastic UL 94 VO  
Weight: 9 g  
Bearing system: ball bearings

**Available with:**

- Speed sensor
- Alarm
- IP54 / IP55



Part Number	Nominal voltage	Airflow	Noise level	Nominal speed	Input Power	Voltage range	Connection type		Operating temperature	
	V	l/s	dB(A)	RPM	W	V	Leads	Terminals	Min.°C	Max.°C
260DL5LP11000	5	1,1	17,5	6000	0,4	(4,5-5,5)	X		-10	70
260DL1LP11000	12	1,1	17,5	6000	0,6	(9,5-13,8)	X		-10	70
260DM5LP11000	5	1,4	20	7500	0,6	(4,5-5,5)	X		-10	70
260DM1LP11000	12	1,4	20	7500	0,8	(9,5-13,8)	X		-10	70
260DH5LP11000	5	1,7	25	9000	0,8	(4,5-5,5)	X		-10	70
260DH1LP11000	12	1,7	25	9000	1,1	(9,5-13,8)	X		-10	70