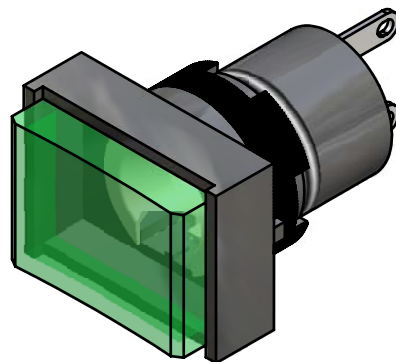
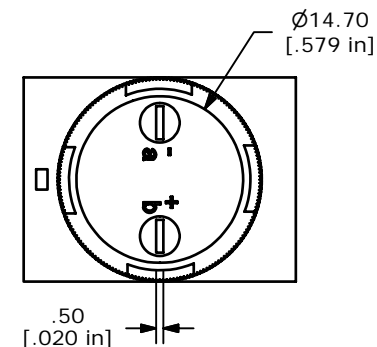
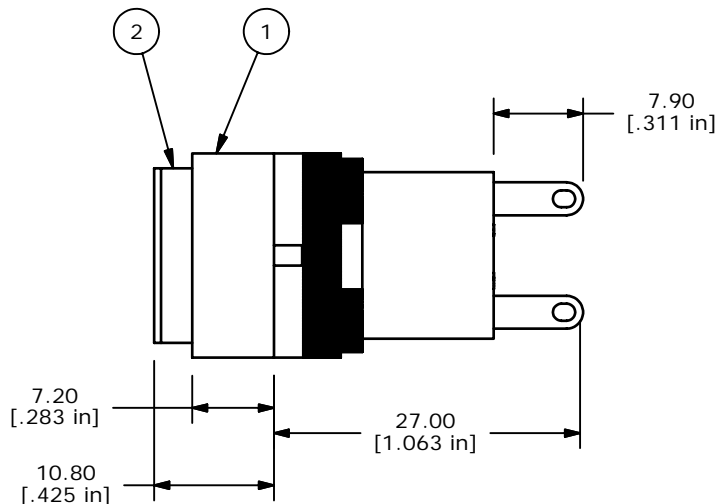
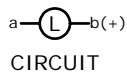
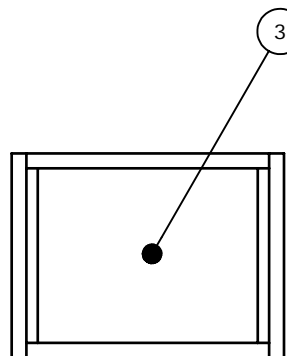


RECOMMENDED PANEL MOUNTING



PARTS LIST			
ITEM	QTY	PART NUMBER	DESCRIPTION
1	1	F040001	L16PLT10
2	1	F050202	50-002-02 RECTANGULAR CONCAVE GREEN LENS
3	1	F050416	50-004-16 6V GREEN LED



NOTE:

1. ALL DIMENSIONS IN MM [INCH]
2. GENERAL TOLERANCE: X.X=±0.4
X.XX=±0.25
3. TERMINAL NUMBERS FOR REF ONLY
4. OPERATING TEMP: -25°C to +55°C
5. STORAGE TEMP: -40°C TO +85°C
- ▲ 6. LAMP VOLTAGE: 6VDC LED
7. ▲ DENOTES CRITICAL PARAMETER.
8. 2002/95/EC (ROHS) COMPLIANT



A	16147	RELEASED FOR PRODUCTION	6/15/06	CT
REV	PCR NO	DESCRIPTION	DATE	BY

TITLE L16PLT10HGRNGRN				
SCALE	DATE	DR	DWG	REV
1.5:1	6/15/2006	CT	XF0679P	A

THE INFORMATION CONTAINED IN THIS DOCUMENT IS PROPRIETARY TO E-SWITCH AND IS NOT TO BE COPIED OR TRANSFERRED