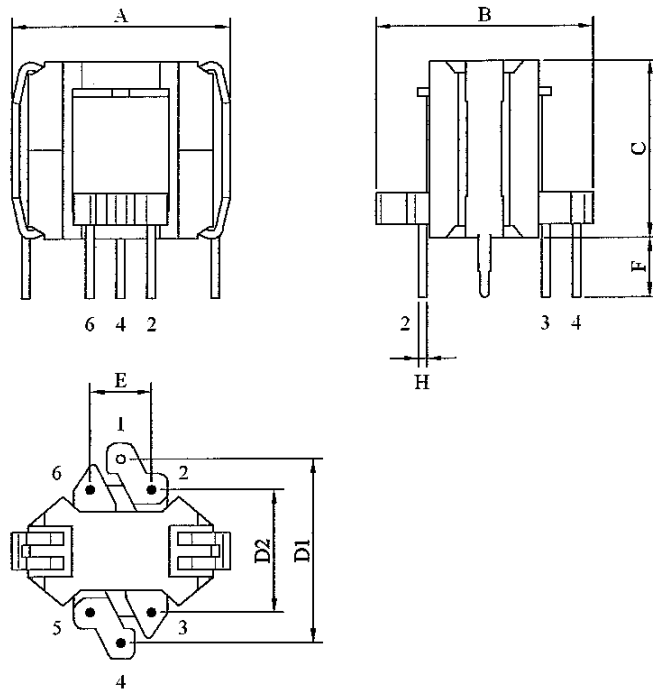


SPECIFICATION FOR APPROVAL

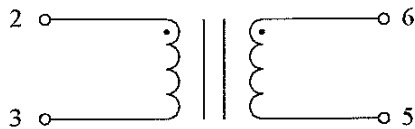
Product Name	HIGH FREQUENCY TRANSFORMER	Page	1
Superworld Part No.	SRMA4VT-50772	Rev. No.	0

1. CONFIGURATION & DIMENSIONS :



A	: 14.00 MAX	mm
B	: 13.50 MAX	mm
C	: 11.00 MAX	mm
D1	: 10.80±0.30	mm
D2	: 7.20±0.30	mm
E	: 3.60±0.30	mm
F	: 3.50±0.50	mm
H	: Ø0.50 REF	mm

2. SCHEMATIC DIAGRAM :



SPECIFICATION FOR APPROVAL

Product Name	HIGH FREQUENCY TRANSFORMER	Page	2
Superworld Part No.	SRMA4VT-50772	Rev. No.	0

3. MATERIALS :

NO.	DESCRIPTION	SPECIFICATION	REMARK
a.	BOBBIN	PHENOLIC RESIN(BAKELITE) PM-9630 94V-0	
b.	CORE	RM4	
c.	WIRE	POLYURETHANE DD(1UEW)	
d.	TAPE	POLYESTER FILM	
e.	VARNISH	SYNTHITE AC-43	
f.	CLIP	RM4	

4. GENERAL SPECIFICATIONS :

- a. Operating Temperature Range : -25°C --- +105°C
- b. Insulation Class : B (130°C)

5. ELECTRICAL CHARACTERISTICS :

Part No.	INDUCTANCE (L)	CONDITIONS	TEST FREQ.	DCR @ 25°C
SRMA4VT-50772	L : (2-3) = 5.0mH ±20%	-	50KHz 1V	(2-3) = 460mΩ +10%
				(6-5) = 460mΩ +10%



SUPERWORLD ELECTRONICS (S) PTE LTD