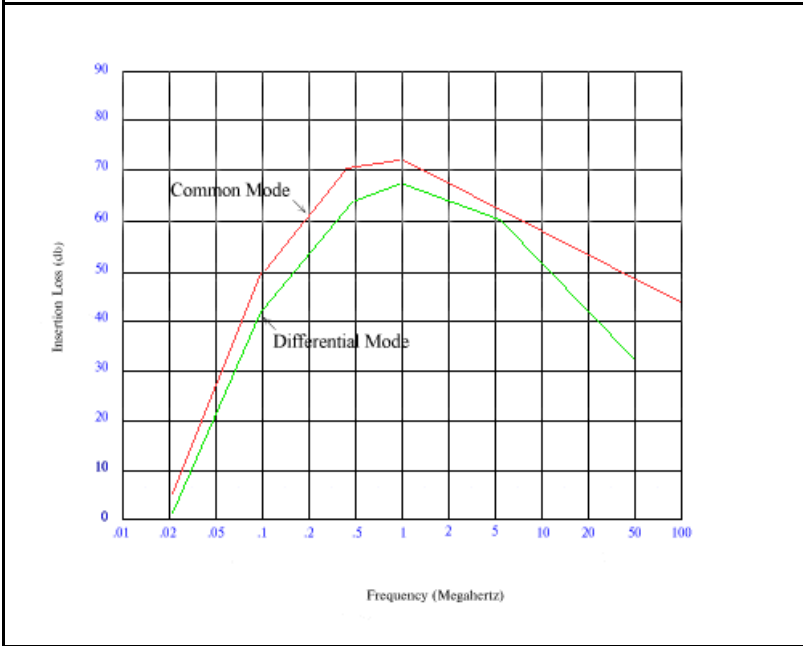
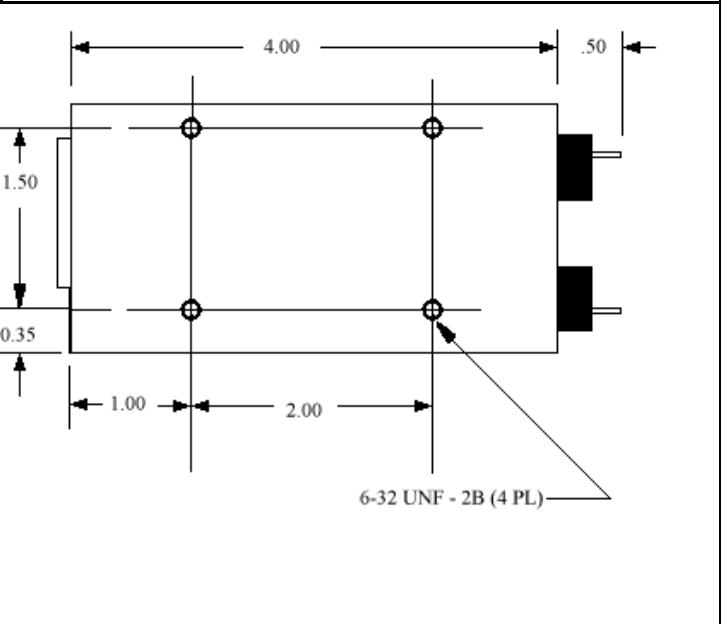
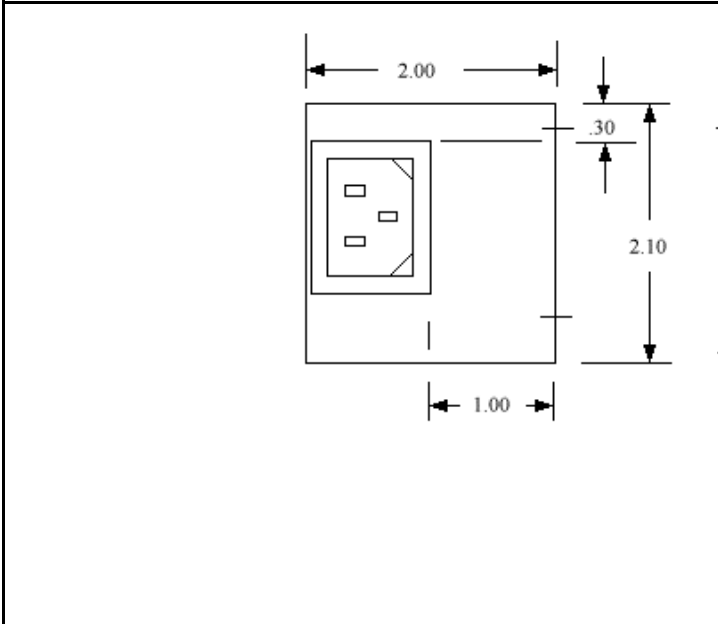
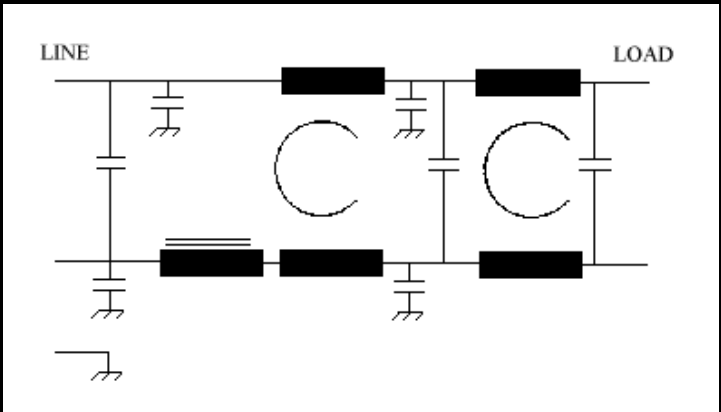




EA-1013-12A

Operating Voltage= 115/250 Vac
 Operating CurrentMax= 12 amp
 Operating Frequency= 50/60Hz
 Temperature Operating= -20 to 50 deg. C
 Die Withstand (Line to Case)= 1500V~ for 1 Min
 Die Withstand (Line to Line)= 1500Vdc for 1 min
 Leakage Current = 2.5 mA @ 250 VAC,560Hz
 Discharge after 5.0 sec.= 45V Max

 Agency Approvals=UL, CAS, TUV



The EA-1013-12A is a single phase AC filter designed to suppress the interference generated by switching power supplies which are required to meet the emission specifications of VDE level "B"