

**Rectangular Type, BI-COLOR LED lamp**
**BL-L2519**
**■ Features:**

- 2.0\*5.0mm Rectangular Type BI-COLOR LED Lamps, with 3 leads.
- Ultra brightness.
- Choice of various viewing angles.
- Diffused, Transparent and Water clear lens are available.
- IC compatible /Low current capability.
- RoHs Compliance


**■ Electrical-optical characteristics: (Ta=25°C) (Test Condition: IF=20mA)**

| Part Number   | Chip          |           |                        | Lens Type   | Forward Voltage(VF)<br>Unit:V |           | Luminous Intensity (Iv)<br>Unit:mcd |      | Viewing Angle<br>2θ1/2(deg) |
|---------------|---------------|-----------|------------------------|-------------|-------------------------------|-----------|-------------------------------------|------|-----------------------------|
|               | Emitted Color | Material  | λ <sub>P</sub><br>(nm) |             | Typ                           | Max       | Min.                                | Typ  |                             |
|               |               |           |                        |             | Orange                        | GaAsP/GaP | 635                                 | 2.10 |                             |
| BL-L2519EGW   | Green         | GaP/GaP   | 570                    | Water-Diff. | 2.20                          | 2.50      | 4                                   | 15   | 110                         |
|               | Yellow        | GaAsP/GaP | 585                    |             | 2.10                          | 2.50      | 4                                   | 15   |                             |
| BL-L2519YGW   | Green         | GaP/GaP   | 570                    |             | 2.20                          | 2.50      | 4                                   | 15   |                             |
|               | Ultra Yellow  | AlGaInP   | 630                    |             | 2.10                          | 2.50      | 80                                  | 160  |                             |
| BL-L2519UEUGW | Ultra Green   | AlGaInP   | 574                    |             | 2.20                          | 2.50      | 60                                  | 110  |                             |

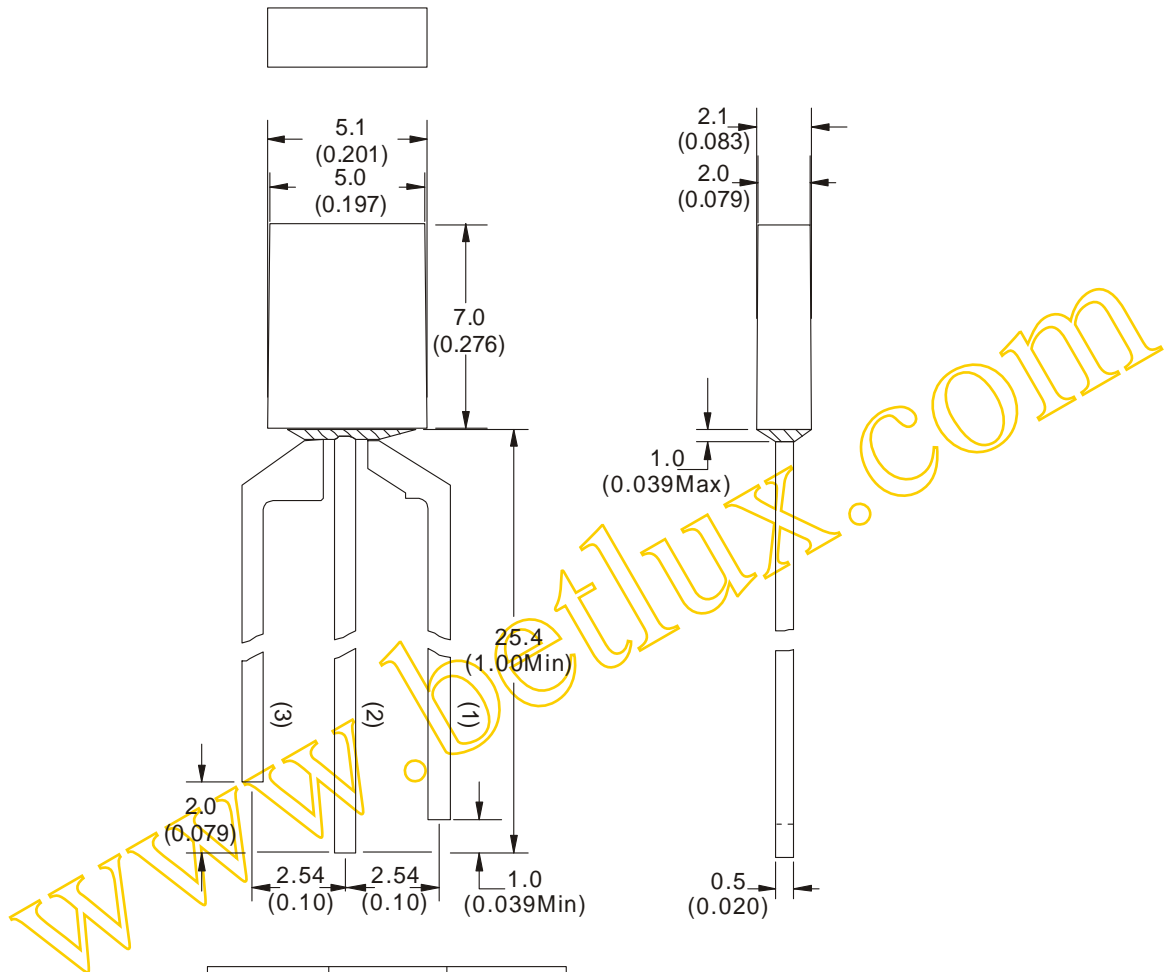
**■ Absolute maximum ratings (Ta=25°C)**

| Parameter   | E   | UE  | Y   | G   | UG  | Unit |
|---|---|-----|-----|-----|-----|------|
| Forward Current I <sub>F</sub>                            | 25  | 30  | 25  | 30  | 30  | mA   |
| Power Dissipation P <sub>d</sub>                          | 60  | 65  | 60  | 65  | 75  | mW   |
| Reverse Voltage V <sub>R</sub>                            | 5   | 5   | 5   | 5   | 5   | V    |
| Peak Forward Current I <sub>PF</sub><br>(Duty 1/10 @1KHZ) | 150   | 150 | 150 | 150 | 150 | mA   |
| Operation Temperature T <sub>OPR</sub>                    | -40 to +80  |     |     |     |     | °C   |
| Storage Temperature T <sub>STG</sub>                      | -40 to +85  |     |     |     |     | °C   |
| Lead Soldering Temperature<br>T <sub>SOL</sub>            | Max.260±5°C for 3 sec Max.<br>(1.6mm from the base of the epoxy bulb) |     |     |     |     | °C   |

Rectangular Type, BI-COLOR LED lamp

BL-L2519

■ Package configuration & Internal circuit diagram



|      | GREEN   | RED<br>ORANGE<br>YELLOW |
|------|---------|-------------------------|
| PIN1 | ANODE   | CATHODE                 |
| PIN2 | CATHODE | ANODE                   |
| PIN3 |         |                         |



Notes:

1. All dimensions are in millimeters (inches)
2. Tolerance is  $\pm 0.25(0.01)$  unless otherwise noted.
3. Specifications are subject to change without notice.

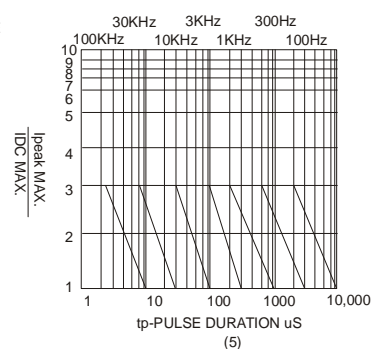
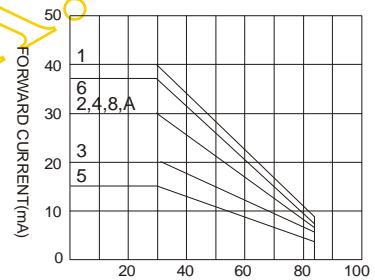
## Rectangular Type, BI-COLOR LED lamp

BL-L2519

### Typical electrical-optical characteristics curves:



- |   |                                      |
|---|--------------------------------------|
| (1) - GaAsP/GaAs 655nm/Red                | (9) - GaAlAs 880nm                   |
| (2) - GaP 570nm/Yellow Green              | (10) - GaAs/GaAs & GaAlAs/GaAs 940nm |
| (3) - GaAsP/GaP 585nm/Yellow              | (A) - GaN/SiC 430nm/Blue             |
| (4) - GaAsP/GaP 635nm/Orange & Hi-Eff Red | (B) - InGaN/SiC 470nm/Blue           |
| (5) - GaP 700nm/Bright Red                | (C) - InGaN/SiC 505nm/Ultra Green    |
| (6) - GaAlAs/GaAs 660nm/Super Red         | (D) - InGaN/SiC 525nm/Ultra Green    |
| (8) - GaAsP/GaP 610nm/Super Red           |                                      |



NOTE:25°C free air temperature unless otherwise specified