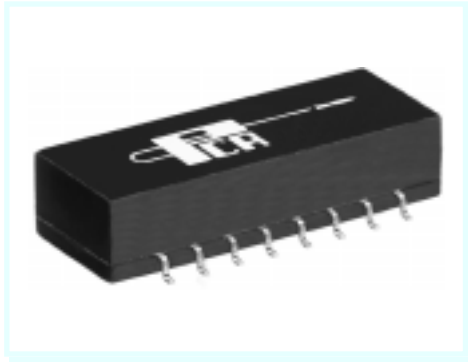


10/100 LAN Interface Module

EPF8089G



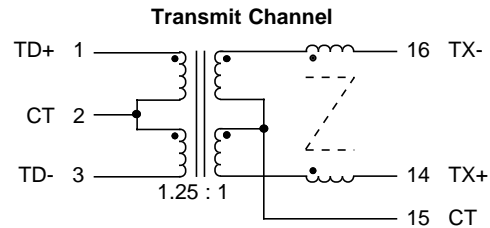
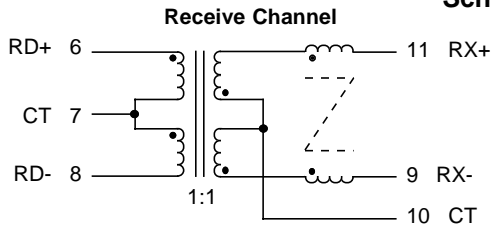
- Optimized for QSI6611/6612 PHY/MAC, SEEQ 80221 •
- Guaranteed to operate with 8 mA DC bias at 70°C on cable side •
- Complies with or exceeds IEEE 802.3, 10 BT/100 BX Standards •

Electrical Parameters @ 25° C

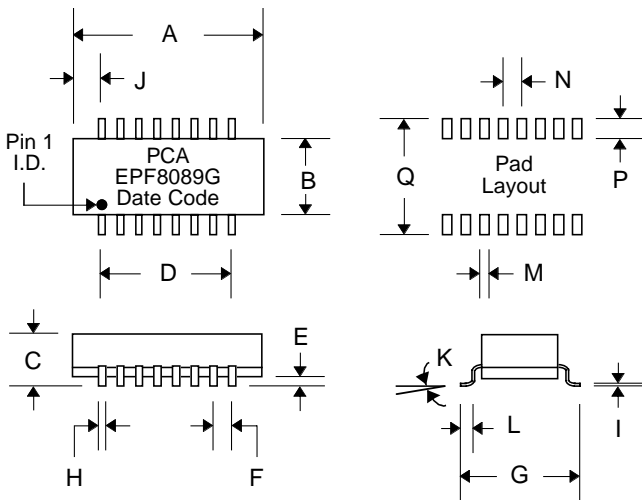
OCL @ 70°C	Insertion Loss (dB Max.)						Return Loss (dB Min.)						Common Mode Rejection (dB Min.)						Crosstalk (dB Min.) [Between Channels]	
	1-80 MHz		80-100 MHz		100-150 MHz		1-30 MHz		30-60 MHz		60-100 MHz		1-30 MHz		30-100 MHz		100-500 MHz		5-10 MHz	10-100 MHz
Cable Side	Xmit	Rcv	Xmit	Rcv	Xmit	Rcv	Xmit	Rcv	Xmit	Rcv	Xmit	Rcv	Xmit	Rcv	Xmit	Rcv	Xmit	Rcv		
350µH	-1	-1	-2	-2	-3.5	-3	-18	-18	-12	-12	-10	-10	-40	-40	-30	-30	-10	-10	-35	-35

- Isolation : 1500 Vrms • Cable Impedance : 100 Ω • Rise Time : 3.0 nS Max. •

Schematic



Package



Dimensions

Dim.	(Inches)			(Millimeters)		
	Min.	Max.	Nom.	Min.	Max.	Nom.
A	.970	.990		24.64	25.15	
B	.380	.400		9.65	10.16	
C	.223	.243		5.66	6.17	
D	.700	Typ.		17.78	Typ.	
E	.003	.020		.076	.508	
F	.100	Typ.		2.54	Typ.	
G	.500	.520		12.70	13.21	
H	.016	.022		.406	.559	
I	.008	.012		.203	.305	
J	.090	Typ.		2.29	Typ.	
K	0°	8°		0°	8°	
L	.025	.045		.635	1.14	
M			.030			.762
N			.100			2.54
P			.092			2.34
Q			.560			14.22

Checked By _____ Date _____ Approved By _____ Date _____ Approved By _____ Date _____