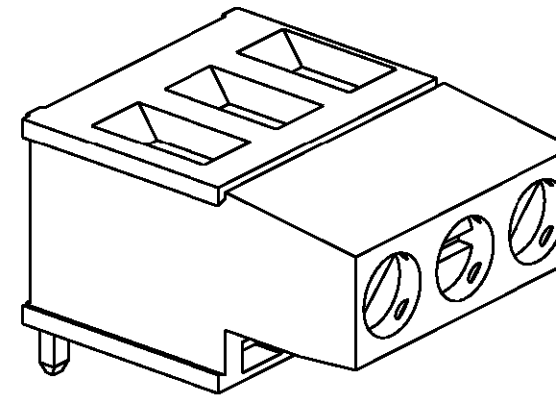
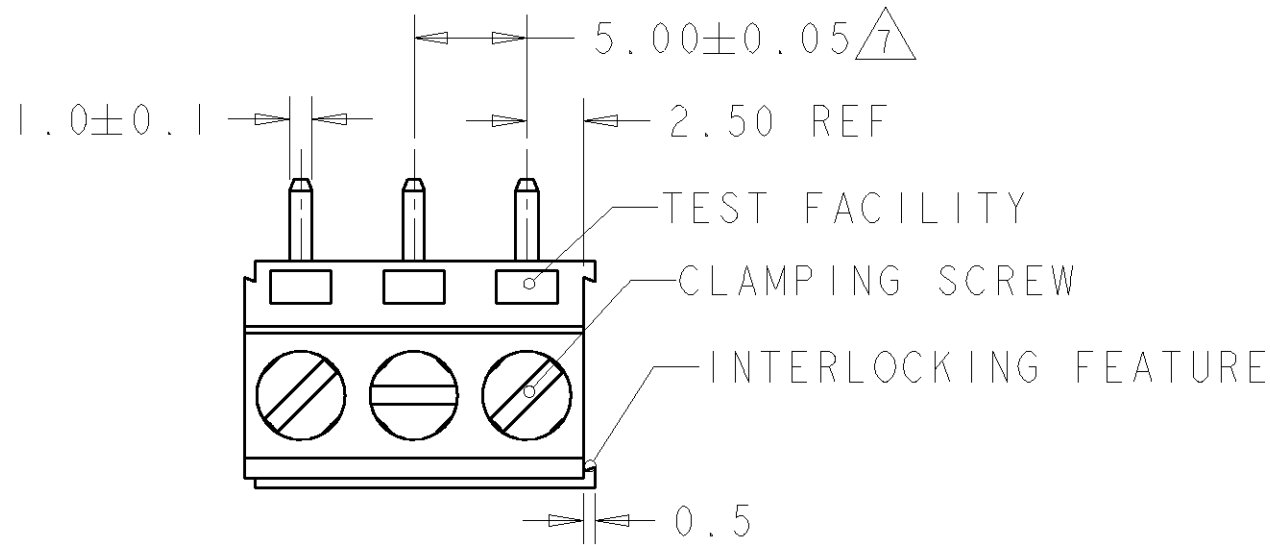
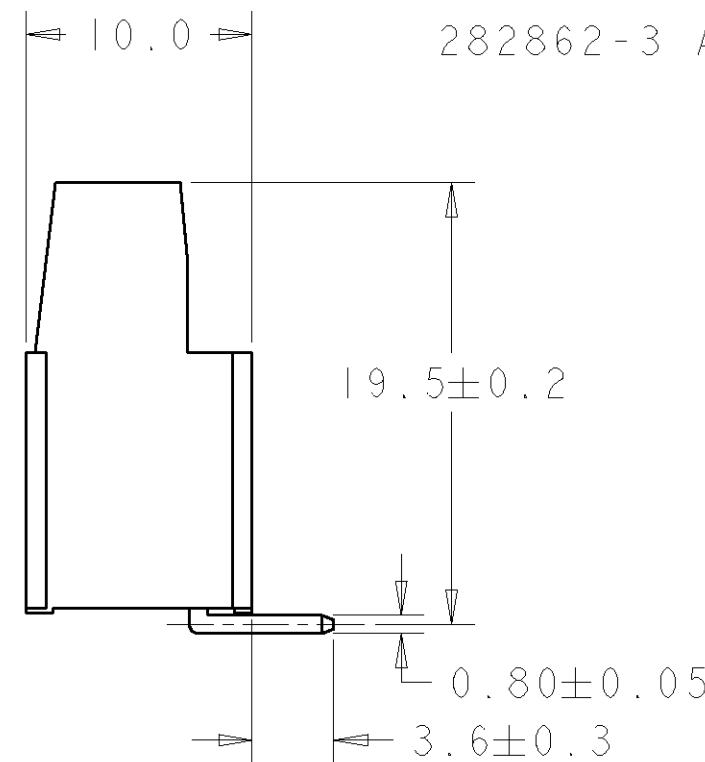
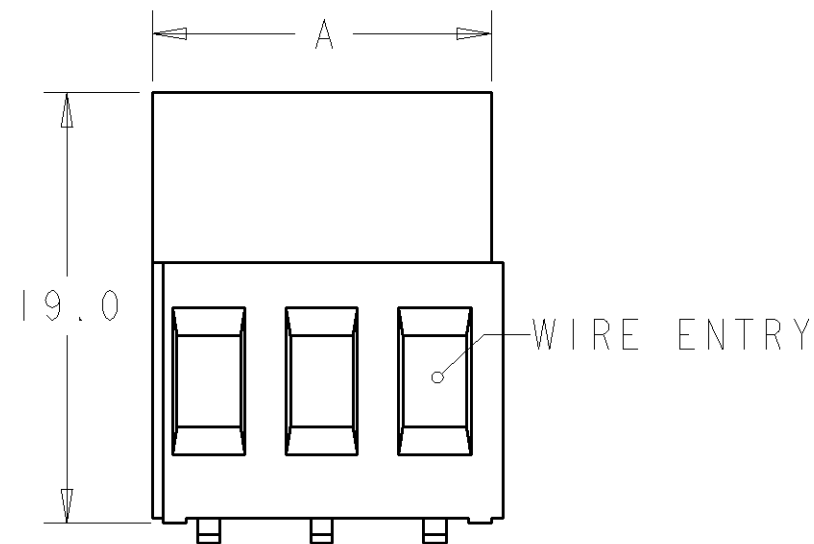


THIS DRAWING IS UNPUBLISHED. RELEASED FOR PUBLICATION 20
 © COPYRIGHT 20 BY TYCO ELECTRONICS CORPORATION. ALL RIGHTS RESERVED.

LOC	DIST	REVISIONS			
P	LTR	DESCRIPTION	DATE	DWN	APVD
FT	0				
		D	REVISED PER 0G3B-0106-01	06SEP2001	EZ DB
		E	REVISED PER 0G3B-0119-01	06SEP2001	EZ DB

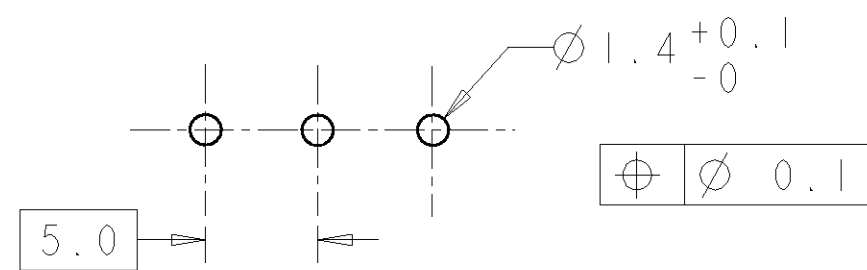


282862-3 AS SHOWN



125	25	2-282862-5
120	24	2-282862-4
115	23	2-282862-3
110	22	2-282862-2
105	21	2-282862-1
100	20	2-282862-0
95	19	1-282862-9
90	18	1-282862-8
85	17	1-282862-7
80	16	1-282862-6
75	15	1-282862-5
70	14	1-282862-4
65	13	1-282862-3
60	12	1-282862-2
55	11	1-282862-1
50	10	1-282862-0
45	9	282862-9
40	8	282862-8
35	7	282862-7
30	6	282862-6
25	5	282862-5
20	4	282862-4
15	3	282862-3
10	2	282862-2
DIM. A	N° OF POS.	PART NUMBER


RECOMMENDED PC BOARD LAYOUT



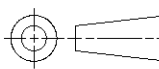
<small>THIS DRAWING IS A CONTROLLED DOCUMENT FOR TYCO ELECTRONICS CORPORATION IT IS SUBJECT TO CHANGE AND THE CONTROLLING ENGINEERING ORGANIZATION SHOULD BE CONTACTED FOR THE LATEST REVISION.</small>		DWN 06SEP2001 E. ZANOLINI CHK 06SEP2001 D. BIEVENOUR APVD 06SEP2001 D. BIEVENOUR		BUCHANAN Tyco Electronics Harrisburg, PA 17105-3608	
DIMENSIONS: mm		TOLERANCES UNLESS OTHERWISE SPECIFIED: 0 PLC ±- 1 PLC ±.3 2 PLC ±.25 3 PLC ±- 4 PLC ±- ANGLES ±2		NAME TERMINAL BLOCK PCB MOUNT TOP ENTRY WIRE, STACKING W/ INTERLOCK, 5mm PITCH	
MATERIAL Δ -		FINISH Δ -		PRODUCT SPEC - APPLICATION SPEC 114-20079 WEIGHT -	
CUSTOMER DRAWING				SIZE A3 CAGE CODE 00779 DRAWING NO C=282862 RESTRICTED TO -	
SCALE 3:1				SHEET 1 OF 2 REV E	

THIS DRAWING IS UNPUBLISHED. RELEASED FOR PUBLICATION 20
 © COPYRIGHT 20 BY TYCO ELECTRONICS CORPORATION. ALL RIGHTS RESERVED.

LOC	DIST	REVISIONS					
		P	LTR	DESCRIPTION	DATE	DWN	APVD
FT	0		-	SEE SHEET 1	-	-	-

- 1  MATERIALS AND FINISH
 HOUSING: PA 6-6, UL 94-V0, COLOR GREEN.
 CLAMP: BRASS, NICKEL PLATED.
 TERMINAL: BRASS, TIN PLATED.
 CLAMPING SCREW: M3, BRASS, NICKEL PLATED.
- 2 SUITABLE FOR 1,6-2,4mm PC BOARD THICKNESS.
- 3 END-TO-END STACKABLE W/INTERLOCK WITHOUT LOSS OF CENTERLINE SPACING.
- 4 WIRE SIZE RANGE
 SOLID WIRE: 0,03-4mm² (11AWG).
 STRANDED WIRE: 0,03-2,5mm² (13AWG).
- 5 RECOGNIZED UNDER THE COMPONENT PROGRAM OF UNDERWRITERS LABORATORIES INC., FILE N° E60677.
- 6 IMQ CERTIFICATE WITH SURVEILLANCE IN CONFORMITY WITH IEC 998-1/998-2-1.

7  NOT CUMULATIVE TOLERANCE.

<small>THIS DRAWING IS A CONTROLLED DOCUMENT FOR TYCO ELECTRONICS CORPORATION IT IS SUBJECT TO CHANGE AND THE CONTROLLING ENGINEERING ORGANIZATION SHOULD BE CONTACTED FOR THE LATEST REVISION.</small>		DWN 06SEP2001 E. ZANOLINI	BUCHANAN Tyco Electronics Harrisburg, PA 17105-3608	
DIMENSIONS: mm 		CHK 06SEP2001 D. BIEVENOUR		
TOLERANCES UNLESS OTHERWISE SPECIFIED: 0 PLC ±- 1 PLC ±.2 2 PLC ±.15 3 PLC ±- 4 PLC ±- ANGLES ±2		APVD 06SEP2001 D. BIEVENOUR	NAME TERMINAL BLOCK PCB MOUNT TOP ENTRY WIRE, STACKING W/ INTERLOCK, 5mm PITCH	
MATERIAL -	FINISH -	PRODUCT SPEC -	SIZE A3 CAGE CODE 00779 DRAWING NO C-282862 RESTRICTED TO -	
		APPLICATION SPEC -	SCALE 3:1 SHEET 2 OF 2 REV E	
		WEIGHT -	CUSTOMER DRAWING	