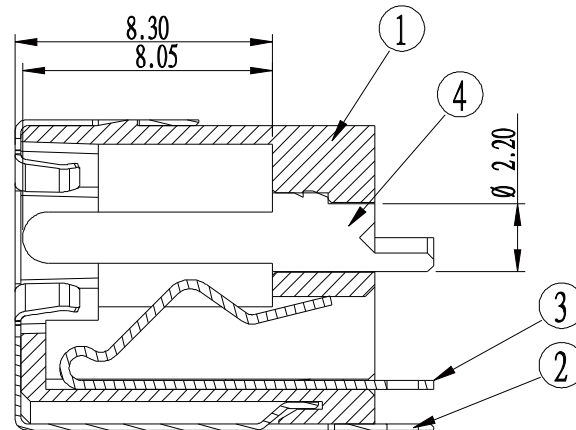
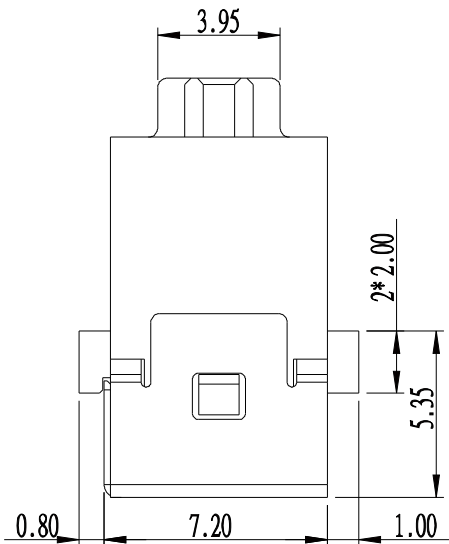




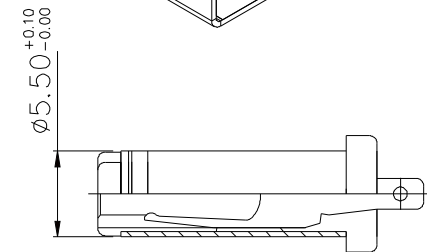
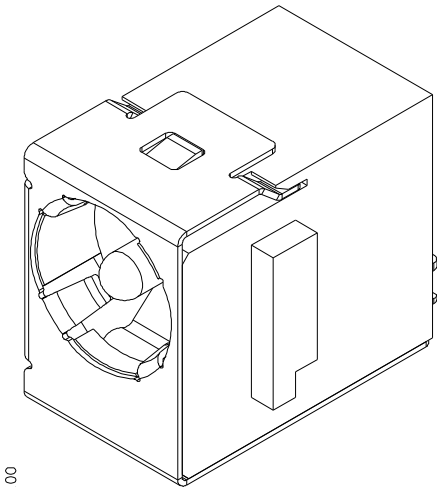
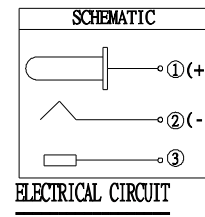
RoHS
Compliant
2002/95/EC

HSF

Level-1 Controlled Substances are banned



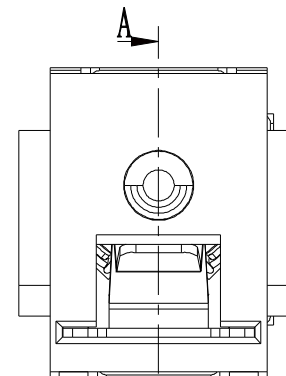
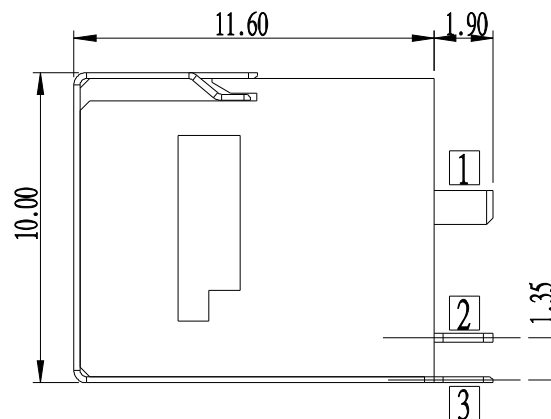
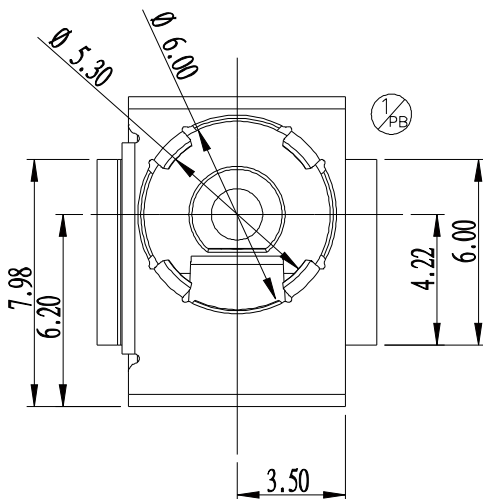
SECTION "A-A"



Ø5.5 PLUG TYPE (2:1)

COLOR CODE

SUYIN P/NO.	COLOR
040055FJ002Y505FU	YELLOW(123C)
040055FJ002Y505ZU	BLACK
040055FJ002Y505IU	BLUE(298C)



BACK VIEW

NO.	DESCRIPTION	MATERIAL	COLOR	REMARK
4	TERMINAL	COPPER ALLOY		SILVER PLATED
3	TERMINAL	COPPER ALLOY		SILVER PLATED
2	SHELL	METAL		NICKEL PLATED
1	HOUSING	HIGH THER. PLASTIC		UL94V-0

SUYIN
CONNECTOR

CUSTOMER COPY	TITLE: DC POWER JACK CONNECTOR		
PART NO.	040055FJ002Y505XU		
PRODUCT SPEC.	040055FJ SERIES		
FILE NAME.	040055FJ002Y505XU-C		
SCALE	4:1	UNIT:mm	A4

REV	DATE	DESCRIPTION	CHANGE	APPRO.	GENERAL TOLERANCE UNLESS OTHERWISE NOTED	APPRO.	DATE
0	08'/08/20	RELEASE	譚艷兵	鄭家奇	Angle ±2°	譚艷兵	08'/08/20
					30 ~ ±0.50	DESIGN 譚艷兵	08'/08/20
					10 ~ 30 ±0.30	CHECK 羅志兵	08'/08/20
DCBE-080819-01	PC	08'/08/19	PC1: 新增顏色(藍色)	喻華香 鄭家奇	~ 10 ±0.15	APPRO. 鄭家奇	08'/08/20

Original:Draw: 劉勁松 Design: 劉勁松 Check: 羅志兵 Appro: 鄭家奇 發行日期: 07'/12/21

071221-BB090