

DC MOTOR DRIVER

DESCRIPTION

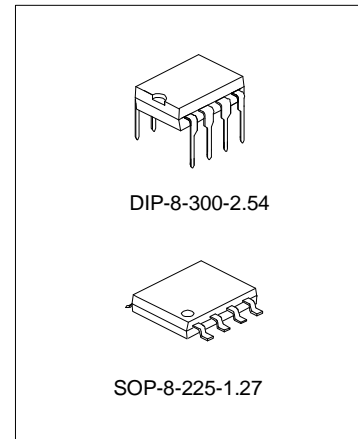
SA1510 is a monolithic integrated circuit designed for the rotating speed control and DC motor driver. SA1510 adopts bridge driver circuit which have two output port, used for drive positive and inverse direction of motor, the peak value of the drive current is 1.25A.

FEATURES

- * Operating voltage range: 5V~12V;
- * Integrated control and drive
- * Output peak value current of 1.25A(duration 30 seconds)
- * Output regulation current is 700mA; it can be running under 1.0A if heat sinking can be solved.
- * Meet the standard CMOS output.
- * Built-in protection diode, suitable for sensibility load.

APPLICATIONS

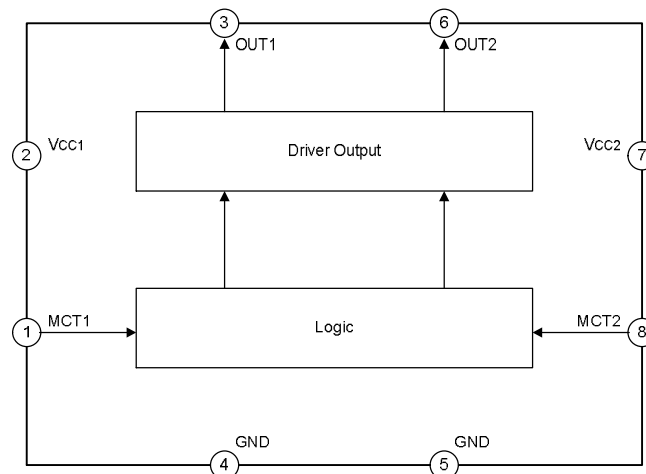
- * Applied in car model, plane model and small size model.
- * Operating temperature: -20~+85°C



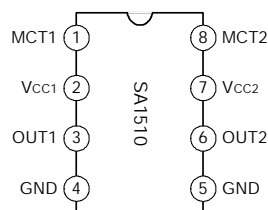
ORDERING INFORMATION

Device	Package
SA1510	DIP-8-300-2.54
SA1510S	SOP-8-225-1.27

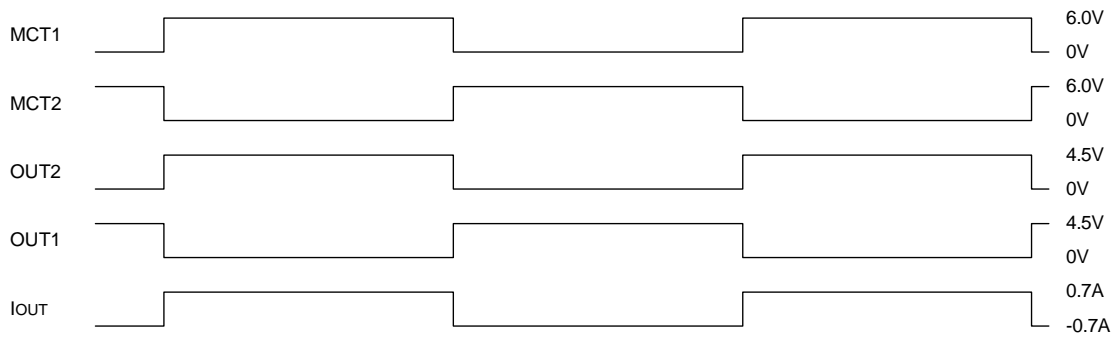
BLOCK DIAGRAM



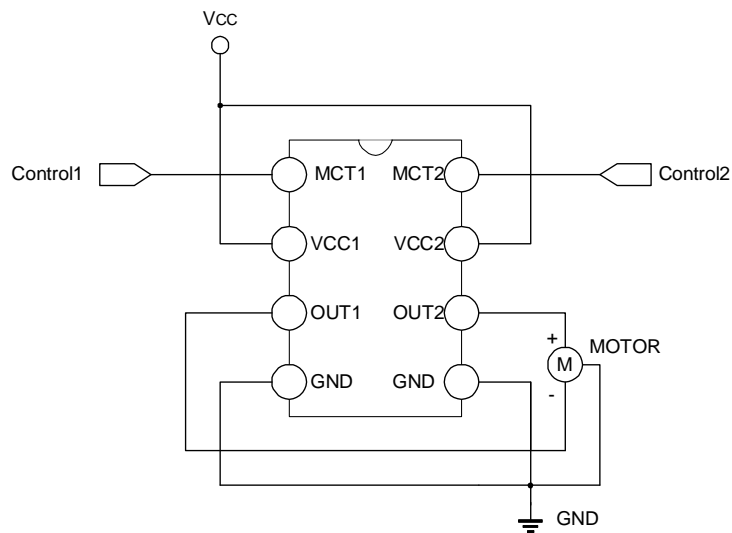
PIN CONFIGURATIONS



WAVE FORM (V_{CC}=6.0V, T_{amb}=27°C)



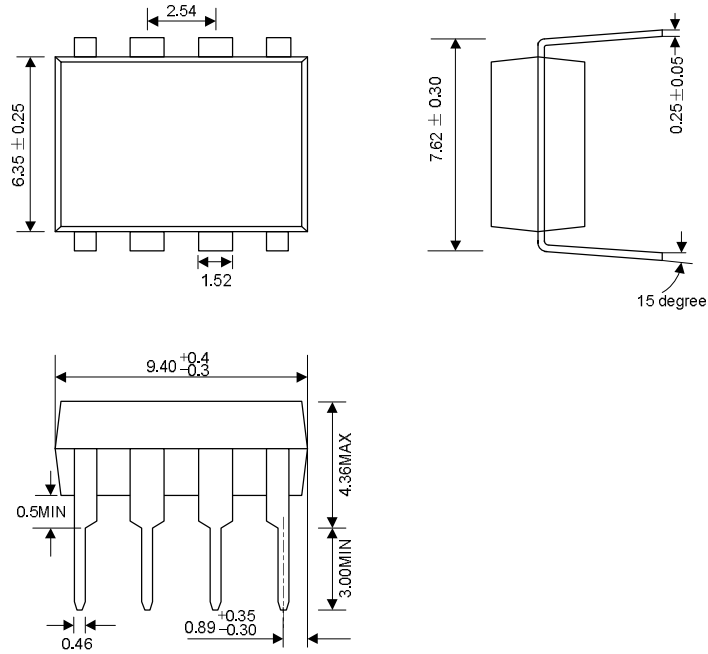
TYPICAL APPLICATION CIRCUIT



PACKAGE OUTLINE

DIP-8-300-2.54

Unit: mm



SOP-8-225-1.27

UNIT: mm

