

VC-MEMV-A2

Order No.: 1884335

The illustration shows version VC-MEMV-A4



<http://eshop.phoenixcontact.de/phoenix/treeViewClick.do?UID=1884335>

Panel mounting base, made of metal, EMC-coated type 2, number of modules 3, cable screw connection Pg21

Commercial data	
EAN	4017918164362
Pack	5 pcs.
Customs tariff	85389099
Weight/Piece	0.43004 KG
Catalog page information	Page 370 (PC-2009)

Product notes

WEEE/RoHS-compliant since:
11/08/2006



<http://www.download.phoenixcontact.com>
Please note that the data given here has been taken from the online catalog. For comprehensive information and data, please refer to the user documentation. The General Terms and Conditions of Use apply to Internet downloads.

Technical data**General characteristics**

Note	When using fiber optics, the bending radii of the cable manufacturers must be observed.
Design	VC2
Degree of protection	IP65/IP66/IP67
Type of the screw connection	1x Pg21
Pg screw connection	None
Height	55 mm
Number of module slots	3
Housing material	Zinc die-cast
Housing surface material	Nickel-plated
Seal material	EPDM, conductive
Ambient temperature (operation)	-40 °C ... 125 °C

Certificates / Approvals

Certification GOST

Accessories

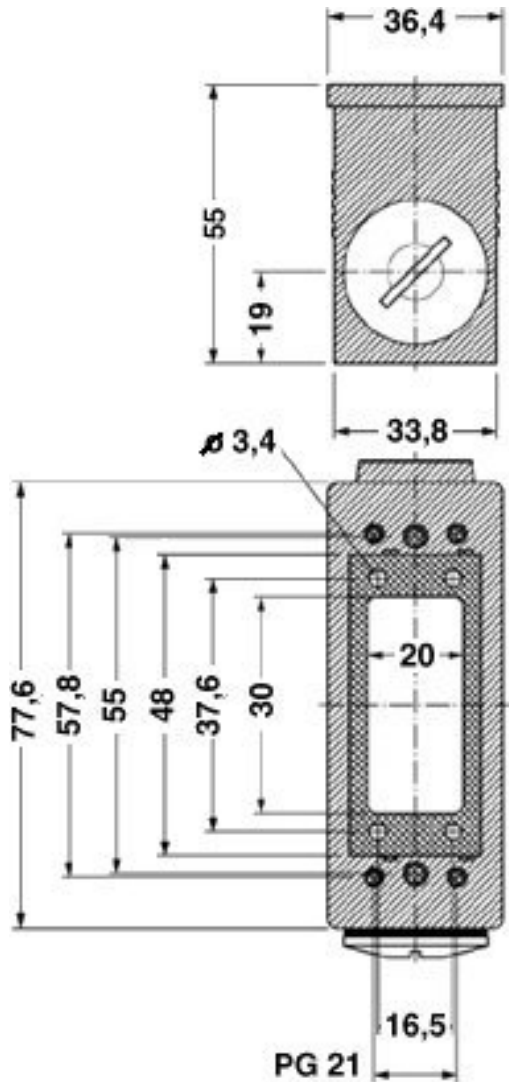
Item	Designation	Description
------	-------------	-------------

Marking

1852875	VC-BZS WH	Marker labels, unprinted, 5-section, for individual labeling with M-PEN or CMS system, white
---------	-----------	--

Diagrams/Drawings

Dimensioned drawing



Address

PHOENIX CONTACT Deutschland GmbH
Flachmarktstr. 8
32825 Blomberg, Germany
Phone +49 5235 3 12000
Fax +49 5235 3 41200
<http://www.phoenixcontact.de>



© 2010 Phoenix Contact
Technical modifications reserved;