



# TAI-SAW TECHNOLOGY CO., LTD.

No. 3, Industrial 2nd Rd., Ping-Chen Industrial District,  
Tao-Yuan, 324, Taiwan, R.O.C.

TEL: 886-3-4690038 FAX: 886-3-4697532

E-mail: [tstsales@mail.taisaw.com](mailto:tstsales@mail.taisaw.com) Web: [www.taisaw.com](http://www.taisaw.com)

## Approval Sheet for Product Specification

Issued Date:

Product Name: 575MHz IF SAW Filter (BW=30MHz)

TST Parts No.: TB0759A

Customer Parts No.: \_\_\_\_\_

Company: _____
Division: _____
Approved by : _____
Date: _____

Checked by: Andy Yu *Andy Yu*

Approval by: Francis Chen *Francis Chen*

Date: 04/20/2009



# TAI-SAW TECHNOLOGY CO., LTD.

No.3, Industrial 2nd Rd., Ping-Chen Industrial District, Taoyuan, Taiwan, R.O.C.

TEL: 886-3-4690038 FAX: 886-3-4697532

E-mail: [tstsales3@mail.taisaw.com](mailto:tstsales3@mail.taisaw.com) Web: [www.taisaw.com](http://www.taisaw.com)

SAW Filter 575MHz (SMD 5.0×5.0 mm)

MODEL NO.: TB0759A

Rev. NO. 1.0

## A. MAXIMUM RATING:

1. Operating Temperature: -20 °C ~ +75 °C
2. Storage Temperature: -40 °C ~ +85 °C
3. Input power: 10dBm

RoHS Compliant  
Lead free  
Lead-free soldering

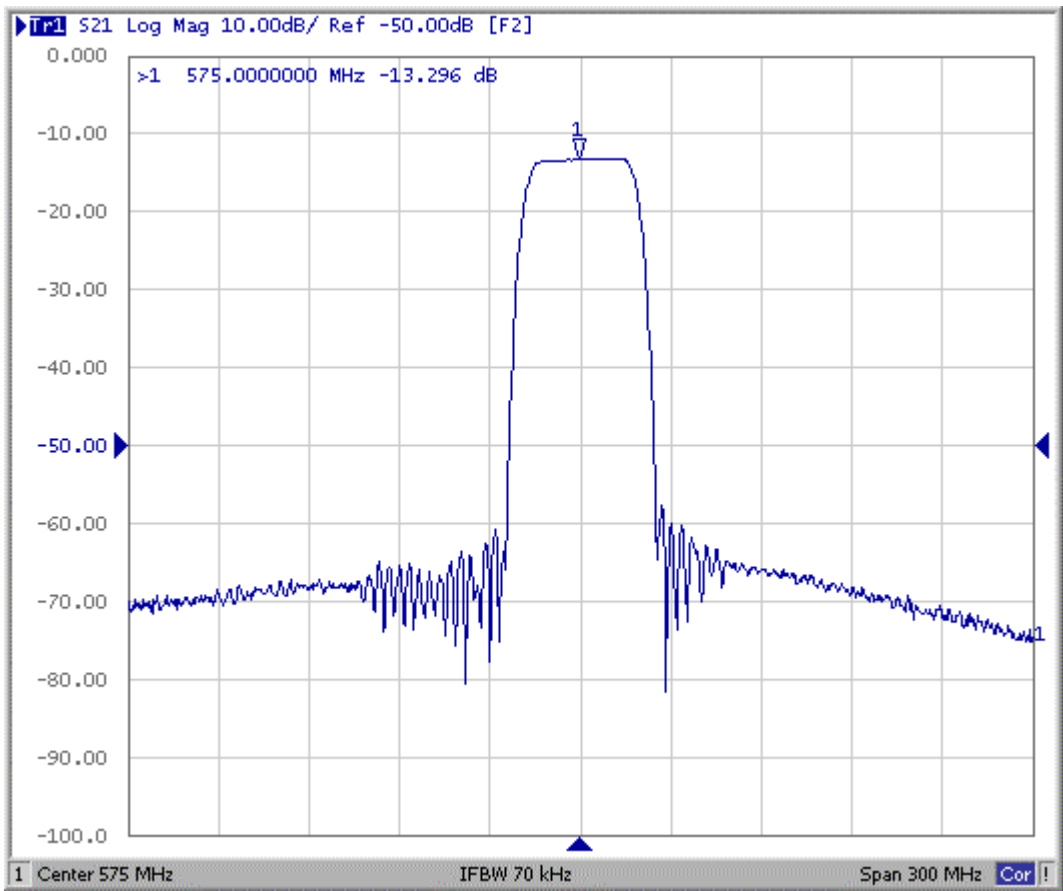
## B. Characteristics :

Ambient Temperature: 25 °C

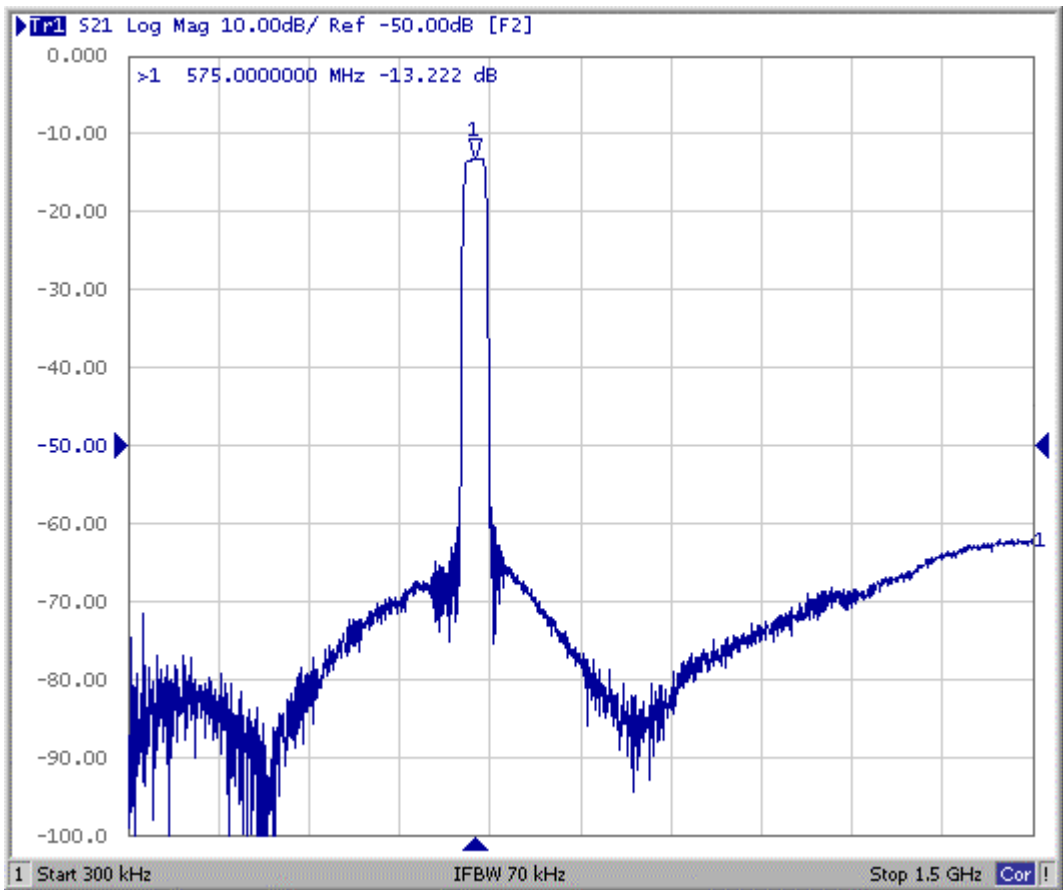
Characteristics		Value			Note	
		Min.	Typ.	Max.		
<b>Center frequency</b> $F_c$	MHz	-	575.0	-	-	
<b>Minimum Insertion loss</b> I.L.	dB	-	13.2	14.0	-	
<b>Amplitude Ripple</b> (560~590 MHz)	dB	-	0.8	1.5		
<b>Group Delay Variation</b> (560~590 MHz)	ns	-	10	45		
<b>Absolute group delay</b> (560~590 MHz)	ns	-	290	-	-	
<b>Attenuation (Reference level from 0 dB)</b>						
0 ~ 506	MHz	dB	50	65	-	-
506 ~ 536	MHz	dB	50	62	-	-
536 ~ 548	MHz	dB	45	60	-	-
638 ~ 656	MHz	dB	45	65	-	-
717 ~ 1000	MHz	dB	50	70		
1000 ~ 1500	MHz	dB	40	63		
Temp Coefficient		ppm/K	-	-23	-	-
<b>Matching:</b>						
1.The input of the filter will be matched to <u>50 ohm</u>						
2.The output of the filter will be matched to <u>50 ohm</u>						

### C.FREQUENCY CHARACTERISTICS:

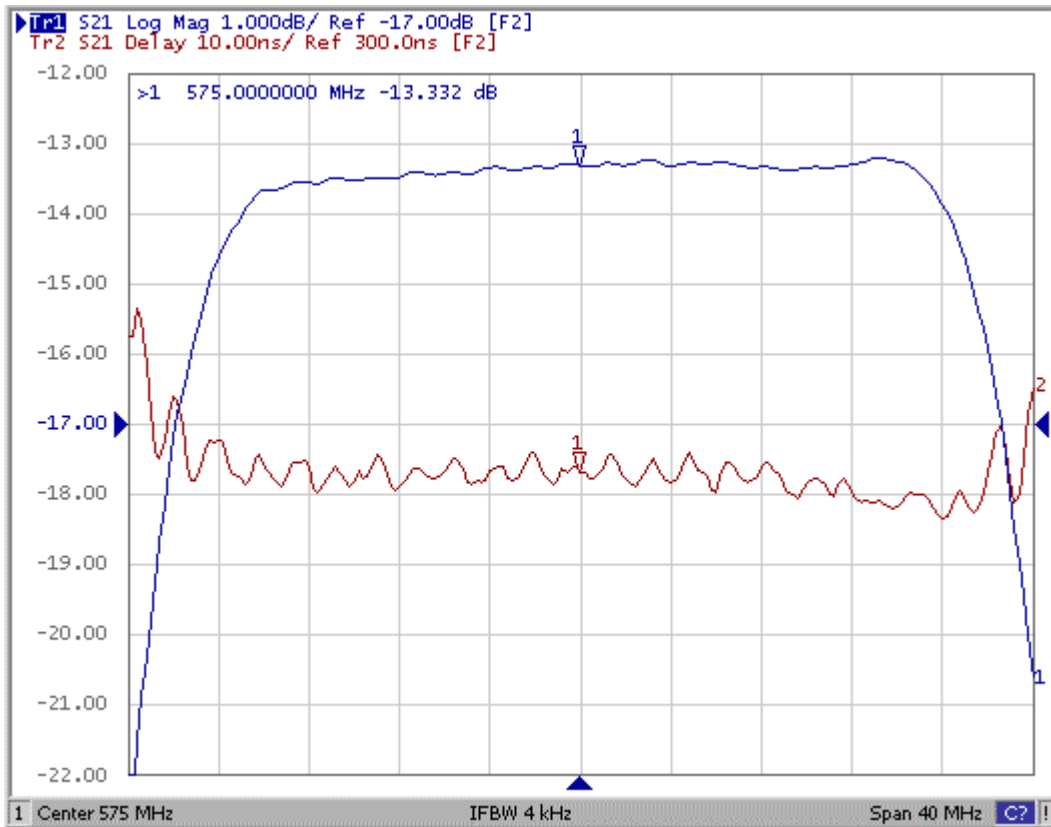
(1) S21 Response:(span 300MHz)



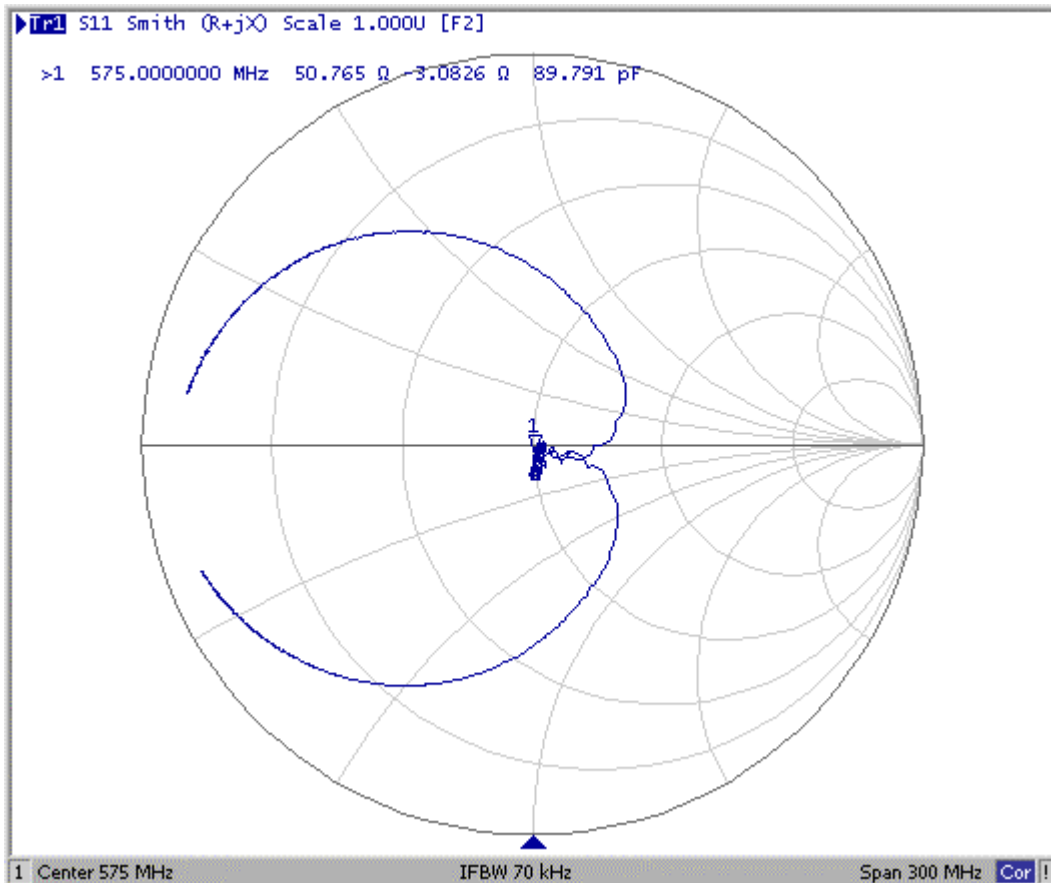
(2) S21 Response:(span 1.5GHz)



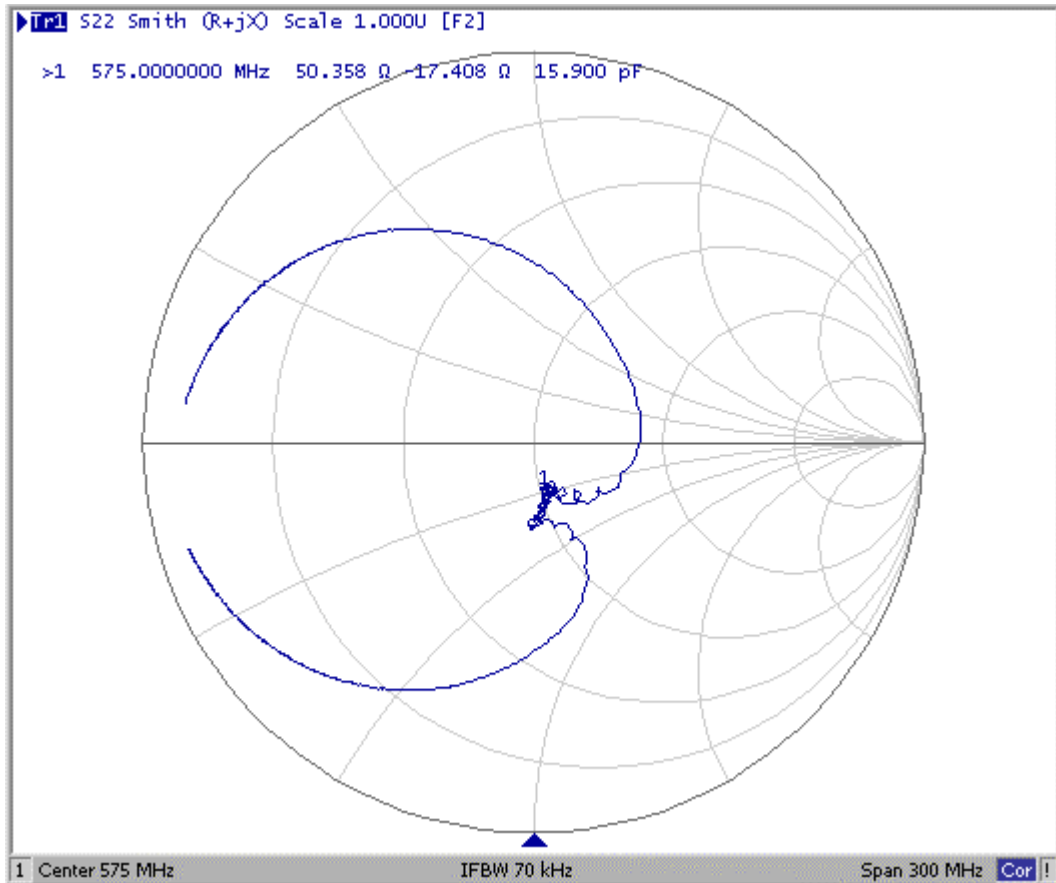
(3) Passband of Response: (span: 40MHz)



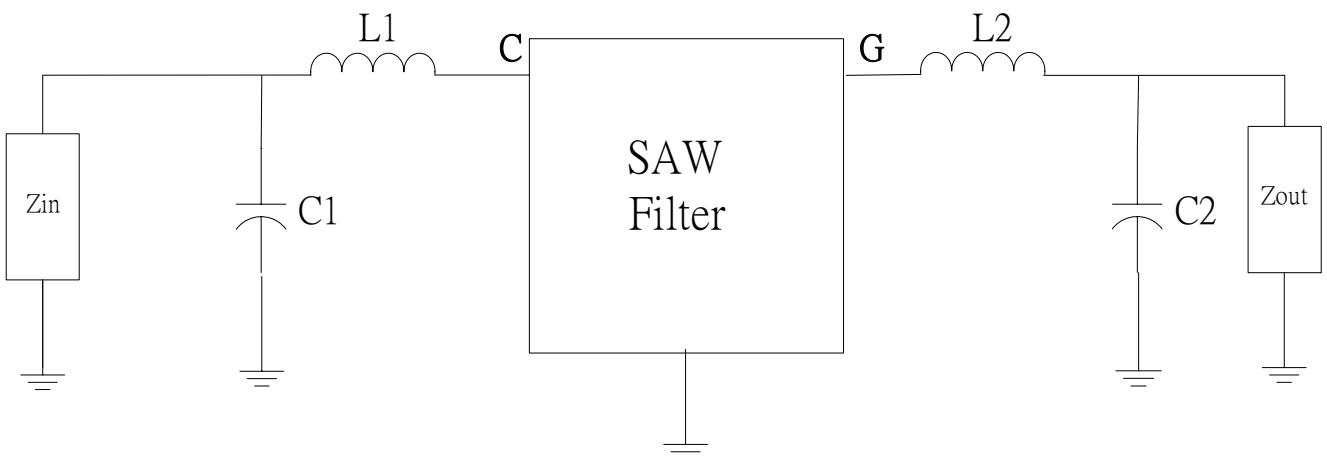
(4) S11 Smith Chart: (span 300MHz)



(5) S22 Smith Chart: (span 300MHz)

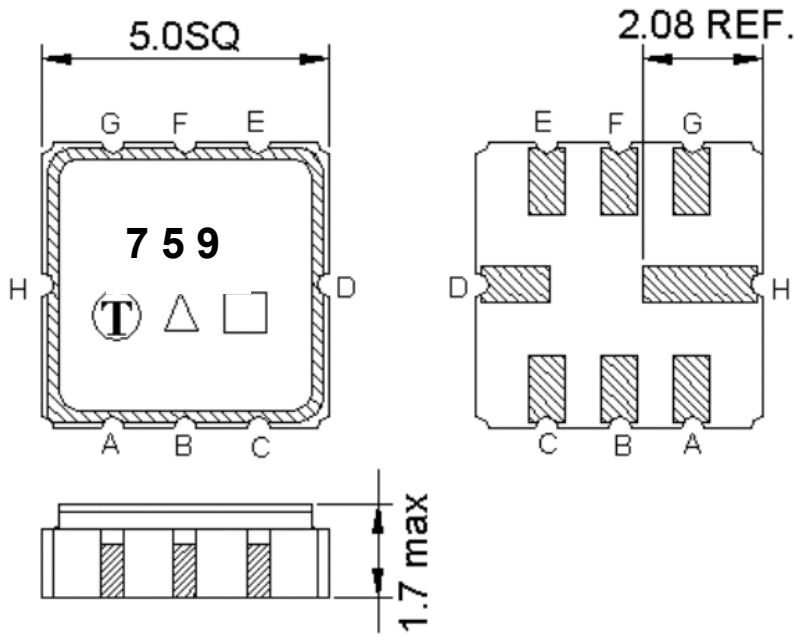


D. TEST CIRCUIT:



Zin and Zout are 50Ω  
 L1=6.8nH, C1=12pF, L2=10nH, C2=12pF

E. OUTLINE DRAWING:



Pin C: RF input

Pin G: RF output

Pin H,D: Case Ground

Pin A, B, E, F: Ground

□ : Week Code (Follow the table from planner each year)

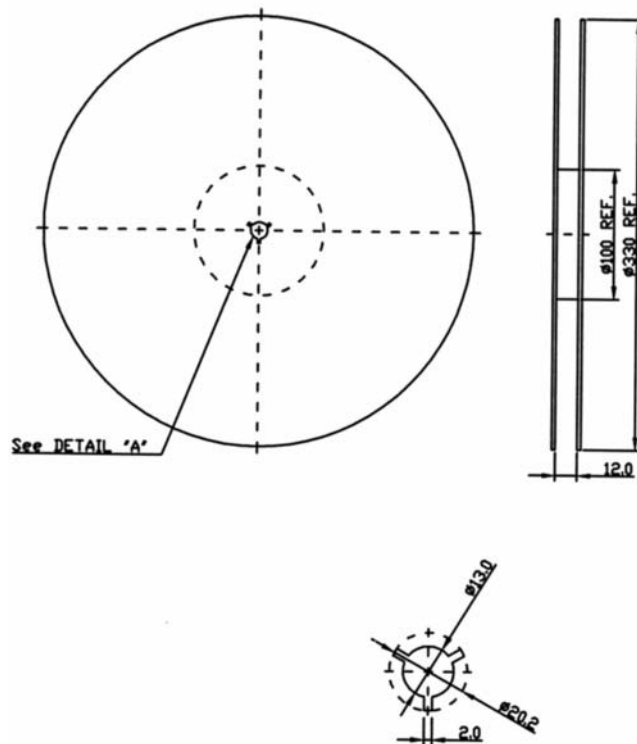
Unit : mm

△ : Product / Year Code

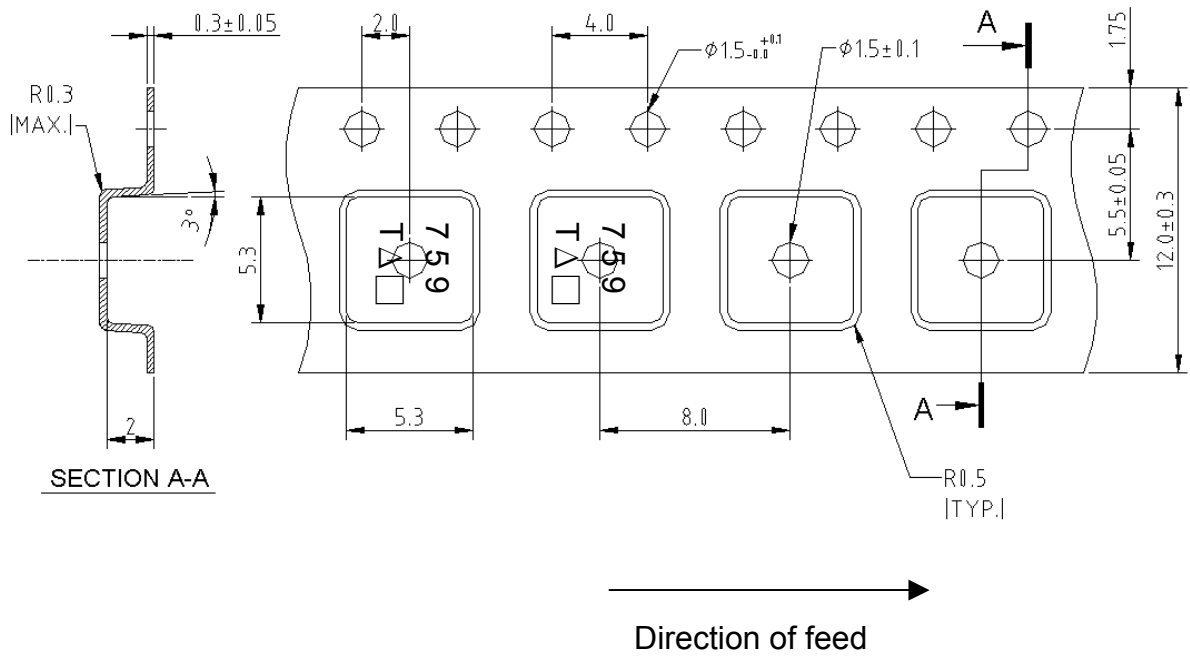
Year	2005 2009	2006 2010	2007 2011	2008 2012
Product Code	B	b	<u>B</u>	<u>b</u>

**F.PACKING:**

**1.REEL DIMENSION**



**2.TAPE DIMENSION**



G. Recommended Reflow Profile:

