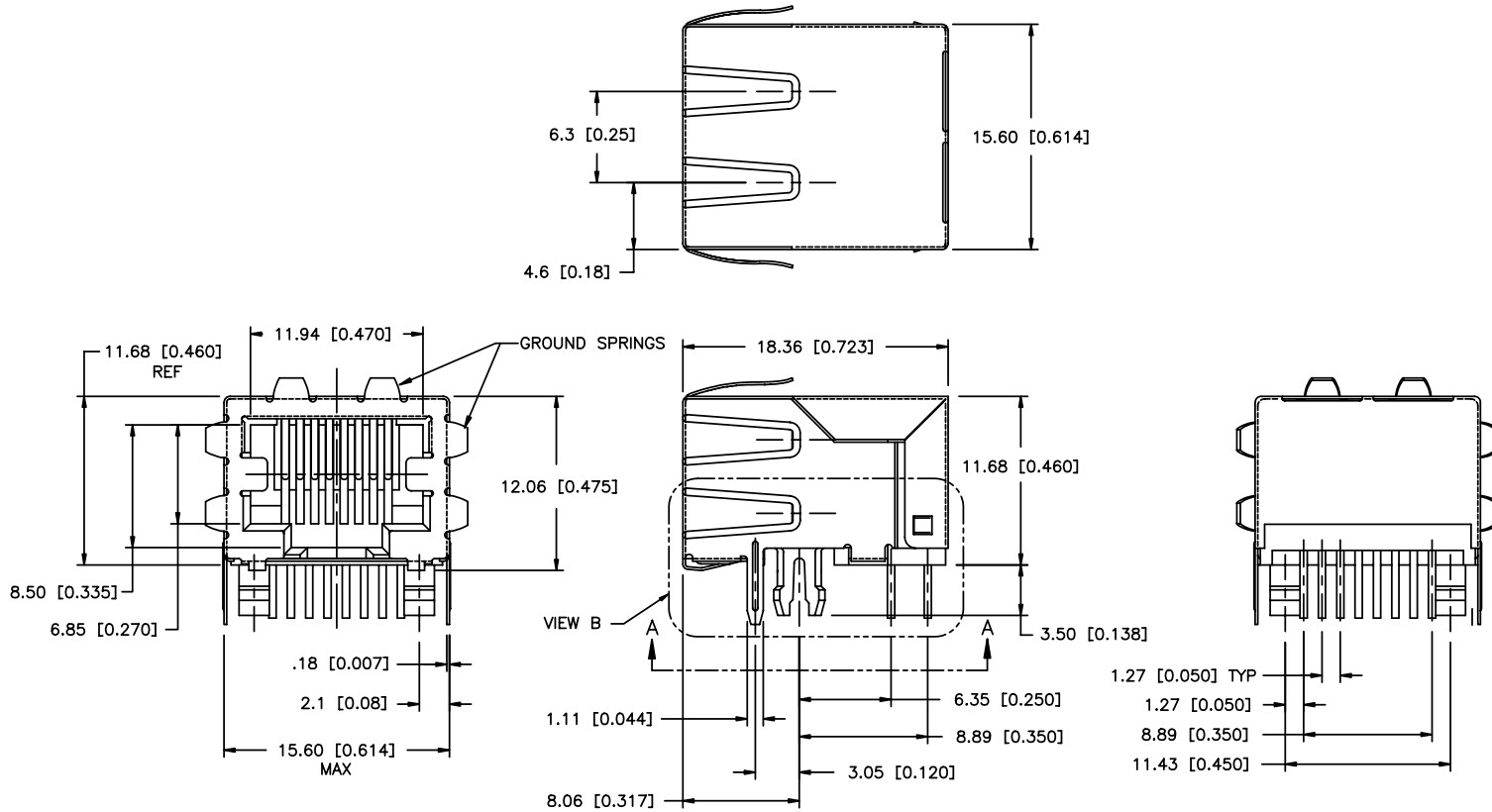


Tous droits strictement reserves. Reproduction ou communication a des tiers interdite sous quelque forme que ce soit sans autorisation ecrite du proprietaire. Propriete de c FCI. Droits de reproduction FCI.



All rights strictly reserved. Reproduction or issue to third parties in any form whatever is not permitted without written authority from the proprietor. Property of FCI. Copyright FCI.

PRODUCT NO.
SEE TABLE



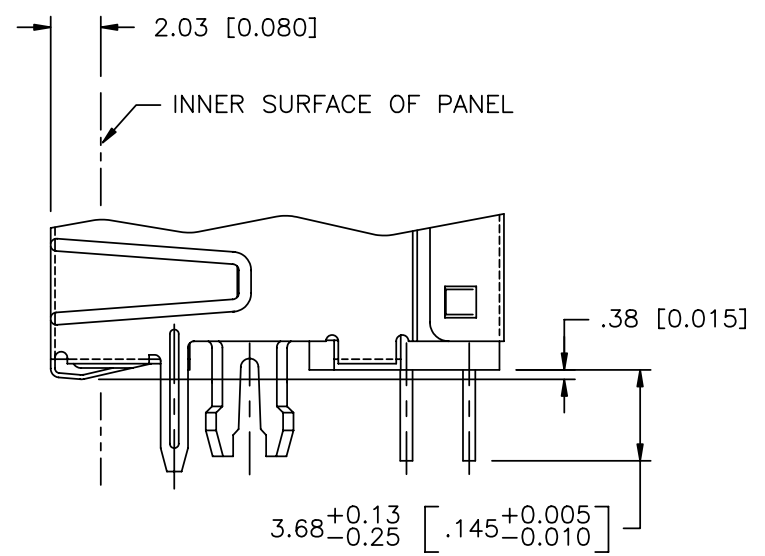
| | | | | | | | | |
|-------------|----------|-----|----------|---------------------------------------|--------------|---------------|--|------------------------|
| mat'l. code | | | | tolerances unless otherwise specified | | CUSTOMER COPY | www.fciconnect.com | |
| ltr | ecn no | dr | date | linear | angles | | | projection |
| F | V80459 | LP | 3/25/98 | .xx±.13/.xxx ±.005 | 0° ±2' | | 8 POS LOW PROFILE PCB III SHIELDED MODJACK ASSEMBLY | |
| G | V81277 | GAH | 3/25/98 | .xxx±.051/.xxxx ±.0020 | | | | product family MODJACK |
| H | V81819 | CGC | 10/27/98 | | | MM/INCH | size dwg no | |
| J | V00470 | BKB | 2/1/00 | dr | G.HULL | 5/28/96 | A | 72231 |
| K | V01040 | CSP | 6/1/00 | enr | Y.BELOPOLSKY | 5/28/96 | | |
| L | V03-1103 | PJ | 10/16/03 | chr | R.HOLLER | 5/28/96 | | |
| M | M05-0066 | ERE | 04/15/05 | appd | Y.BELOPOLSKY | 5/28/96 | | |
| sheet | revision | M | L | M | | | | |
| index | sheet | 1 | 2 | 3 | | | | |



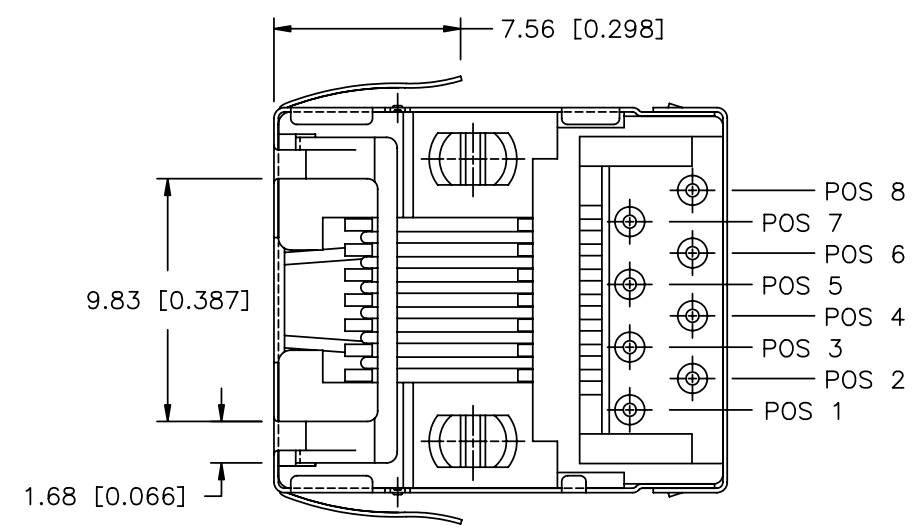
All rights strictly reserved. Reproduction or issue to third parties in any form whatever is not permitted without written authority from the proprietor. Property of FCI. Copyright FCI.

Tous droits strictement reserves. Reproduction ou communication a des tiers interdite sous quelque forme que ce soit sans autorisation ecrite du proprietaire. Propriete de c FCI. Droits de reproduction FCI.

PRODUCT NO.
SEE TABLE



VIEW B



VIEW A-A

| | | | | | | | | |
|-------------|----------------|---------------------------------------|------|------------------------|-------------|------------------------|--|----------------|
| mat'l. code | | tolerances unless otherwise specified | | CUSTOMER COPY | | www.fciconnect.com | | |
| ltr | ecn no | dr | date | linear | projection | title | | |
| L | | | | | | .X±.3/.XX ±.01/ | 8 POS LOW PROFILE PCB III SHIELDED MODJACK ASSEMBLY | product family |
| | | | | | | .XX±.13/.XXX ±.005 | | MODJACK |
| | | | | .XXX±.051/.XXXX ±.0020 | MM/INCH | size | 213 | |
| | | | | angles | | scale | 72231 | sheet |
| | | | | dr | 2:1 | 2 of 3 | | |
| | | | | enr | | | | |
| | | | | chr | | | | |
| | | | | appd | | | | |
| sheet index | revision sheet | | | | | | | |

Tous droits strictement reserves. Reproduction ou communication a des tiers interdite sous quelque forme que ce soit sans autorisation ecrite du proprietaire. Propriete de c FCI. Droits de reproduction FCI.



All rights strictly reserved. Reproduction or issue to third parties in any form whatever is not permitted without written authority from the proprietor. Property of FCI. Copyright FCI.

| | | | | | | | | | |
|-----------------------------|------------------------|-------------------------|------------------|--------|------------------------------|------------|------------|------------|------------|
| PRODUCT NO. SEE TABLE | | | | | | | | | |
| PRODUCT NO. 72231-X8YZLF | 8 POSITION HOUSING | OPTIONAL LOADING CODE Y | POSITIONS LOADED | CODE Z | GROUND SPRING CONFIGURATIONS | DIAGRAM #1 | DIAGRAM #2 | DIAGRAM #3 | DIAGRAM #4 |
| | | 4 | 3,4,5,6 | 1 | DIAGRAM #1 | | | | |
| | | 6 | 2,3,4,5,6,7 | 2 | DIAGRAM #2 | | | | |
| | | 8 | ALL POS | 3 | DIAGRAM #3 | | | | |
| | | | | 4 | DIAGRAM #4 | | | | |
| PLATING CODE X | PLATING ⑨ | | | | | | | | |
| 0 | .76uM/30u" GXT | | | | | | | | |
| 3 | .76uM/30u" Au | | | | | | | | |
| 5 | 1.27uM/50u" Au OVER Ni | | | | | | | | |

GROUND SPRING CONFIGURATIONS AS VIEWED FROM PORT SIDE

NOTE: PLEASE CHECK FOR AVAILABILITY, NOT ALL OPTIONS AVAILABLE.

RECOMMENDED PANEL OPENING

RECOMMENDED P.C.B. LAYOUT
AS VIEWED FROM TOP SIDE (COMPONENT SIDE)

NOTES:

- RECOMMENDED P.C.B. THICKNESS 1.60 [0.063].
- HOUSING MATL: HIGH TEMPERATURE THERMOPLASTIC MATERIAL, UL94V-0, COLOR BLACK.
- CONTACTS MATL: PHOS BRONZE ALLOY ROUND WIRE. SEE TABLE FOR PLATING.
- SHIELD MATL: PHOS BRONZE ALLOY, BRIGHT TIN PLATE OVER NICKEL UNDERPLATING PER BUS-15-002/M.
- TWO LAYERS OF HIGH TEMP. INSULATING TAPE BETWEEN SHIELD AND SIGNAL CONTACTS.
- LF SUFFIX AT THE END OF PART NUMBER IS LEAD FREE.
- THE HOUSING WILL WITHSTAND EXPOSURE TO 260°C PEAK TEMPERATURE FOR 15 SECONDS IN A WAVE SOLDER APPLICATION WITH A 1.5mm MINIMUM THICK CIRCUIT BOARD. SEE APPLICATION NOTES/PROCEDURES IF THEY ARE AVAILABLE.
- THIS PRODUCT MEETS EUROPEAN UNION DIRECTIVES AND OTHER COUNTRY REGULATION AS DESCRIBED IN GS-22-008.
- PLATING OPTIONS: MAY BE EITHER GOLD OR GXT PLATED AT MANUFACTURER'S OPTION.

| | | | | | | | |
|-------------|----------------|---------------------------------------|------|---------------|--------------|---|---------|
| mat'l. code | | tolerances unless otherwise specified | | CUSTOMER COPY | | www.fciconnect.com | |
| ltr | ecn no | dr | date | linear | projection | title | |
| M | | | | | | 8 POS LOW PROFILE PCB III SHIELDED MODJACK ASSEMBLY | |
| | | | | angles | MM/INCH | product family | code |
| | | | | dr | | G.HULL | MODJACK |
| | | | | enr | Y.BELOPOLSKY | size | dwg no |
| | | | | chr | R.HOLLER | scale | A |
| | | | | appd | Y.BELOPOLSKY | | |
| sheet index | revision sheet | | | | | | |
| | | | | | | | |

cage code

PDM: Rev:M STATUS: Released 26 Printed: Feb 20, 2010