



Features

- Quick response for surge.
- High impulse current capacity.
- It can withstand alternating current.
- Excellent insulation resistance and small capacitance.
- Recommendation of ITU-T conformity.



Safety Agency : Standard		Report NO.
UL	UL497B	E139599



Applications

- Telephone, PBX, Wireless base station, Optical transmission equipments, CATV transmission equipments, Fire alarm systems and Home security systems. RoHS restriction complied.

Electrical Specifications (Low Voltage Type)

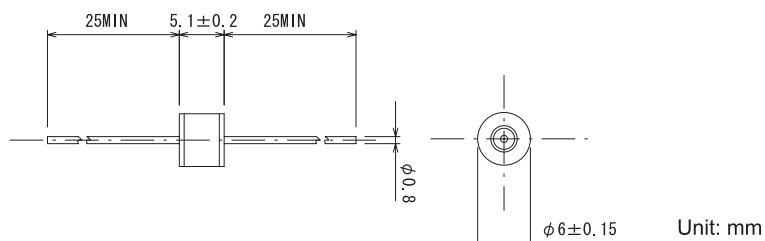
(Comforms to ITU-T)

Safety Agency	Model Number	DC Spark-Over Voltage 100V/s ~ 500V/s (V)	Impulse Spark-Over Voltage 100V/μs Max. (V)	Impulse Discharge Current 8/20μs (kA)	Alternating Discharge Current 50Hz/1sec. 10 times (A)	Impulse Life Test 10/1000μs 100A (times)	Insulation Resistance Min. (MΩ)	Capacitance Max. (pF)
	R26-900-BGL	90V±20%	450	5	5	300	10 ⁴	1.5
	R26-151-BGL	150V±20%	500	5	5	300	10 ⁴	1.5
	R26-231-BGL	230V±20%	600	5	5	300	10 ⁴	1.5
	R26-251-BGL	250V±20%	600	5	5	300	10 ⁴	1.5
	R26-301-BGL	300V±20%	650	5	5	300	10 ⁴	1.5
	R26-351-BGL	350V±20%	750	5	5	300	10 ⁴	1.5
	R26-401-BGL	400V±20%	800	5	5	300	10 ⁴	1.5
	R26-471-BGL	470V±20%	900	5	5	300	10 ⁴	1.5
	R26-601-BGL	600V±20%	1300	5	5	300	10 ⁴	1.5

Electrical Specifications (High Voltage Type)

Model Number	DC Spark-Over Voltage 500V/s (V)	Impulse Discharge Current 8/20μs (kA)	Impulse Life Test 8/20μs 100A (times)	Insulation Resistance Min. (MΩ)	Capacitance Max. (pF)	Withstand Voltage test
R26-801-BGL	800V±20%	5	300	10 ⁴	1.5	—
R26-102-BGL	1000V±20%	5	300	10 ⁴	1.5	—
R26-152-BGL	1500V±20%	5	300	10 ⁴	1.5	—
R26-242-BGL	2400V±20%	5	300	10 ⁴	1.5	AC1250V 3s
R26-302-BGL	3000V±20%	5	300	10 ⁴	1.5	AC1500V 60s
R26-362-BGL	3600V±20%	5	300	10 ⁴	1.5	AC1800V 3s

Dimensions



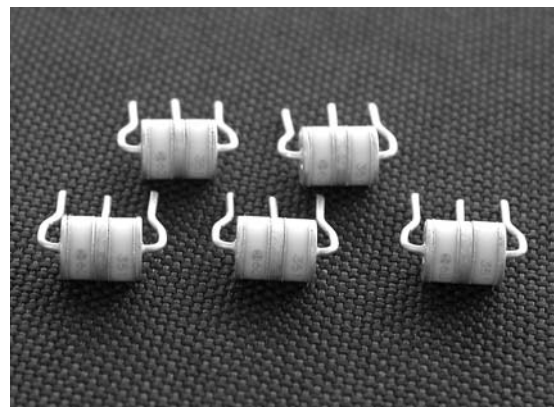
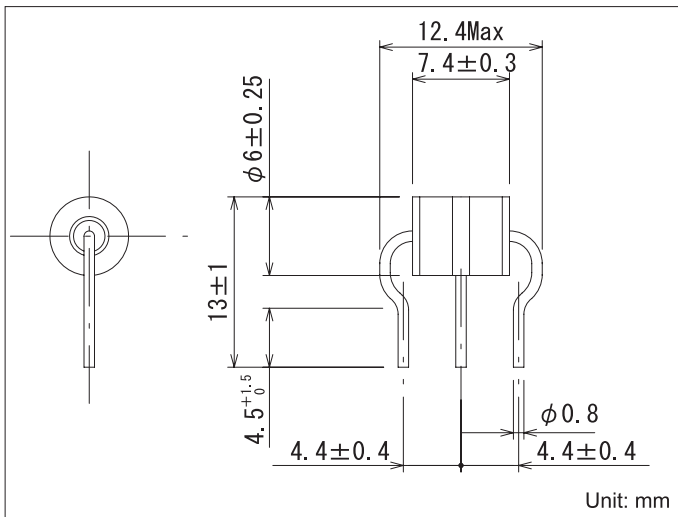


Electrical Specifications

(Comforms to ITU-T)

Safety Agency	Model Number	DC Spark-Over Voltage 100V/s ~ 500V/s (V)	Impulse Spark-Over Voltage 100V/μs Max. (V)	Impulse Discharge Current 8/20μs (kA)	Alternating Discharge Current 50Hz/1sec. 10 times (A)	Impulse Life Test 10/1000μs 100A (times)	Insulation Resistance Min. (MΩ)	Capacitance Max. (pF)
	R36-900-BPL	90V±20%	450	5	5	300	10 ⁴	1.5
	R36-231-BPL	230V±20%	600	5	5	300	10 ⁴	1.5
	R36-261-BPL	260V±20%	600	5	5	300	10 ⁴	1.5
	R36-351-BPL	350V±20%	750	5	5	300	10 ⁴	1.5
	R36-421-BPL	420V±20%	900	5	5	300	10 ⁴	1.5
	R36-601-BPL	600V±20%	1300	5	5	300	10 ⁴	1.5

Dimensions



Part Numbering Systems

