

Silicon NPN Power Transistors

MJW16018

DESCRIPTION

- With TO-247 package
- High voltage ,high speed

APPLICATIONS

- Switching Regulators
- Inverters
- Solenoids
- Relay Drivers
- Motor Controls
- Deflection Circuits

PINNING

PIN	DESCRIPTION
1	Base
2	Collector;connected to mounting base
3	Emitter

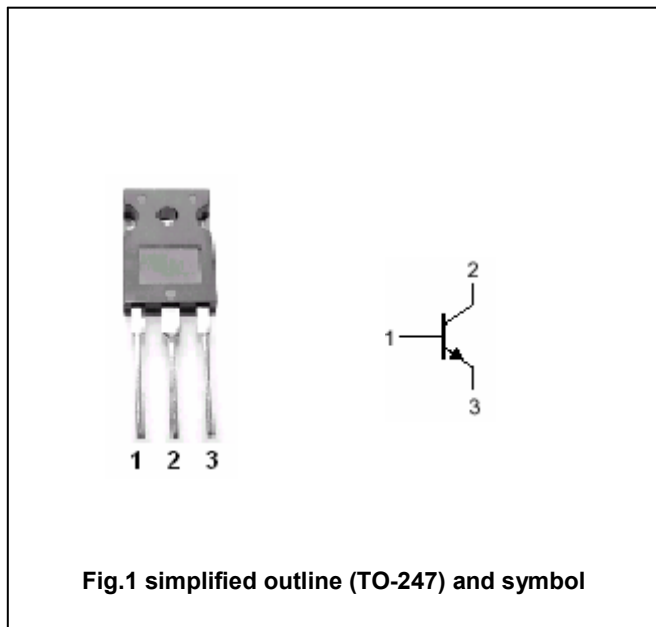


Fig.1 simplified outline (TO-247) and symbol

ABSOLUTE MAXIMUM RATINGS(T_c=25℃)

SYMBOL	PARAMETER	CONDITIONS	VALUE	UNIT
V _{CBO}	Collector-base voltage	Open emitter	1500	V
V _{CEO}	Collector-emitter voltage	Open base	800	V
V _{EBO}	Emitter-base voltage	Open collector	6	V
I _C	Collector current		10	A
I _{CM}	Collector current-Peak		15	A
I _B	Base current		8	A
I _{BM}	Base current-Peak		12	A
P _D	Total power dissipation	T _c =25℃ T _c =100℃	125 50	W
T _j	Junction temperature		150	℃
T _{stg}	Storage temperature		-55~150	℃

THERMAL CHARACTERISTICS

SYMBOL	PARAMETER	VALUE	UNIT
R _{th j-c}	Thermal resistance junction to case	1.0	℃/W

Silicon NPN Power Transistors

MJW16018

CHARACTERISTICS

T_j=25 °C unless otherwise specified

SYMBOL	PARAMETER	CONDITIONS	MIN	TYP.	MAX	UNIT
V _{CEO(SUS)}	Collector-emitter sustaining voltage	I _C =50mA; I _B =0	800			V
V _{CE(sat)-1}	Collector-emitter saturation voltage	I _C =5A ; I _B =2A T _C =110 °C			1.0 1.5	V
V _{CE(sat)-2}	Collector-emitter saturation voltage	I _C =10A ; I _B =5A			5.0	V
V _{BE(sat)}	Base-emitter saturation voltage	I _C =5A ; I _B =2A T _C =110 °C			1.5 1.5	V
I _{CEV}	Collector cut-off current	V _{CEV} =1500V, V _{BE(off)} =1.5Vdc T _C =100 °C			0.25 1.50	mA
I _{CER}	Collector cut-off current	V _{CE} =1500V; R _{BE} =50Ω T _C =100 °C			2.5	mA
I _{EBO}	Emitter cut-off current	V _{EB} =6V; I _C =0			0.1	mA
h _{FE}	DC current gain	I _C =5A ; V _{CE} =5V	4			
C _{OB}	Collector outoutput capacitance	I _E =0; f=1kHz ; V _{CB} =10V			450	pF

Switching times resistive load

t _d	Delay time	I _C =5A; I _{B1} = I _{B2} =2.0A V _{CC} =250V , R _{B2} =3Ω PW=25μs Duty Cycles≤2%		0.085	0.2	μs
t _r	Rise time			0.90	2.0	μs
t _s	Storage time			4.5	9.0	μs
t _f	Fall time			0.2	0.4	μs

Silicon NPN Power Transistors

MJW16018

PACKAGE OUTLINE

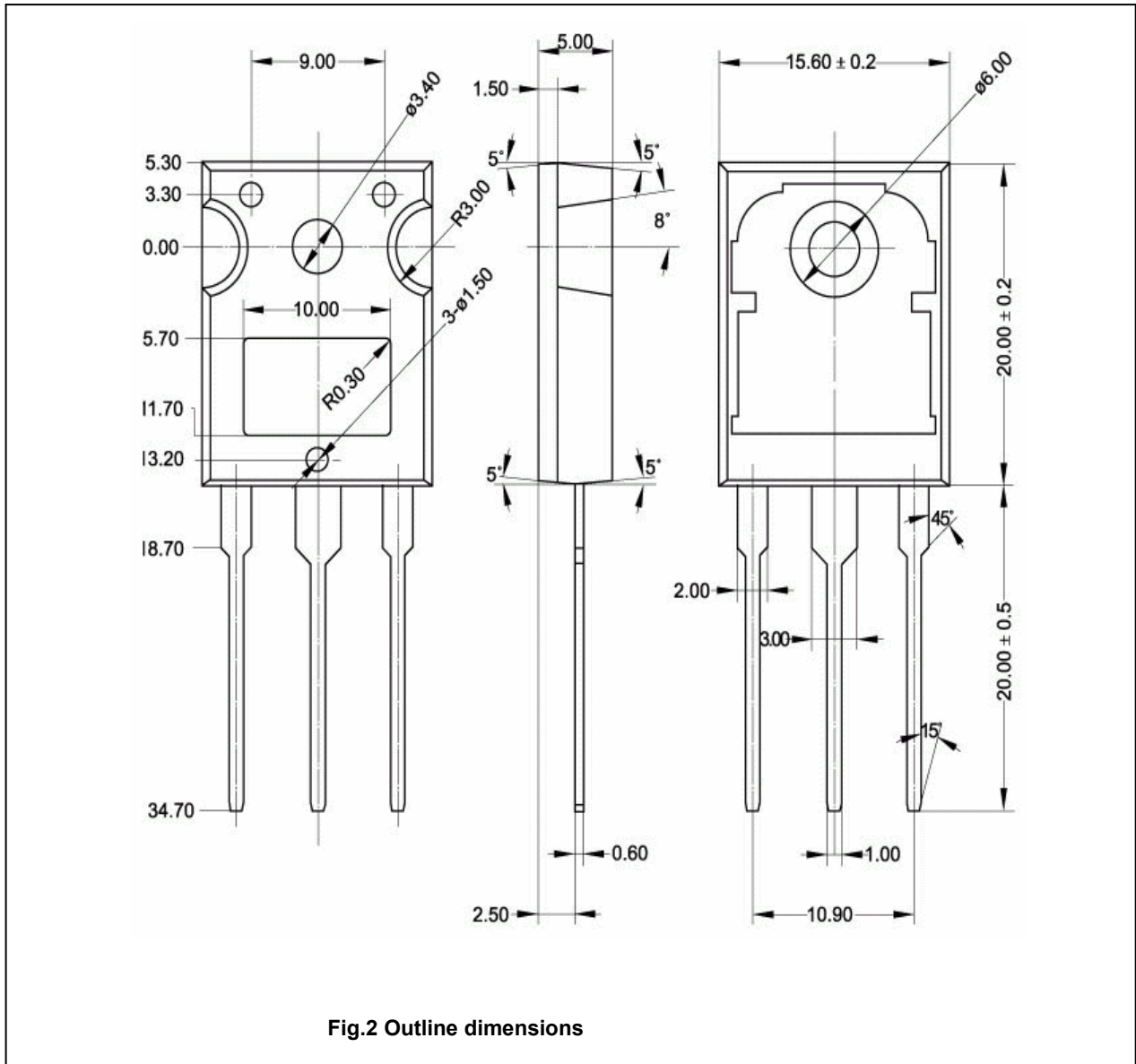


Fig.2 Outline dimensions