

# Compact, Low-Cost 1S/2S Fuel Gauges

## General Description

The MAX17040/MAX17041 are ultra-compact, low-cost, host-side fuel-gauge systems for lithium-ion (Li+) batteries in handheld and portable equipment. The MAX17040 is configured to operate with a single lithium cell and the MAX17041 is configured for a dual-cell 2S pack.

The MAX17040/MAX17041 use a sophisticated Li+ battery-modeling scheme, called ModelGauge™ to track the battery's relative state-of-charge (SOC) continuously over a widely varying charge/discharge profile. Unlike traditional fuel gauges, the ModelGauge algorithm eliminates the need for battery relearn cycles and an external current-sense resistor. Temperature compensation is possible in the application with minimal interaction between a  $\mu\text{C}$  and the device.

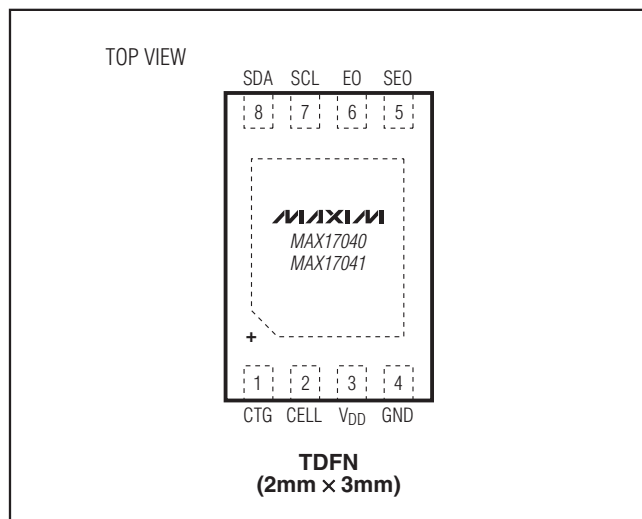
A quick-start mode provides a good initial estimate of the battery's SOC. This feature allows the IC to be located on system side, reducing cost and supply chain constraints on the battery. Measurement and estimated capacity data sets are accessed through an I<sup>2</sup>C interface. The MAX17040/MAX17041 are available in a small, 2mm x 3mm, 8-pin TDFN lead-free package.

## Applications

Smart Phones	Portable DVD Players
MP3 Players	GPS Systems
Digital Still Cameras	Handheld and Portable Applications
Digital Video Cameras	

ModelGauge is a trademark of Maxim Integrated Products, Inc.

## Pin Configuration



## Features

- ◆ Host-Side or Battery-Side Fuel Gauging  
1 Cell (MAX17040)  
2 Cell (MAX17041)
- ◆ Precision Voltage Measurement  
±12.5mV Accuracy to 5.00V (MAX17040)  
±30mV Accuracy to 10.00V (MAX17041)
- ◆ Accurate Relative Capacity (RSOC) Calculated from ModelGauge Algorithm
- ◆ No Offset Accumulation on Measurement
- ◆ No Full-to-Empty Battery Relearning Necessary
- ◆ No Sense Resistor Required
- ◆ 2-Wire Interface
- ◆ Low Power Consumption
- ◆ Tiny, Lead-Free, 8-Pin, 2mm x 3mm TDFN Package

## Ordering Information

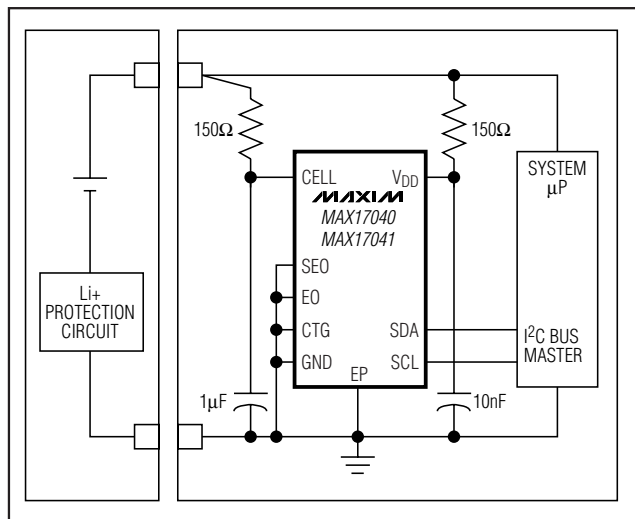
PART	TEMP RANGE	PIN-PACKAGE
MAX17040G+U	-20°C to +70°C	8 TDFN-EP*
MAX17040G+T	-20°C to +70°C	8 TDFN-EP*
MAX17041G+U	-20°C to +70°C	8 TDFN-EP*
MAX17041G+T	-20°C to +70°C	8 TDFN-EP*

+Denotes a lead(Pb)-free/RoHS-compliant package.

T = Tape and reel.

\*EP = Exposed pad.

## Simplified Operating Circuit



# Compact, Low-Cost 1S/2S Fuel Gauges

## ABSOLUTE MAXIMUM RATINGS

Voltage on CTG Pin Relative to  $V_{SS}$  .....-0.3V to +12V  
 Voltage on CELL Pin Relative to  $V_{SS}$  .....-0.3V to +12V  
 Voltage on All Other Pins Relative to  $V_{SS}$  .....-0.3V to +6V  
 Operating Temperature Range .....-40°C to +85°C

Power Dissipation .....1333mW at +70°C (derate 16.7mW/°C)  
 Storage Temperature Range .....-55°C to +125°C  
 Lead Temperature (soldering, 10s) .....+300°C  
 Soldering Temperature (reflow) .....+260°C

Stresses beyond those listed under "Absolute Maximum Ratings" may cause permanent damage to the device. These are stress ratings only, and functional operation of the device at these or any other conditions beyond those indicated in the operational sections of the specifications is not implied. Exposure to absolute maximum rating conditions for extended periods may affect device reliability.

## ELECTRICAL CHARACTERISTICS RECOMMENDED DC OPERATING CONDITIONS

( $2.5V \leq V_{DD} \leq 4.5V$ ,  $T_A = -20^\circ\text{C}$  to  $+70^\circ\text{C}$ , unless otherwise noted.)

PARAMETER	SYMBOL	CONDITIONS	MIN	TYP	MAX	UNITS
Supply Voltage	$V_{DD}$	(Note 1)	+2.5		+4.5	V
Data I/O Pins	SCL, SDA, EO, SEO	(Note 1)	-0.3		+5.5	V
MAX17040 CELL Pin	$V_{CELL}$	(Note 1)	-0.3		+5.0	V
MAX17041 CELL Pin	$V_{CELL}$	(Note 1)	-0.3		+10.0	V

## DC ELECTRICAL CHARACTERISTICS

( $2.5V \leq V_{DD} \leq 4.5V$ ,  $T_A = -20^\circ\text{C}$  to  $+70^\circ\text{C}$ , unless otherwise noted. Contact Maxim for  $V_{DD}$  greater than 4.5V.)

PARAMETER	SYMBOL	CONDITIONS	MIN	TYP	MAX	UNITS
Active Current	$I_{ACTIVE}$	With on-chip clock in use		50	75	$\mu\text{A}$
		With external 32kHz clock		40	65	
Sleep-Mode Current (Note 2)	$I_{SLEEP}$	$V_{DD} = 2.0V$		0.5	1.0	$\mu\text{A}$
				1	3	
Time-Base Accuracy (Note 3)	$t_{ERR}$	$V_{DD} = 3.6V$ at $+25^\circ\text{C}$	-1		+1	%
		$T_A = 0^\circ\text{C}$ to $+70^\circ\text{C}$	-2		+2	
		$T_A = -20^\circ\text{C}$ to $+70^\circ\text{C}$	-3		+3	
MAX17040 Voltage-Measurement Error	$V_{GERR}$	$T_A = +25^\circ\text{C}$ , $V_{IN} = V_{DD}$	-12.5		+12.5	mV
MAX17041 Voltage-Measurement Error		$T_A = +25^\circ\text{C}$ , $5.0V < V_{IN} < 9.0V$	-30		+30	
		$5.0 < V_{IN} < 9.0$	-60		+60	
CELL Pin Input Impedance	$R_{CELL}$		15			$\text{M}\Omega$
Input Logic-High: SCL, SDA, EO, SEO	$V_{IH}$	(Note 1)	1.4			V
Input Logic-Low: SCL, SDA, EO, SEO	$V_{IL}$	(Note 1)			0.5	V
Output Logic-Low: SDA	$V_{OL}$	$I_{OL} = 4\text{mA}$ (Note 1)			0.4	V
Pulldown Current: SCL, SDA	$I_{PD}$	$V_{DD} = 4.5V$ , $V_{PIN} = 0.4V$		0.2		$\mu\text{A}$
Input Capacitance: EO	$C_{BUS}$				50	pF
Bus Low Timeout	$t_{SLEEP}$	(Note 4)	1.75		2.5	s

# Compact, Low-Cost 1S/2S Fuel Gauges

MAX17040/MAX17041

## ELECTRICAL CHARACTERISTICS: 2-WIRE INTERFACE

( $2.5V \leq V_{DD} \leq 4.5V$ ,  $T_A = -20^\circ C$  to  $+70^\circ C$ .)

PARAMETER	SYMBOL	CONDITIONS	MIN	TYP	MAX	UNITS
SCL Clock Frequency	$f_{SCL}$	(Note 5)	0		400	kHz
Bus Free Time Between a STOP and START Condition	$t_{BUF}$		1.3			$\mu s$
Hold Time (Repeated) START Condition	$t_{HD:STA}$	(Note 5)	0.6			$\mu s$
Low Period of SCL Clock	$t_{LOW}$		1.3			$\mu s$
High Period of SCL Clock	$t_{HIGH}$		0.6			$\mu s$
Setup Time for a Repeated START Condition	$t_{SU:STA}$		0.6			$\mu s$
Data Hold Time	$t_{HD:DAT}$	(Notes 6, 7)	0		0.9	$\mu s$
Data Setup Time	$t_{SU:DAT}$	(Note 6)	100			ns
Rise Time of Both SDA and SCL Signals	$t_R$		20 + $0.1C_B$		300	ns
Fall Time of Both SDA and SCL Signals	$t_F$		20 + $0.1C_B$		300	ns
Setup Time for STOP Condition	$t_{SU:STO}$		0.6			$\mu s$
Spike Pulse Widths Suppressed by Input Filter	$t_{SP}$	(Note 8)	0		50	ns
Capacitive Load for Each Bus Line	$C_B$	(Note 9)			400	pF
SCL, SDA Input Capacitance	$C_{BIN}$				60	pF

**Note 1:** All voltages are referenced to  $V_{SS}$ .

**Note 2:** SDA, SCL =  $V_{SS}$ ; EO, SEO idle.

**Note 3:** External time base on EO pin must meet this specification.

**Note 4:** The MAX17040/MAX17041 enter Sleep mode 1.75s to 2.5s after ( $SCL < V_{IL}$ ) AND ( $SDA < V_{IL}$ ).

**Note 5:**  $f_{SCL}$  must meet the minimum clock low time plus the rise/fall times.

**Note 6:** The maximum  $t_{HD:DAT}$  has only to be met if the device does not stretch the low period ( $t_{LOW}$ ) of the SCL signal.

**Note 7:** This device internally provides a hold time of at least 75ns for the SDA signal (referred to the  $V_{IHMIN}$  of the SCL signal) to bridge the undefined region of the falling edge of SCL.

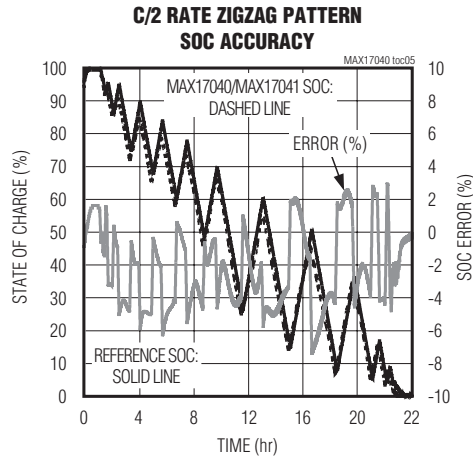
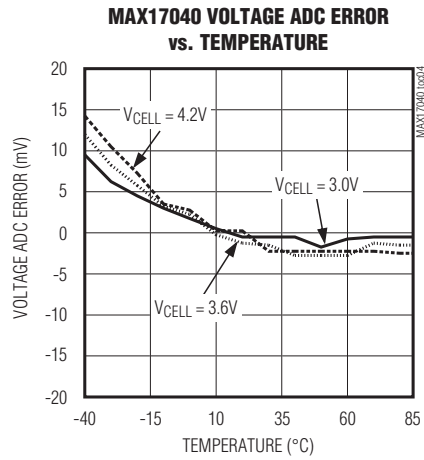
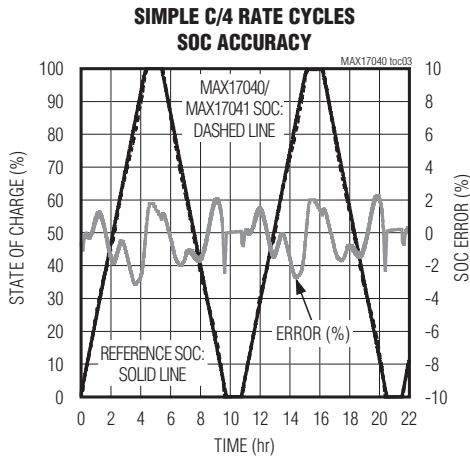
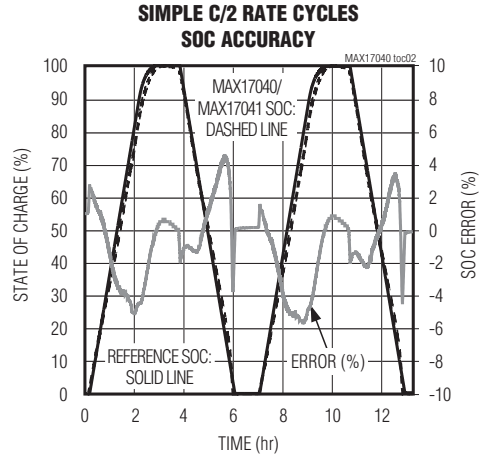
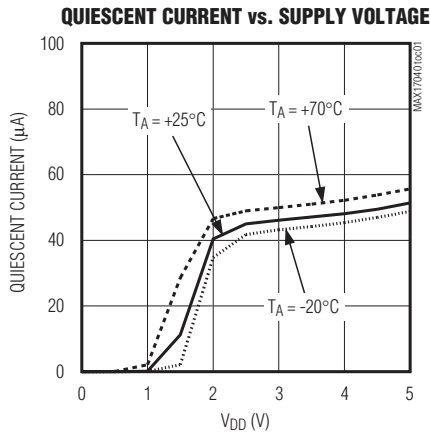
**Note 8:** Filters on SDA and SCL suppress noise spikes at the input buffers and delay the sampling instant.

**Note 9:**  $C_B$ —total capacitance of one bus line in pF.

# Compact, Low-Cost 1S/2S Fuel Gauges

## Typical Operating Characteristics

( $T_A = +25^\circ\text{C}$ , unless otherwise noted.)



# Compact, Low-Cost 1S/2S Fuel Gauges

## Pin Description

PIN	NAME	FUNCTION
1	CTG	Connect to Ground. Connect to V <sub>SS</sub> during normal operation.
2	CELL	Battery Voltage Input. The voltage of the cell pack is measured through this pin.
3	V <sub>DD</sub>	Power-Supply Input. 2.5V to 4.5V input range. Connect to system power through a decoupling network. Connect a 10nF typical decoupling capacitor close to pin.
4	GND	Ground. Connect to the negative power rail of the system.
5	SEO	External 32kHz Clocking Signal Enable Input. Input to enable external clocking signal on EO pin with a pullup state. A pulldown state to configure the interrupt feature. External 32kHz clock enable. Connects logic-low to enable external interrupt.
6	EO	External 32kHz Clocking Signal. Input for external clocking signal to be the primary system clock. Configured to implement interrupt feature with a pulldown set on SEO pin.
7	SCL	Serial Clock Input. Input only 2-wire clock line. Connect this pin to the CLOCK signal of the 2-wire interface. This pin has a 0.2μA typical pulldown to sense disconnection.
8	SDA	Serial Data Input/Output. Open-drain 2-wire data line. Connect this pin to the DATA signal of the 2-wire interface. This pin has a 0.2μA typical pulldown to sense disconnection.
—	EP	Exposed Pad. Connect PD to ground.

MAX17040/MAX17041

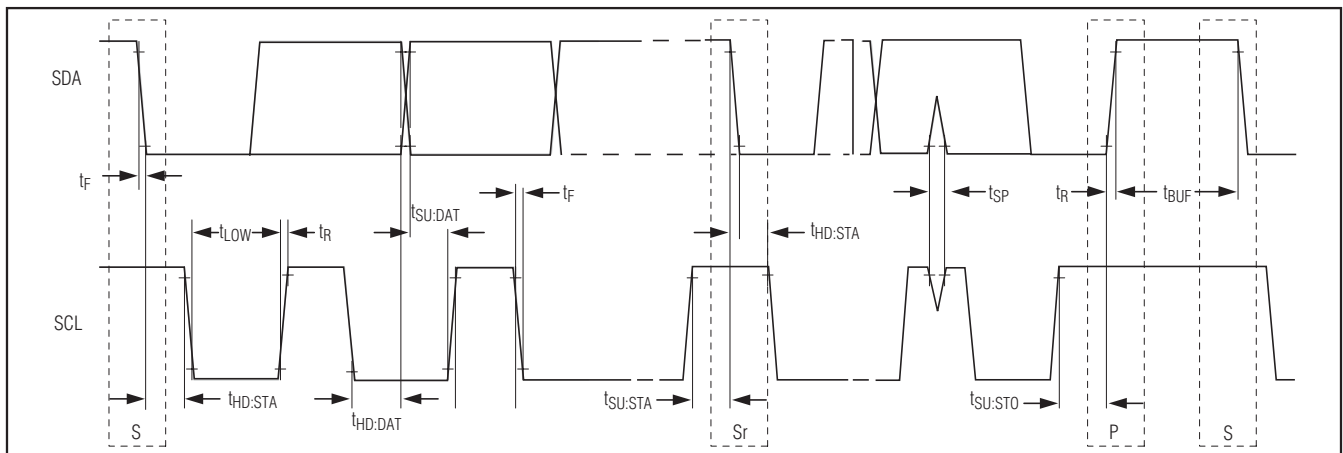


Figure 1. 2-Wire Bus Timing Diagram

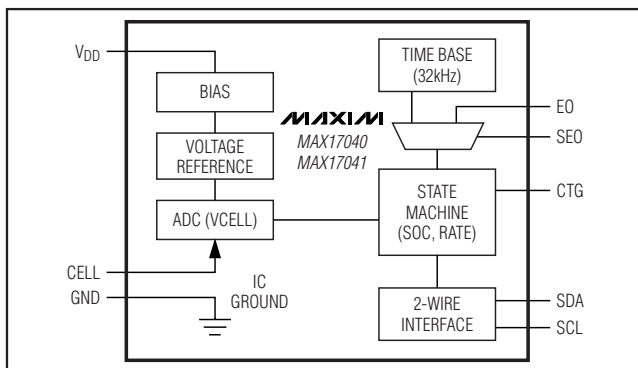


Figure 2. Block Diagram

## Detailed Description

Figure 1 shows the 2-wire bus timing diagram, and Figure 2 is the MAX17040/MAX17041 block diagram.

## ModelGauge Theory of Operation

The MAX17040/MAX17041 use a sophisticated battery model, which determines the SOC of a nonlinear Li+ battery. The model effectively simulates the internal dynamics of a Li+ battery and determines the SOC. The model considers the time effects of a battery caused by the chemical reactions and impedance in the battery. The MAX17040/MAX17041 SOC calculation does not accumulate error with time. This is advantageous

## Compact, Low-Cost 1S/2S Fuel Gauges

compared to traditional coulomb counters, which suffer from SOC drift caused by current-sense offset and cell self-discharge. This model provides good performance for many Li+ chemistry variants across temperature and age. The MAX17040/MAX17041 have a preloaded ROM table, which provides very good performance for most chemistries.

### Fuel-Gauge Performance

The classical coulomb-counter-based fuel gauges suffer from accuracy drift due to the accumulation of the offset error in the current-sense measurement. Although the error is often very small, the error increases over time in such systems, cannot be eliminated, and requires periodic corrections. The corrections are usually performed on a predefined SOC level near full or empty. Some other systems use the relaxed battery voltage to perform corrections. These systems determine the true SOC based on the battery voltage after a long time of no activity. Both have the same limitation: if the correction condition is not observed over time in the actual application, the error in the system is boundless. In some systems, a full charge/discharge cycle is required to eliminate the drift error. To determine the true accuracy of a fuel gauge, as experienced by end users, the battery should be exercised in a dynamic manner. The end-user accuracy cannot be understood with only simple cycles. The MAX17040/MAX17041 do not suffer from the drift problem since they do not rely on the current information.

### IC Power-Up

When the battery is first inserted into the system, there is no previous knowledge about the battery's SOC. The IC assumes that the battery has been in a relaxed state for the previous 30min. The first A/D voltage measurement is translated into a best "first guess" for the SOC. Initial error caused by the battery not being in a relaxed state fades over time, regardless of cell loading following this initial conversion. Because the SOC determination is convergent rather than divergent (as in a coulomb counter), this initial error does not have a long-lasting impact.

### Quick-Start

A quick-start allows the MAX17040/MAX17041 to restart fuel-gauge calculations in the same manner as initial power-up of the IC. For example, if an application's power-up sequence is exceedingly noisy such that excess error is introduced into the IC's "first guess" of SOC, the host can issue a quick-start to reduce the error. A quick-start is initiated by a rising edge on the EO pin when SEO is logic-low, or through software by writing 4000h to the MODE register.

### External Oscillator Control

When the SEO pin is logic-high, the MAX17040/MAX17041 disable the 32kHz internal oscillator and rely on external clocking from the EO pin. A precision external clock source reduces current consumption during normal operation.

When the SEO pin is logic-low, the EO pin becomes an interrupt input. Any rising edge detected on EO causes the MAX17040/MAX17041 to initiate a quick-start.

### Sleep Mode

Holding both SDA and SCL logic-low forces the MAX17040/MAX17041 into Sleep mode. While in Sleep mode, all IC operations are halted and power drain of the IC is greatly reduced. After exiting Sleep mode, fuel-gauge operation continues from the point it was halted. SDA and SCL must be held low for at least 2.5s to guarantee transition into Sleep mode. Afterwards, a rising edge on either SDA or SCL immediately transitions the IC out of Sleep mode.

### Power-On Reset (POR)

Writing a value of 5400h to the COMMAND register causes the MAX17040/MAX17041 to completely reset as if power had been removed. The reset occurs when the last bit has been clocked in. The IC does not respond with an I<sup>2</sup>C ACK after this command sequence.

### Registers

All host interaction with the MAX17040/MAX17041 is handled by writing to and reading from register locations. The MAX17040/MAX17041 have six 16-bit registers: **SOC**, **VCELL**, **MODE**, **VERSION**, **RCOMP**, and **COMMAND**. Register reads and writes are only valid if all 16 bits are transferred. Any write command that is terminated early is ignored. The function of each register is described as follows. All remaining address locations not listed in Table 1 are reserved. Data read from reserved locations is undefined.

# Compact, Low-Cost 1S/2S Fuel Gauges

MAX17040/MAX17041

**Table 1. Register Summary**

ADDRESS (HEX)	REGISTER	DESCRIPTION	READ/ WRITE	DEFAULT (HEX)
02h–03h	VCELL	Reports 12-bit A/D measurement of battery voltage.	R	—
04h–05h	SOC	Reports 16-bit SOC result calculated by ModelGauge algorithm.	R	—
06h–07h	MODE	Sends special commands to the IC.	W	—
08h–09h	VERSION	Returns IC version.	R	—
0Ch–0Dh	RCOMP	Battery compensation. Adjusts IC performance based on application conditions.	R/W	9700h
FEh–FFh	COMMAND	Sends special commands to the IC.	W	—

## VCELL Register

Battery voltage is measured at the CELL pin input with respect to GND over a 0 to 5.00V range for the MAX17040 and 0 to 10.00V for the MAX17041 with resolutions of 1.25mV and 2.50mV, respectively. The A/D calculates the average cell voltage for a period of 125ms after IC POR and then for a period of 500ms for every cycle afterwards. The result is placed in the VCELL register at the end of each conversion period. Figure 3 shows the VCELL register format.

## SOC Register

The SOC register is a read-only register that displays the state of charge of the cell as calculated by the ModelGauge algorithm. The result is displayed as a percentage of the cell's full capacity. This register

automatically adapts to variation in battery size since the MAX17040/MAX17041 naturally recognize relative SOC. Units of % can be directly determined by observing only the high byte of the SOC register. The low byte provides additional resolution in units 1/256%. The reported SOC also includes residual capacity, which might not be available to the actual application because of early termination voltage requirements. When SOC() = 0, typical applications have no remaining capacity.

The first update occurs 125ms after POR of the IC. Subsequent updates occur at variable intervals depending on application conditions. ModelGauge calculations outside the register are clamped at minimum and maximum register limits. Figure 4 shows the SOC register format.

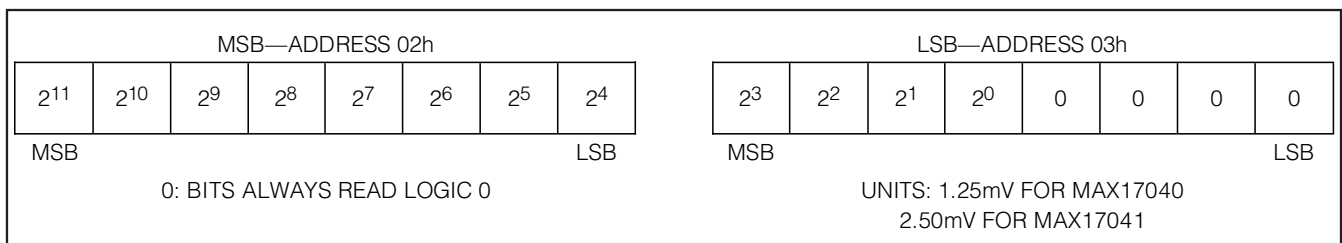


Figure 3. VCELL Register Format

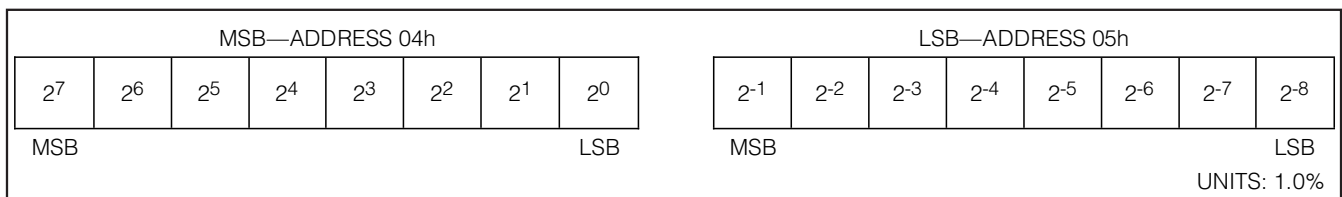


Figure 4. SOC Register Format

## Compact, Low-Cost 1S/2S Fuel Gauges

### MODE Register

The MODE register allows the host processor to send special commands to the IC (Figure 4). Valid MODE register write values are listed as follows. All other MODE register values are reserved. Table 2 shows the MODE register command.

**Table 2. MODE Register Command**

VALUE	COMMAND	DESCRIPTION
4000h	Quick-Start	See the <i>Quick-Start</i> description section.

### VERSION Register

The VERSION register is a read-only register that contains a value indicating the production version of the MAX17040/MAX17041.

### RCOMP Register

RCOMP is a 16-bit value used to compensate the ModelGauge algorithm. RCOMP can be adjusted to optimize performance for different lithium chemistries or different operating temperatures. Contact Maxim for instructions for optimization. The factory-default value for RCOMP is 9700h.

### COMMAND Register

The COMMAND register allows the host processor to send special commands to the IC. Valid COMMAND register write values are listed as follows. All other COMMAND register values are reserved. Table 3 shows the COMMAND register command.

**Table 3. COMMAND Register Command**

VALUE	COMMAND	DESCRIPTION
5400h	POR	See the <i>Power-On Reset (POR)</i> description section.

### Application Examples

The MAX17040/MAX17041 have a variety of configurations, depending on the application. Table 4 shows the most common system configurations and the proper pin connections for each.

Figure 5 shows an example application for a 1S cell pack. The MAX17040 is mounted on the system side and powered directly from the cell pack. The external RC networks on V<sub>DD</sub> and CELL provide noise filtering of the IC power supply and A/D measurement. In this example, the SEO pin is connected to V<sub>DD</sub> to allow an external clock and reduce power usage by the MAX17040. The system's 32kHz clock is connected to the EO input pin.

Figure 6 shows a MAX17041 example application using a 2S cell pack. The MAX17041 is mounted on the system side and powered from a 3.3V supply generated by the system. The CELL pin is still connected directly to PACK+ through an external noise filter. The SEO pin is connected low to allow the system hardware to reset the fuel gauge. After power is supplied, the system watchdog generates a low-to-high transition on the EO pin to signal the MAX17041 to perform a quick-start.

**Table 4. Possible Application Configurations**

SYSTEM CONFIGURATION	IC	V <sub>DD</sub>	SEO	EO
1S Pack-Side Location	MAX17040	Power directly from battery	Connect to GND	Connect to GND
1S Host-Side Location	MAX17040	Power directly from battery	Connect to GND	Connect to GND
1S Host-Side Location, External Clocking	MAX17040	Power directly from battery	Connect to V <sub>DD</sub>	Connect to precision 32kHz clock source
1S Host-Side Location, Hardware Quick-Start	MAX17040	Power directly from battery	Connect to GND	Connect to rising-edge reset signal
2S Pack-Side Location	MAX17041	Power from 2.5V to 4.5V LDO in pack	Connect to GND	Connect to GND
2S Host-Side Location	MAX17041	Power from 2.5V to 4.5V LDO or PMIC	Connect to GND	Connect to GND
2S Host-Side Location, External Clocking	MAX17041	Power from 2.5V to 4.5V LDO or PMIC	Connect to V <sub>DD</sub>	Connect to precision 32kHz clock source
2S Host-Side Location, Hardware Quick-Start	MAX17041	Power from 2.5V to 4.5V LDO or PMIC	Connect to GND	Connect to rising-edge reset signal



# Compact, Low-Cost 1S/2S Fuel Gauges

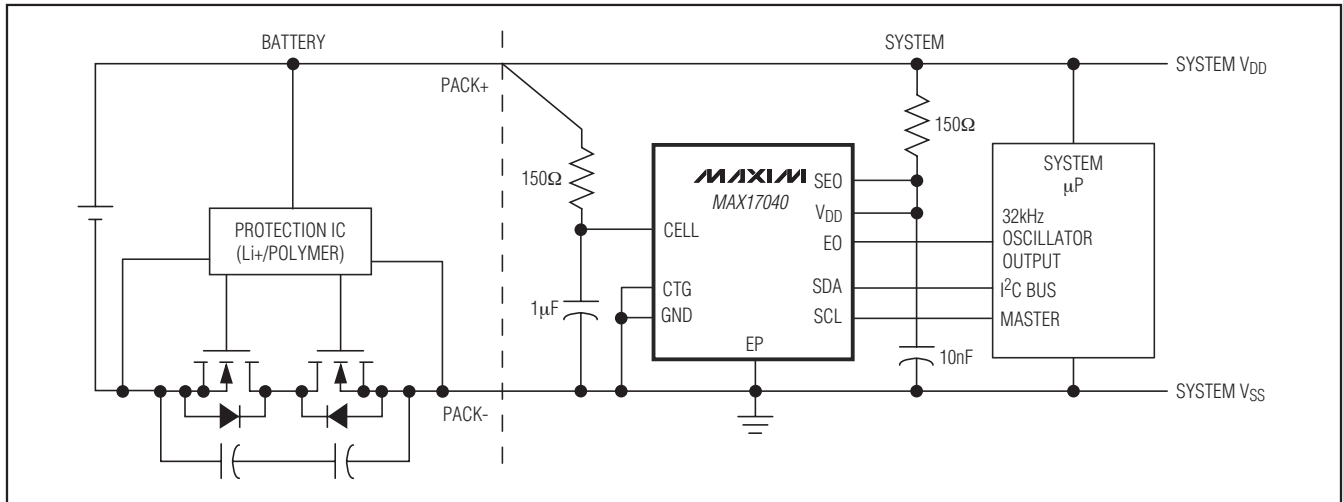


Figure 5. MAX17040 Application Example with External Clock

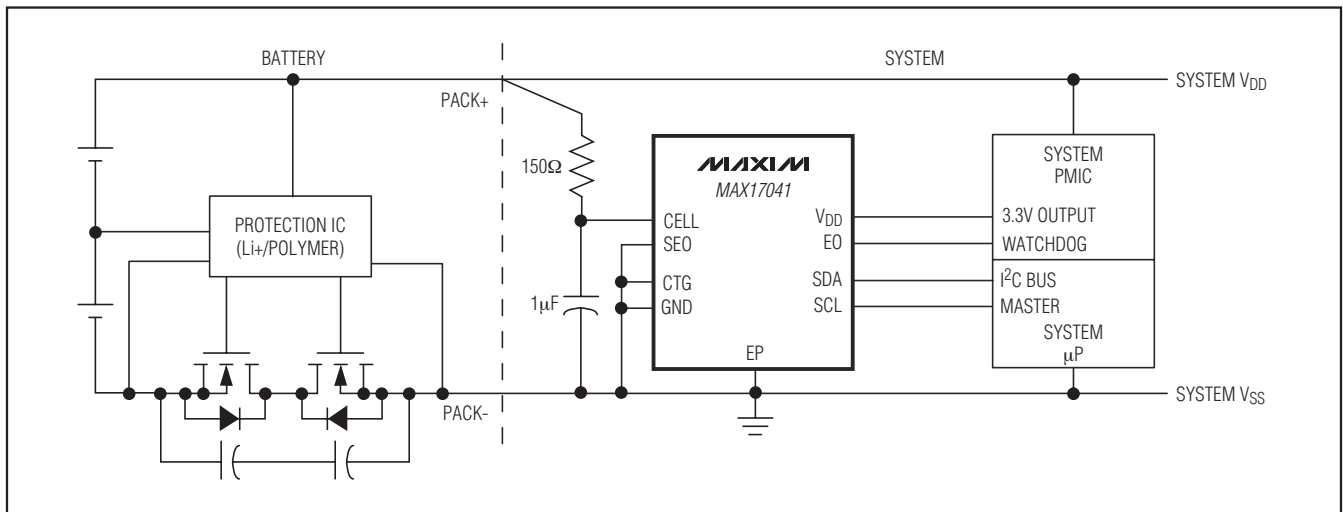


Figure 6. MAX17041 Application Example with Hardware Reset

## 2-Wire Bus System

The 2-wire bus system supports operation as a slave-only device in a single or multislave, and single or multi-master system. Slave devices can share the bus by uniquely setting the 7-bit slave address. The 2-wire interface consists of a serial data line (SDA) and serial clock line (SCL). SDA and SCL provide bidirectional communication between the MAX17040/MAX17041 slave device and a master device at speeds up to 400kHz. The MAX17040/MAX17041s' SDA pin operates

bidirectionally; that is, when the MAX17040/MAX17041 receive data, SDA operates as an input, and when the MAX17040/MAX17041 return data, SDA operates as an open-drain output, with the host system providing a resistive pullup. The MAX17040/MAX17041 always operate as a slave device, receiving and transmitting data under the control of a master device. The master initiates all transactions on the bus and generates the SCL signal, as well as the START and STOP bits, which begin and end each transaction.

# Compact, Low-Cost 1S/2S Fuel Gauges

## Bit Transfer

One data bit is transferred during each SCL clock cycle, with the cycle defined by SCL transitioning low to high and then high to low. The SDA logic level must remain stable during the high period of the SCL clock pulse. Any change in SDA when SCL is high is interpreted as a START or STOP control signal.

## Bus Idle

The bus is defined to be idle, or not busy, when no master device has control. Both SDA and SCL remain high when the bus is idle. The STOP condition is the proper method to return the bus to the idle state.

## START and STOP Conditions

The master initiates transactions with a START condition (S) by forcing a high-to-low transition on SDA while SCL is high. The master terminates a transaction with a STOP condition (P), a low-to-high transition on SDA while SCL is high. A Repeated START condition (Sr) can be used in place of a STOP then START sequence to terminate one transaction and begin another without returning the bus to the idle state. In multimaster systems, a Repeated START allows the master to retain control of the bus. The START and STOP conditions are the only bus activities in which the SDA transitions when SCL is high.

## Acknowledge Bits

Each byte of a data transfer is acknowledged with an Acknowledge bit (A) or a No-Acknowledge bit (N). Both the master and the MAX17040 slave generate acknowledge bits. To generate an acknowledge, the receiving device must pull SDA low before the rising edge of the acknowledge-related clock pulse (ninth pulse) and keep it low until SCL returns low. To generate a no acknowledge (also called NAK), the receiver releases SDA before the rising edge of the acknowledge-related clock pulse and leaves SDA high until SCL returns low. Monitoring the Acknowledge bits allows for detection of unsuccessful data transfers. An unsuccessful data transfer can occur if a receiving device is busy or if a system fault has occurred. In the event of an unsuccessful data transfer, the bus master should reattempt communication.

## Data Order

A byte of data consists of 8 bits ordered most significant bit (MSb) first. The least significant bit (LSb) of each byte is followed by the Acknowledge bit. The MAX17040/MAX17041 registers composed of multibyte values are ordered MSB first. The MSB of multibyte registers is stored on even data-memory addresses.

## Slave Address

A bus master initiates communication with a slave device by issuing a START condition followed by a Slave Address (SAddr) and the Read/Write (R/W) bit. When the bus is idle, the MAX17040/MAX17041 continuously monitor for a START condition followed by its Slave Address. When the MAX17040/MAX17041 receive a Slave Address that matches the value in the Slave Address Register, it responds with an Acknowledge bit during the clock period following the R/W bit. The 7-bit slave address is fixed to 6Ch (write)/6DH (read):

MAX17040/MAX17041 SLAVE ADDRESS	0110110
------------------------------------	---------

## Read/Write Bit

The R/W bit following the slave address determines the data direction of subsequent bytes in the transfer. R/W = 0 selects a write transaction, with the following bytes being written by the master to the slave. R/W = 1 selects a read transaction, with the following bytes being read from the slave by the master.

## Bus Timing

The MAX17040/MAX17041 are compatible with any bus timing up to 400kHz. No special configuration is required to operate at any speed.

## 2-Wire Command Protocols

The command protocols involve several transaction formats. The simplest format consists of the master writing the START bit, slave address, R/W bit, and then monitoring the Acknowledge bit for presence of the MAX17040/MAX17041. More complex formats, such as the Write Data and Read Data, read data and execute device-specific operations. All bytes in each command format require the slave or host to return an Acknowledge bit before continuing with the next byte. Table 5 shows the key that applies to the transaction formats.



# **Compact, Low-Cost 1S/2S Fuel Gauges**

## **Package Information**

For the latest package outline information and land patterns, go to [www.maxim-ic.com/packages](http://www.maxim-ic.com/packages).

<b>PACKAGE TYPE</b>	<b>PACKAGE CODE</b>	<b>DOCUMENT NO.</b>
8 TDFN	T823+1	<a href="#">21-0174</a>

# Compact, Low-Cost 1S/2S Fuel Gauges

## Revision History

REVISION NUMBER	REVISION DATE	DESCRIPTION	PAGES CHANGED
0	7/08	Initial release	—
1	10/08	<ul style="list-style-type: none"> <li>Corrected the order of the pins in the <i>Pin Configuration</i></li> <li>Changed the max operating voltage from 5.5V to 4.5V</li> <li>Inserted the “CELL Pin Input Impedance” specification into the <i>DC Electrical Characteristics</i> table</li> <li>Corrected the order of the pins in the <i>Pin Description</i> table and changed the max operating voltage for the V<sub>DD</sub> pin</li> </ul>	1, 2, 3, 5, 8
2	3/09	<ul style="list-style-type: none"> <li>Added the following sentence to the <i>Registers</i> section: “Register reads and writes are only valid if all 16 bits are transferred”</li> <li>Added the following sentence to the <i>Write Data Protocol</i> section: “A valid write must include both register bytes”</li> <li>Added the following sentence to the <i>Read Data Protocol</i> section: “Both register bytes must be read in the same transaction for the register data to be valid”</li> </ul>	6, 11
3	4/10	Exposed pad connection to ground in Figures 5 and 6; corrected errors in specifications	1, 2, 7, 9, 13

**MAX17040/MAX17041**

Maxim cannot assume responsibility for use of any circuitry other than circuitry entirely embodied in a Maxim product. No circuit patent licenses are implied. Maxim reserves the right to change the circuitry and specifications without notice at any time.

**Maxim Integrated Products, 120 San Gabriel Drive, Sunnyvale, CA 94086 408-737-7600** \_\_\_\_\_ 13