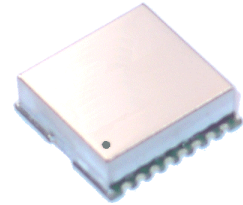


Features

- +0dBm Output Level at 915 MHz
- Channel Step Size : 200 kHz
- 2nd Harmonic : < - 35dBc
- Spurious Level : < - 70dBc
- Lock Time : < 1ms
- 30mA Current Consumption
- Strip-line Resonator

Description

The plerow™ PLL synthesizer module was designed for use in wireless and wireline systems in a wide range of frequency from 50 MHz to 6 GHz. ASB's PLL provides exceptionally low spurious and phase noise performance with fast locking time and low current consumption. All products are available in a surface-mount type package.



Specifications

Parameter	Unit	Min.	Typical	Max.
Frequency Range	MHz	900	915	930
Output Power	dBm	-2	0	2
Supply Voltage	V	4.7	5	5.3
Current Consumption	mA		30	
Channel Step Size	kHz		200	
2 nd Harmonics	dBc		-45	-35
Spurious Level	dBc			-70
Lock Time	ms			1
Reference Frequency	MHz		10	
Reference Input Level	dBm	-5	2	7
Phase Noise (C / N)				
@ 1 kHz				
@ 10 kHz	dBc/Hz		-107	-104
@ 100 kHz			-120	-118
Output Impedance	Ω		50	
Operating Temp. Range	°C	-40	25	85
Package Type & Size	mm	SMT, 19.0W×19.0L×5.8H		

1) Measurement conditions are as follows: T = 25°C, V_{CC} = 5.0 V, Freq. = 915 MHz, 50 ohm system.

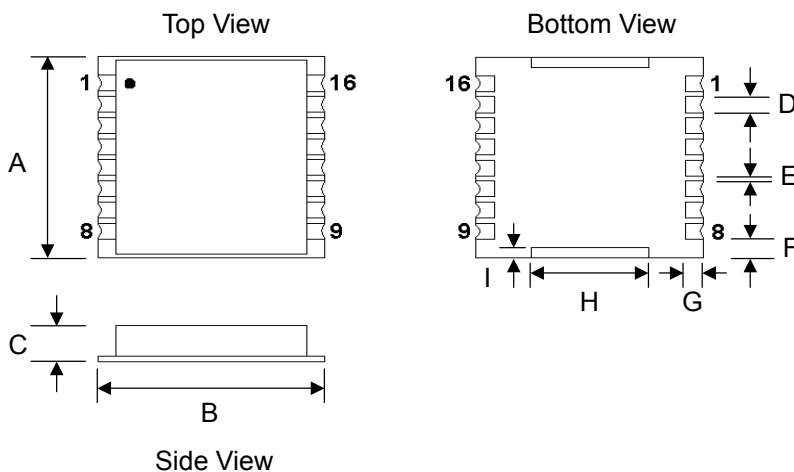
More Information

Website: www.asb.co.kr
E-mail: sales@asb.co.kr

Tel: (82) 42-528-7220
Fax: (82) 42-528-7222

ASB Inc., 4th Fl. Venture Town
Bldg., 367-17 Gojeong-Dong,
Seo-Gu, Daejeon 302-716, Korea

Outline Drawing



Pin	Pin Configuration
1	CLOCK
2	DATA
3	ENABLE
4	OSC IN
9	VCC (VCO)
13	RF OUT
15	VCP (PLL)
16	LOCK DETECT
Others	Ground

Dimension (mm)	
A	19.0
B	19.0
C	5.8
D	1.5
E	0.5
F	1.75
G	1.35
H	15.0
I	0.9

Tolerance: ± 0.2