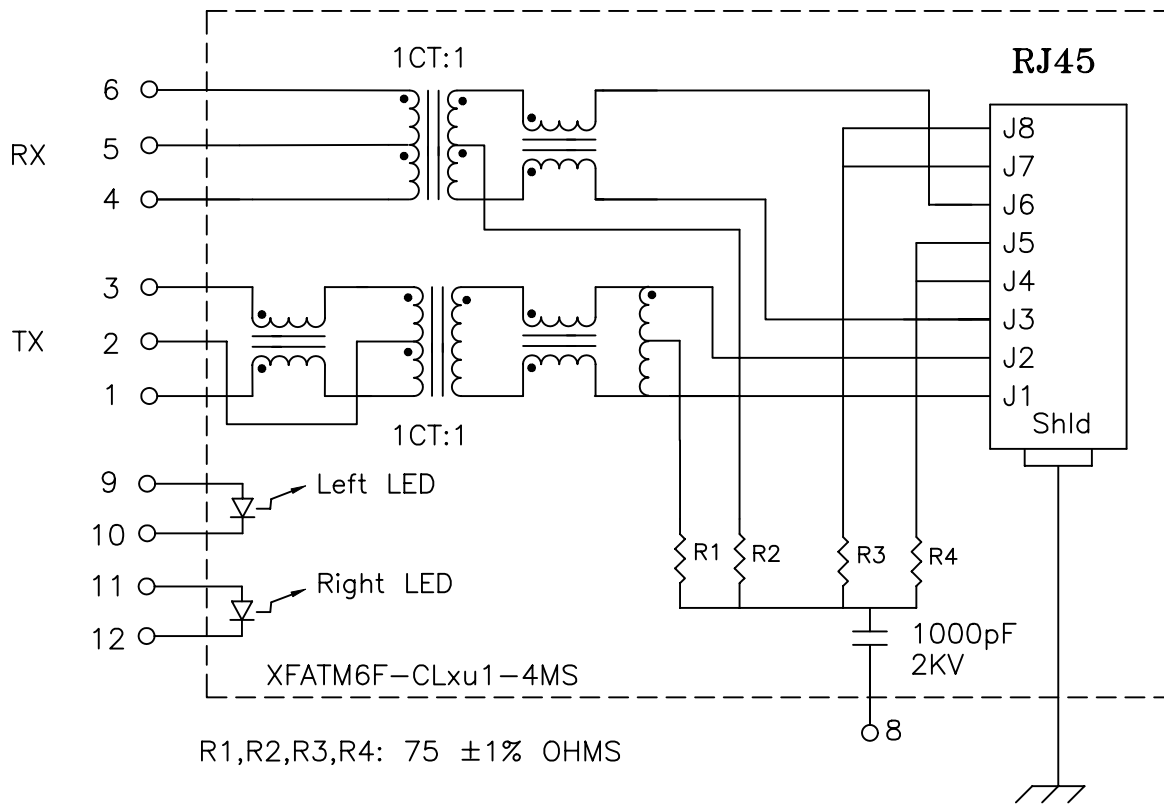


Schematic:



Electrical Specifications: @25°C

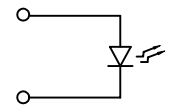
- Isolation Voltage: 1500 Vac
- Isolation Voltage: 500 Vac (6+5+4-3+2+1)
- UTP SIDE OCL: 350uH Min @100KHz 100mV 8mADC
- Rise Time (10-90%): 2.5ns Typical
- Insertion Loss (300KHz-100MHz): -1.1dB Maximum
- Insertion Loss (100MHz-125MHz): -1.5dB Maximum
- Return Loss: -12dB Typical @300KHz - 100MHz
- Crosstalk:
 - 300KHz-60MHz -40dB Typical
 - 60MHz-100MHz -38dB Typical
- Common Mode to Differential Mode Rejection:
 - 300KHz-60MHz -45dB Typ (Tx) / -40dB Typ (Rx)
 - 60MHz-100MHz -40dB Typ (Tx) / -35dB Typ (Rx)

Complete the Combo P/N as follows:

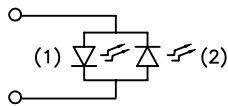
Replace 'x' & 'u' in the part number with one of the LED color letters:

- Y=Yellow
- G=Green
- A=Amber
- R=Red
- N=Yellow(1)/Green(2) Bicolor
- M=Green(1)/Yellow(2) Bicolor
- 'x' = Left LED Color
- 'u' = Right LED Color

Single Color LED:



Bi-Color LED:



DOC. REV: A/6

Note:

1. Solderability: Leads shall meet MIL-STD-202, Method 208D for solderability.
2. Flammability: UL94V-0,
3. ASTM oxygen index: > 28% ,
4. Temperature rating: 155°C. UL file E151556,
5. Operating Temperature Range: -40°C to +85°C

XFMRs Inc.

Title:

SINGLE PORT COMBO

UNLESS OTHERWISE SPECIFIED

P/N: XFATM6F-CLxu1-4MS

REV. A

TOLERANCES:

DWN.

Kang Chen

Apr-26-04

.xxx ±0.010

Dimensions in Inch

CHK.

YK Liao

Apr-26-04

SHEET 1 OF 2

APP.

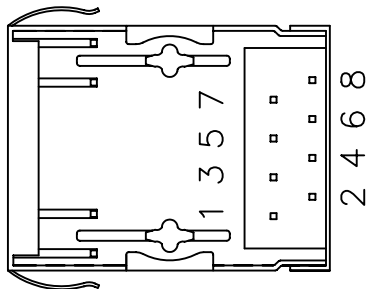
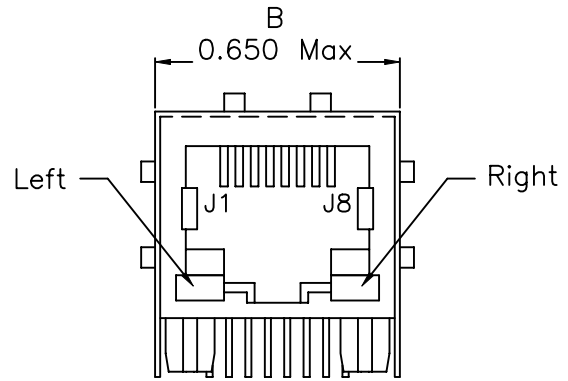
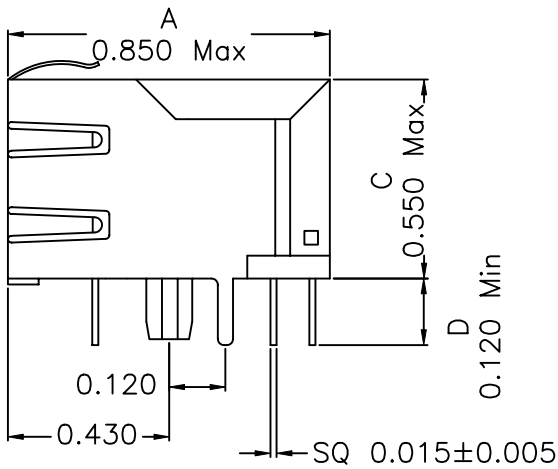
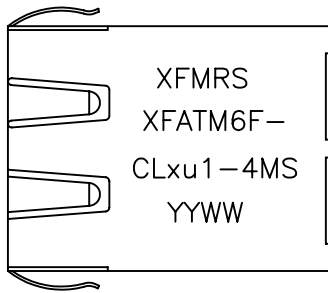
MS

Apr-26-04

PROPRIETARY:

Document is the property of XFMRs Group & is not allowed to be duplicated without authorization.

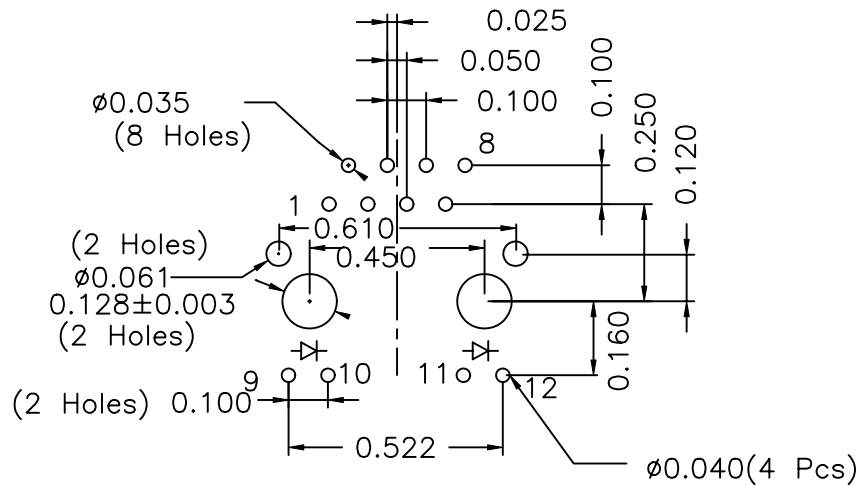
Mechanical Dimensions:



(BOTTOM VIEW)

Mounting Pattern:

(COMP SIDE)



PCB Layout Tolerance: ± 0.002 unless otherwise stated.

XFMRS Inc.	Title: Mechanical Dimensions For CLxu1-4MS Series		
	UNLESS OTHERWISE SPECIFIED TOLERANCES: .xxx ± 0.010 Dimensions in Inch	P/N: XFATM6F-CLxu1-4MS	REV. A
SHEET 2 OF 2	DWN.	Kang Chen	Apr-26-04
	CHK.	YK Liao	Apr-26-04
	APP.	MS	Apr-26-04

DOC. REV: A/6

PROPRIETARY:

Document is the property of XFMRS Group & is not allowed to be duplicated without authorization.