



RFMA0912-0.5W

UPDATED 2/07/2005

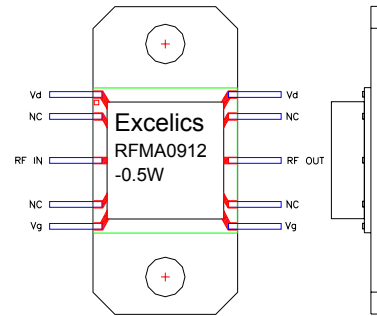
9.50 – 11.70 GHz Power Amplifier MMIC

FEATURES

- 9.50 – 11.70GHz Operating Frequency Range
- 27.0dBm Output Power at 1dB Compression
- 31.0 dB Typical Power Gain @ 1dB Gain Compression
- -41dBc Typical OIM3 @ each tone Pout 16.0dBm

APPLICATIONS

- Point-to-point and point-to-multipoint radio
- Military Radar Systems



Different Packages Are Available



Caution! ESD sensitive device.

ELECTRICAL CHARACTERISTICS ($T_a = 25^\circ\text{C}$, 50 ohm, $V_{dd}=7\text{V}$, $V_{gg}=-5\text{V}$)

SYMBOL	PARAMETER/TEST CONDITIONS	MIN	TYP	MAX	UNITS
F	Operating Frequency Range	9.5		11.7	GHz
P1dB	Output Power at 1dB Gain Compression	26	27		dBm
G1dB	Gain @1dB gain compression	28	31		dB
OIMD3	Output 3 rd Order Intermodulation Distortion @ $\Delta f=10\text{MHz}$, Each Tone Pout 16dBm		-41	-38	dBc
Input RL	Input Return Loss		-15	-8	dB
Output RL	Output Return Loss		-8		dB
I _{dd}	Drain Current		530	610	mA
V _{dd}	Drain Supply Voltage		7	8	V
R _{th}	Thermal Resistance (Au-Sn Eutectic Attach)		13		$^\circ\text{C/W}$
T _b	Operating Base Plate Temperature	- 30		+ 80	$^\circ\text{C}$

MAXIMUM RATINGS AT 25°C

SYMBOL	CHARACTERISTIC	ABSOLUTE	CONTINUOUS ^{1,2}
V _{DD}	Drain Supply Voltage	12V	8V
V _{GG}	Gate Supply Voltage	-8V	-3V
I _{DD}	Drain Current	I _{dss}	1.1A
I _{GG}	Gate Current	60mA	10 mA
P _{IN}	Input Power	20dBm	@ 3dB compression
T _{CH}	Channel Temperature	175°C	150°C
T _{STG}	Storage Temperature	-65/175°C	-65/150°C
P _T	Total Power Dissipation	8.8W	7.4W

1. Operating the device beyond any of the above rating may result in permanent damage.

2. Bias conditions must also satisfy the following equation $V_{dd} \cdot I_{dd} < (T_{ch} - T_{HS}) / R_{TH}$, where T_{HS} = ambient temperature

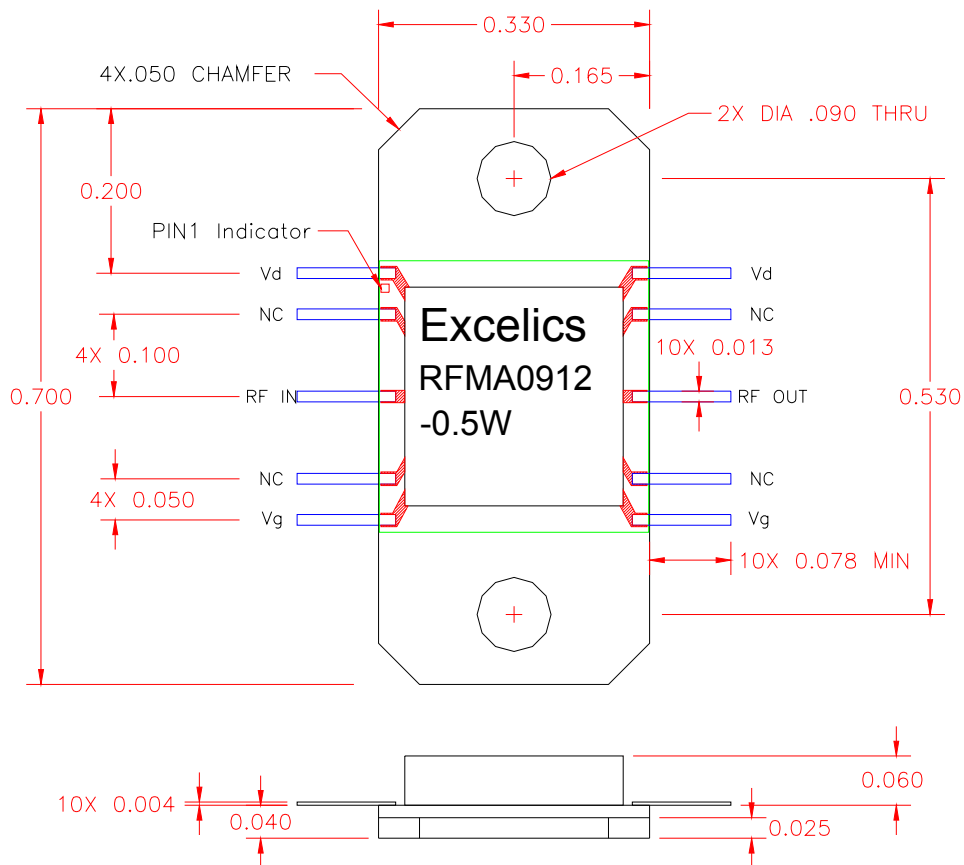
Specifications are subject to change without notice.

Excelics Semiconductor, Inc. 310 De Guigne Drive, Sunnyvale, CA 94085
 Phone: 408-737-1711 Fax: 408-737-1868 Web: www.excelics.com

page 1 of 2
 Revised February 2005

UPDATED 2/07/2005

01 Package Outline



All dimensions in inches [mm]

ORDERING INFORMATION

Part Number	
RFMA0912-0.5W-01	Refer 01 Package Outline

Specifications are subject to change without notice.

Excelics Semiconductor, Inc. 310 De Guigne Drive, Sunnyvale, CA 94085
Phone: 408-737-1711 Fax: 408-737-1868 Web: www.excelics.com

page 2 of 2
Revised February 2005