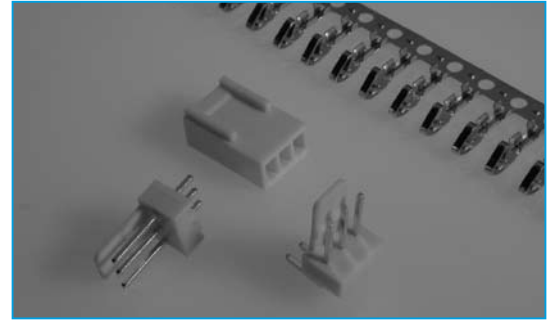


BOARD TO WIRE CONNECTORS

2.54 mm PITCH

- 2 - 20 ways
- Accepts wire of 30 - 22 AWG
- Housing, Wafer and Terminal Available
- Current rating 3A AC, DC
- Voltage rating 250VAC, DC



SECTION 8

SPECIFICATION

General

Withstand Voltage: 1000v AC/min
Insulation Resistance: 1000mΩ min
Temperature Range: -25°C to +85°C

Wafer

Material:
Post: Brass, Tin/Plated
Base: Nylon 66, UL94V-2

Housing

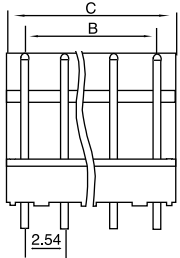
Material: Nylon 66, UL94V-0

Terminal

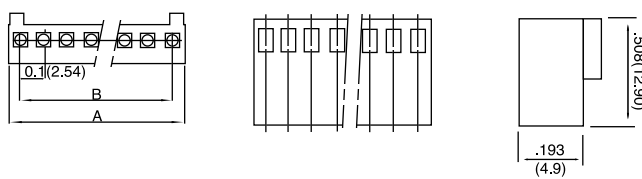
Wire Acceptance: 22-30 AWG
Material: Brass
Finish: Tin/plated 40µ" min
Thickness: 0.2mm

OUTLINE DRAWING

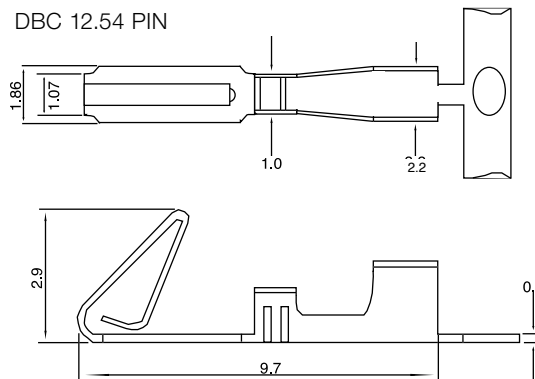
DBC 12.54xS



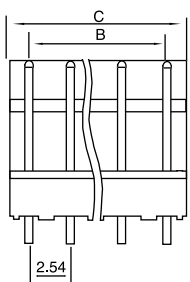
DBC 12.54xH



DBC 12.54 PIN



DBC 12.54xT



Dim	mm
A	(No Ways x 2.54) + 0.52
B	(No ways x 2.54) - 2.54
C	No ways x 2.54

ORDERING INFORMATION

DBC	1	2.54	2	T
Dubilier Connectors	Series	Pitch	N° of Ways	Style
		2.54 = 2.54mm pitch	2 = 2ways 10 = 10ways etc	T = Top Entry S = Side Entry 90° H = Housing

DBC	1	2.54	PIN
Dubilier Connectors	Series	Pitch	Pin
		2.54 = 2.54mm pitch	