

PS12/24ADA Signaling Strobe and Sounder



A Division of Pittway
3825 Ohio Avenue, St. Charles, IL 60174
1-800-SENSOR2 (736-7672), Fax 630-377-6495
<http://www.systemsensor.com>



Models Available

PS2415ADA
PS241575ADA
PS2475ADA
PS24110ADA
PS1215ADA
PS121575ADA

Features

- Low combined strobe/horn current draw from 90 mA
- New “Euro-Style” appearance
- Easily fits into single gang backbox
- Fits double gang backbox with optional semi-flush plate
- Multiple Light intensities
 - 24 VDC: 15, 15/75, 75 or 110 cd models
 - 12 VDC: 15 or 15/75 cd models
- Available in Red or White
- No measurable in-rush in excess of peak current
- Wall mount only

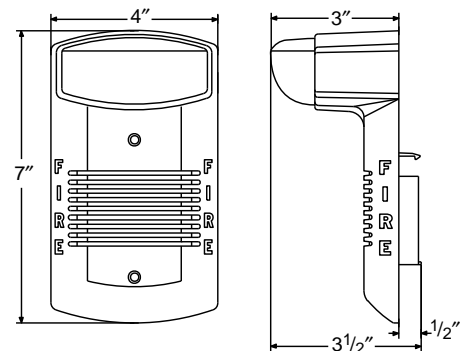
System Sensor PS12/24ADA Series integrated sounder/strobes comply with the **Americans with Disabilities Act (ADA)** and the demanding requirements of the new **Standard UL 1971 for the Hearing Impaired**. The 15/75 version is UL 1971 listed at 15 cd.

To insure compliance with ADA and UL 1971, use the System Sensor 75 candela models for non-sleeping areas, and 110 candela models for sleeping areas. Available in red or white at 12 or 24 VDC, the PS12/24ADA series of signaling strobes can be mounted directly to a standard 2” backbox or 4” backbox with the optional semi-flush plate.

Specifications

| | |
|--------------------|---|
| Input terminals: | 18 – 12 AWG |
| Shipping Weight: | |
| PS12/24ADA | |
| Series Strobes: | 13 oz. (369g) |
| Operating | |
| Temperature Range: | 32° F to 120° F (0° C to 49° C) |
| Mounting: | |
| Surface: | 2” × 4” × 1¼” standard single gang box |
| Semi-flush: | 2” × 4” × 1½” standard single gang box |

Dimensions:



General Description

All PS12/24ADA Series integrated sounder/strobes are suitable for primary signaling in public mode life safety applications. The sounder/strobes can be connected to the alarm indicating circuit of a UL listed fire alarm control panel. They are compatible with DC line supervision. Panels may have full-wave rectified, unfiltered power supplies. The sounder/strobes are available for either 24VDC operation, with 15, 15/75, 75, or 110 cd light

intensity, or for 12VDC operation with 15 or 15/75 cd light intensity. They feature low current draw with no measurable in-rush in excess of peak current. The sounder/strobe is intended for wall mounting only to a 2" electrical backbox. Mounting to a 4" square electrical backbox can be done with the addition of the PS-FP accessory mounting plate.

Electrical Ratings – Strobe/Mini Horn

| Model | | Supply | Peak Operating Current | In-rush Current in Excess of Peak Operating Current (mA) | Average Operating Current from Regulated Supply (mA) | Average Operating Current from Full Wave Rectified, Unfiltered Supply (mA)* |
|-------------|--------------|---------------|------------------------|--|--|---|
| Red | White | Voltage Range | (mA) | | | |
| PS2415ADA | PS2415ADAW | 20-30VDC | 180 | 0 | 90 | 105 |
| PS241575ADA | PS241575ADAW | 20-30VDC | 220 | 0 | 108 | 135 |
| PS2475ADA | PS2475ADAW | 20-30VDC | 400 | 0 | 185 | 215 |
| PS24110ADA | PS24110ADAW | 20-30VDC | 500 | 0 | 225 | 260 |
| PS1215ADA | PS1215ADAW | 10.5-17VDC | 380 | 0 | 185 | 212 |
| PS121575ADA | PS121575ADAW | 10.5-17VDC | 560 | 0 | 240 | 285 |

* For additional information, see installation manual D900-08-00.

Actual 12 volt operating voltage cannot be less than 8.5 VDC or greater than 18.7 VDC; actual 24 volt operating voltage cannot be less than 16 VDC or greater than 33 VDC.

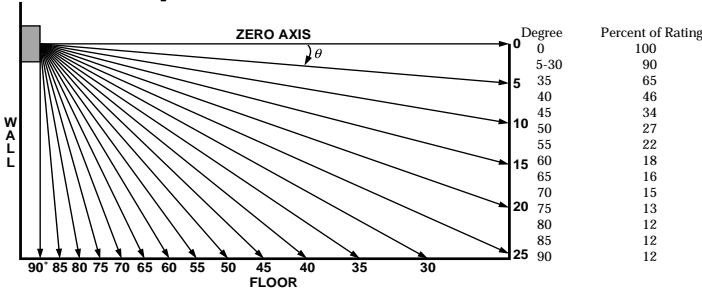
Engineering Specifications

Sounder/Strobe shall be a System Sensor Model _____ listed to *Standard UL 1971 for the Hearing Impaired* and shall be approved for Fire Protective Service. Sounder/Strobe shall be wired as a Primary Signaling Notification appliance. Sounder/strobe shall also comply with the Americans with Disabilities Act requirements for visible signaling appliances. Sounder/Strobe shall operate on 12 or 24VDC from a regulated DC supply or full-wave rectified, unfiltered supply. The sounder/strobe shall be powered from a non-coded power supply. Sounder/Strobe

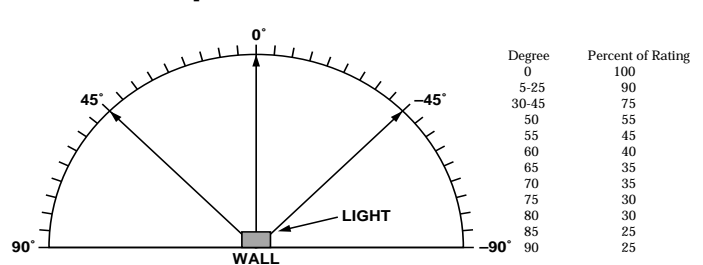
shall have no measurable in-rush current in excess of operating peak current. Visual signaling devices are to be installed in all non-sleeping/corridor and sleeping areas per plans and specifications. The strobe light shall consist of a xenon flash tube and associated lens/reflector system. All sounder/strobes shall be capable of semi-flush wall mounting to a standard 2" x 4" x 1 1/2" backbox, without a separate mounting plate or to a 4" x 4" x 1 1/2" backbox with a separate mounting plate.

Standard Light Distribution

Vertical Dispersion

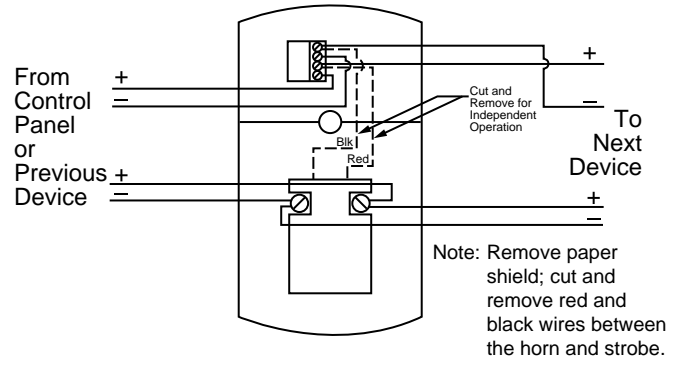
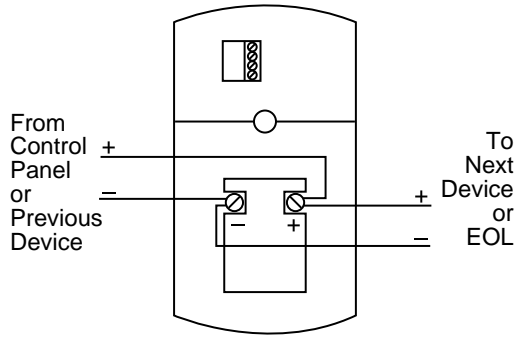


Horizontal Dispersion

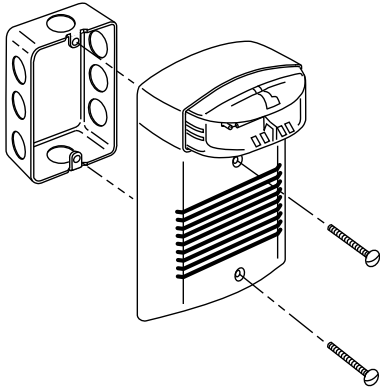


A polar light distribution in both horizontal and vertical directions is mandated for the strobes by the *Standard UL 1971 for the Hearing Impaired*, with specific minimum intensity percentages as shown in the graphs above. With its specially designed lens/reflector system, the PS12/24ADA Strobe Retrofit Plate Series meets or exceeds these requirements at all angles.

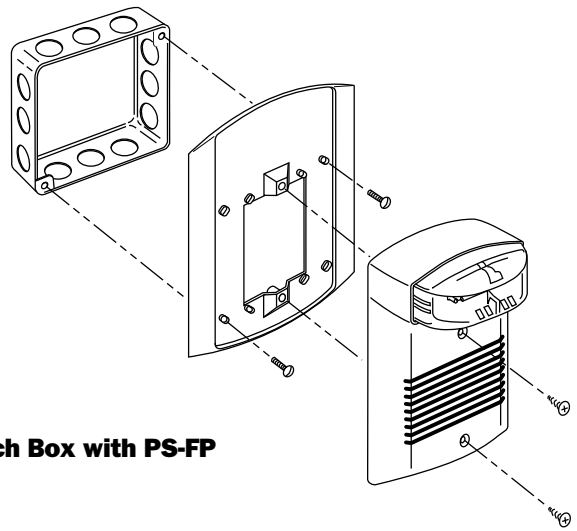
Wiring



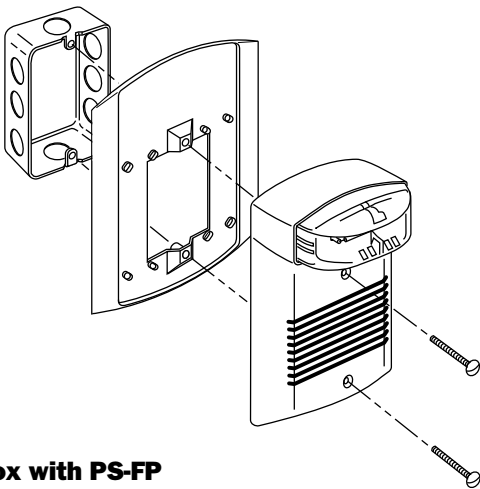
Mounting



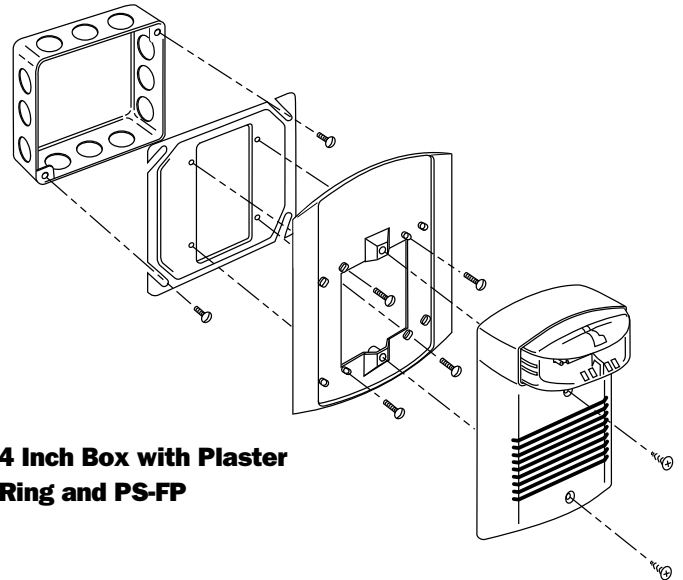
**Sounder/Strobe
2 Inch Box**



4 Inch Box with PS-FP



2 Inch Box with PS-FP



**4 Inch Box with Plaster
Ring and PS-FP**

Ordering Information

Signaling Strobe – UL 1971 Compliant

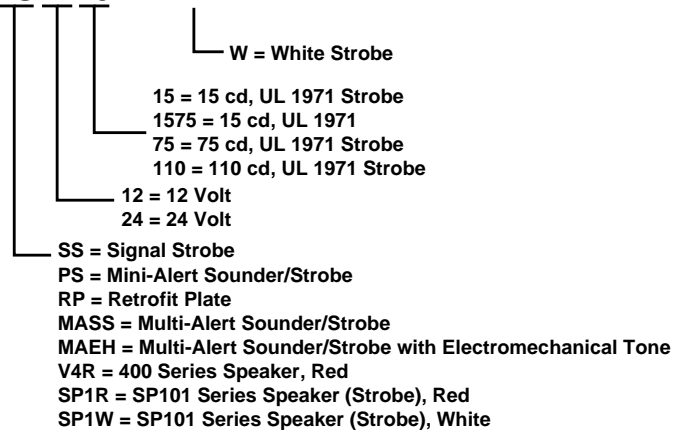
| Red | White | Product | Operating Voltage | Strobe and Sounder Current Combined (Average mA) | Candela | Peak (dBA)* |
|-------------|--------------|---------------------------|-------------------|--|---------|-------------|
| PS2415ADA | PS2415ADAW | Signaling Strobe/Sounder | 24 VDC | 90 | 15 | 90 dBA |
| PS241575ADA | PS241575ADAW | Signaling Strobe/Sounder | 24 VDC | 108 | 15/75** | 90 dBA |
| PS2475ADA | PS2475ADAW | Signaling Strobe/Sounder | 24 VDC | 185 | 75 | 90 dBA |
| PS24110ADA | PS24110ADAW | Signaling Strobe/Sounder | 24 VDC | 225 | 110 | 90 dBA |
| PS1215ADA | PS1215ADAW | Signaling Strobe/Sounder | 12 VDC | 185 | 15 | 83 dBA |
| PS121575ADA | PS121575ADAW | Signaling Strobe/Sounder | 12 VDC | 240 | 15/75** | 83 dBA |
| PS-FP | PS-FPW | Semi-Flush Mounting Plate | | | | |

*dBA measured in anechoic room at 10 feet.

**Measured to be 75 cd at 0° viewing angle (See Light Distribution Graph).

How to Order

PS1215ADAW



System Sensor Worldwide Distribution

In Canada:

System Sensor Canada
6581 Kitimat Road, Unit #7
Mississauga, Ontario
Canada L5N 3T5
Telephone: 905-812-0767
Fax: 905-812-0771

In the United Kingdom:

System Sensor Europe, Ltd.
Horsham Gates III, North St.
Horsham, West Sussex
RH13 5PJ, United Kingdom
Telephone: 44-1403-276500
Fax: 44-1403-276501

In India:

System Sensor India
A-204 Maheshwari Nagar
Orkay Mills Lane
Andheri East, Mumbai 400093
Telefax: 91-022-8202564

In the Far East:

System Sensor
Pittway Far East, Ltd.
Suite 706, World Shipping Centre
7 Canton Road
Tsimshatsui, Kowloon, Hong Kong
Telephone: 852-2730-9090
Fax: 852-2736-6580