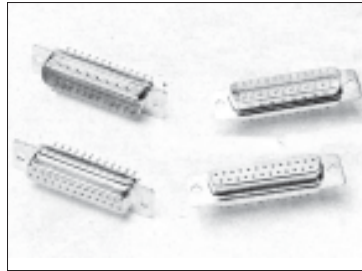


## Specifications

Insulation Resistance: 5,000MΩ min.  
 Withstanding Voltage: 1,000V AC  
 Contact Resistance: 10mΩ max.  
 Current Rating: 5A  
 Operating Temp. Range: -55°C to +105°C  
 Soldering Temp.: 230°C / 3 sec.

## Materials and Finish

Insulator: Polyester Resin (glass filled)  
 Fiber reinforced, UL94V-0  
 Contacts: Stamped Copper Alloy  
 Plating: Gold over Nickel

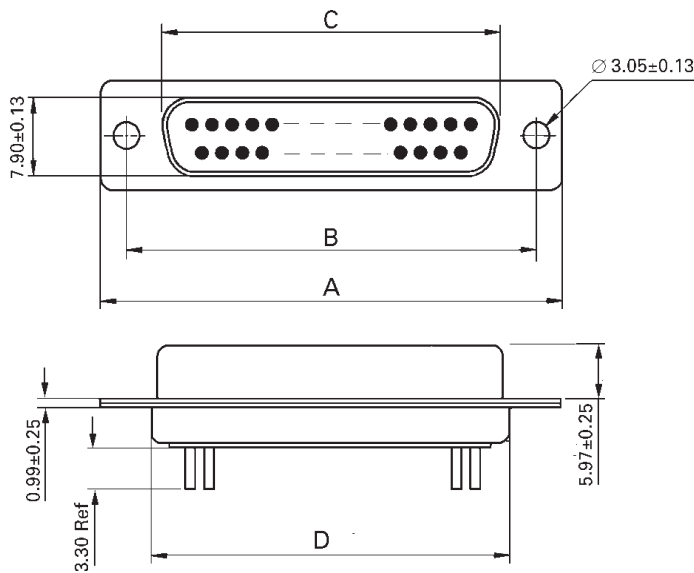


## Part Number (Details)

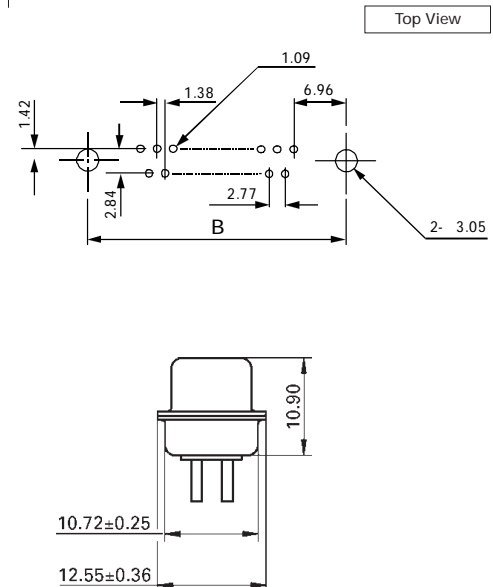
D    D - 15    \*    N    T    -    S    -    \*    \*

Series	D
Terminal: Dip Type	D - 15
No. of Contacts	*
P = Male    S = Female	N
Insulator Colour: N = Black	T
Shell Plating: T = Tin	-
Contact Type: S = Stamped	S
For Special Functions	- * *

## Outline Connector Dimensions (Male and Female)

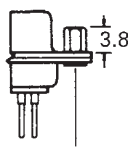
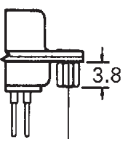
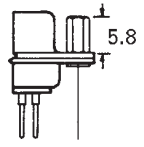
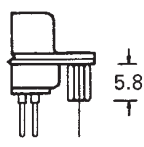
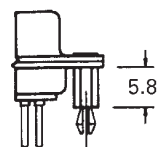


## Recommended PCB Layout



## Special Functions

- 1: "IE" MATE, 5.8mm Snap-in rivet, 4-40 UNC
- 2: "DE" MATE, 5.8mm Open Hex Rear Rivet, 4-40 UNC
- 3: "DB" MATE, 5.8mm Open Hex Front Rivet, 4-40 UNC
- 4: "CE" MATE, 3.8mm Open Hex Rear Rivet, 4-40 UNC
- 5: "CB" MATE, 3.8mm Open Hex Front Rivet, 4-40 UNC



Part Number	No. of Contacts	A	B	C (Male)	C (Female)	D
DD-09*NT-S-**	9	30.81	24.99	16.92	16.33	19.28
DD-15*NT-S-**	15	39.14	33.32	25.25	24.66	27.51
DD-25*NT-S-**	25	53.04	47.04	38.96	38.38	41.28
DD-37*NT-S-**	37	69.32	63.50	55.42	54.84	57.71
DD-50*NT-S-**	50	66.93	61.11	55.00	52.43	55.32