

Series 801 Plug Connectors



Series 801 Plug Connector

Double-Start ACME Threads resist cross-threading and shearing. These aerospace-grade Series 801 plugs feature 1½ turns of the coupling nut to full mating.

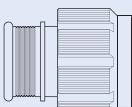
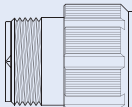
Two Shell Styles: Integral platform for direct shield attachment using **BAND-IT®** termination system, or accessory thread for attaching a strain relief.

Crimp, Rear Release contact system, now with #12 and #16 M39029 coaxial or power contacts.

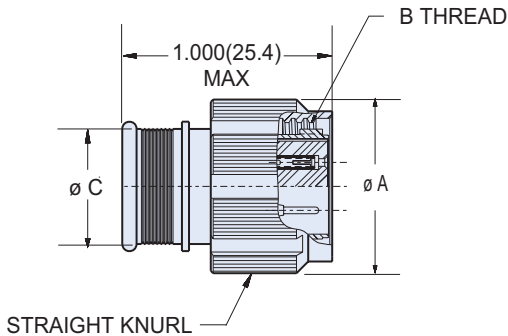
Harsh Environment: fluorosilicone seals, aluminum or stainless steel shells, and gold-plated beryllium copper contacts for superior performance in demanding applications.

HOW TO ORDER

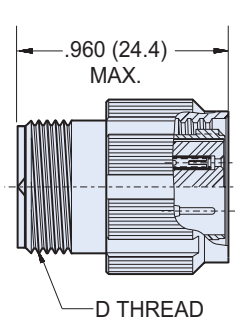
Sample Part Number

801-007	-16	M	7-10	P	A
Series	Shell Style	Shell Material / Finish	Shell Size- Insert Arrangement	Contact Type	Shell Key Position
 801-007 Banding Platform	-16 Plug with Anti-Decoupling Spring	C Aluminum / Black Anodize	5-3 3 #23 6-1 1 #16 6-4 4 #23 6-7 7 #23 7-1 1 #12 7-10 10 #23 8-13 13 #23 9-4 4 #16 9-19 19 #23 10-26 26 #23 13-2 2 #12 13-37 37 #23 16-55 55 #23 17-85 85 #23	P Pin S Socket Special contacts for #26 to #30 AWG are also available. Use the following contact codes to specify these contacts: G Pin H Socket	A Normal Alternate Key Positions: B C D
		M Aluminum / Electroless Nickel NF Aluminum / Cadmium with Olive Drab Chromate ZN Aluminum / Zinc-Nickel with Olive Drab Chromate ZNU Aluminum / Zinc-Nickel with Black Chromate Z1 Stainless Steel / Passivated	#23 contacts are packaged with connectors. #16 and #12 contacts must be ordered separately.		
 801-008 Rear Accessory Thread					

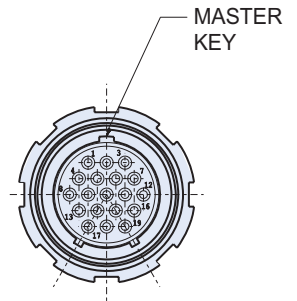
Series 801 Cable Plug Connectors



Integral Band Platform
801-007



Accessory Thread
801-008



DIMENSIONS

Shell Size	Ø A		B Thread	Ø C		D Thread UNEF-2A
	In.	mm.		In.	mm.	
5	.540	13.72	.3125-.05P-1L-2B	.245	6.22	.250-32
6	.600	15.24	.375-.05P-1L-2B	.290	7.37	.3125-32
7	.680	17.27	.4375-.05P-1L-2B	.390	9.91	.4375-28
8	.750	19.05	.5000-.05-.1L-2B	.445	11.30	.5000-28
9	.810	20.57	.5625-.05P-.1L-2B	.500	12.70	.5625-24
10	.880	22.35	.6250-.05P-1L-2B	.560	14.22	.6250-24
13	1.050	26.67	.8125-.1P-.2L-2B	.650	16.51	.6875-24
16	1.240	31.50	1.000-.1P-.2L-2B	.805	20.45	.9375-20
17	1.300	33.02	1.062-.1P-.2L-2B	.850	21.59	.9375-20

PLUG KEY POSITIONS

	A°	B°	
A	150°	210°	
B	75°	210°	
C	95°	230°	
D	140°	275°	