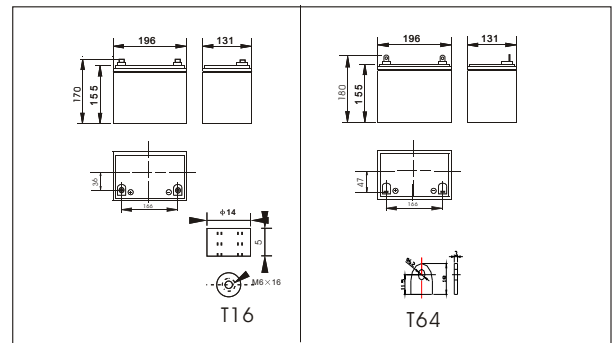




# SWE12350(12V35AH)



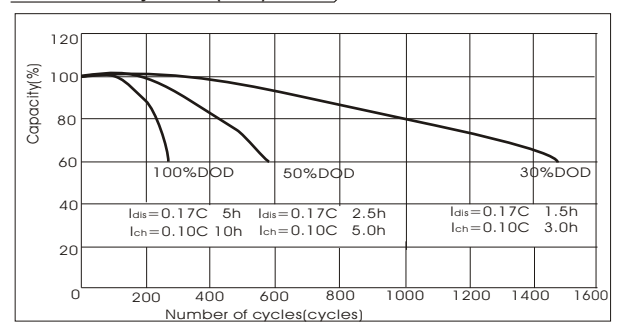
## Outer dimensions (mm)



## Specifications

Nominal Voltage		12V
Rated capacity (10 hour rate)		35 Ah
Dimensions	Total Height	170 mm (6.69 inches)
	Height	155 mm (6.10 inches)
	Length	196 mm (7.70 inches)
	Width	131mm (5.16 inches)
Weight Approx		11.0Kg (24.31lbs)

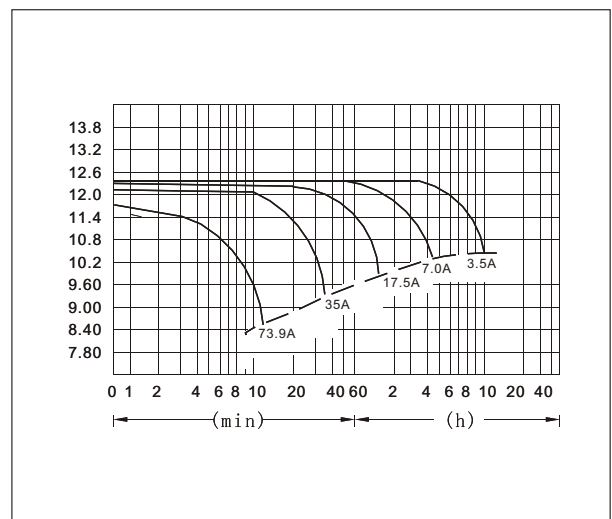
## Curves of cycle life(25°C)



## Characteristics

Capacity 25°C(77°F)	10 hour rate(3.5A) 5 hour rate(5.6A) 1 hour rate(21.0A)	35.0 AH 28.0 AH 21.0 AH
Internal Resistance	Full charged Battery at 25°C(77°F)	Approx 9.0 m Ω
Capacity affected by Temperature (10hour rate)	40°C(104°F) 25°C(77°F) 0°C(32°F) -15°C(5°F)	102% 100% 85% 65%
Self-Discharge at 25°C(77°F)	Capacity after 3 month storage Capacity after 6 month storage Capacity after 12 month storage	91% 82% 64%
Terminal	T64、T16	
Charge (constant Voltage)	Cycle	Initial Charging Current less than 14 A Voltage 14.10-14.40V
	Float	Voltage 13.50-13.80V

## Discharge Curves 25°C(77°F)



Constant Current(Amp) and Constant Power(Watt) Discharge Table at 25°C(77°F)

Time		5min	10min	15min	30min	1h	2h	3h	4h	5h	8h	10h	20h
9.60V	A	112	74	60	40	21	12	9.0	7.0	5.8	4.1	3.7	2.0
	W	1157	789	638	429	227	135	100.1	78.8	65.7	46.9	42.4	23.1
10.20V	A	109	67	56	38	20	12	8.8	6.8	5.7	4.0	3.6	1.9
	W	1160	744	627	428	223	135	101.3	79.4	66.1	46.7	42.4	22.6
10.50V	A	105	60	49	36	19	11	8.5	6.7	5.6	4.0	3.5	1.9
	W	1147	678	560	411	221	132	99.5	78.6	65.7	46.5	41.8	22.8
10.80V	A	101	56	46	33	18	11	8.3	6.6	5.5	3.9	3.5	1.9
	W	1136	648	525	381	215	130	98.2	78.1	64.5	45.6	41.6	22.5
11.10V	A	98	53	42	29	18	11	8.1	6.4	5.3	3.7	3.3	1.8
	W	1109	610	490	344	210	128	95.6	76.7	63.5	44.9	40.1	21.6