

Features

- Broad use in industrial applications.
- External mounting tab.
- 1/2 watt non-inductive, high pulse resistor.

Applications

- Automatic machines and Office appliances.



Safety Agency : Standard		File No.
UL	: UL-1283	E78644
VDE	: IEC60384-14 II , EN132400	10529-4670-0042/325CS

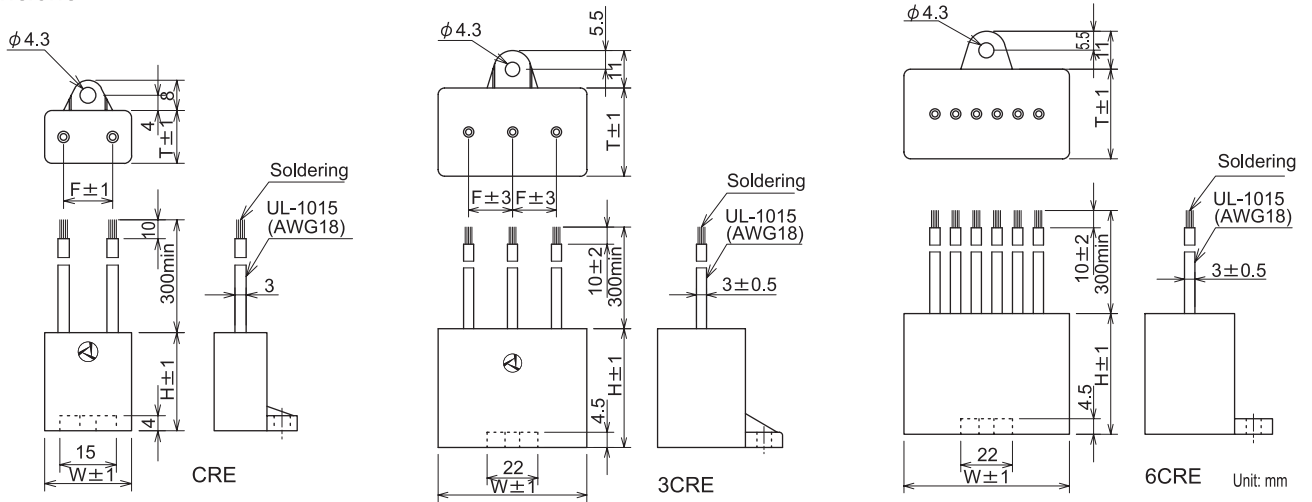


CRE Series

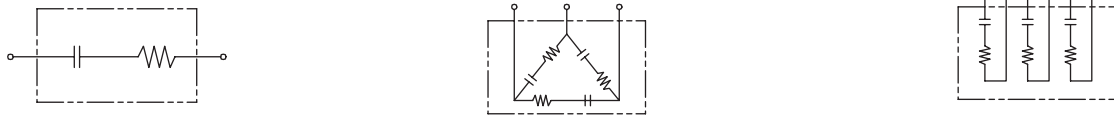


3CRE (3 Phase)
6CRE (3 Phase)

Dimensions



Circuit



Electrical Specifications

Rated Voltage **250VAC**

Safety Agency	Model Number	Capacitance $\mu\text{F} \pm 20\%$	Resistance $\Omega \pm 30\%$	Dimensions				Pulse condition (Max.)				Peak Pulse Voltage	Test Voltage	Insulation Resistance
				W	H	T	F	Peak to peak	Pulse width	Repetitive frequency	Pulse width (sec) x Frequency (Hz)			
UL	CRE-10201	0.1	200(1/4W)	23	26	14	13	700V	50msec.	360Hz.	0.45	800V max	Line to Line 625Vrms 50/60Hz 60sec	Line to Line 10,000M Ω min
	CRE-20151	0.2	150(1/2W)	25	32	16	15				0.15			
	CRE-30680	0.3	68(1/2W)								0.1			
	CRE-50500	0.5	50(1/2W)								0.07			
VDE	3CRE-30680*	0.3/1 phase	68(1/2W)/1 phase	44	35	26	-	70msec.	360Hz.	0.1	800V max	Line to Case 2000Vrms 50/60Hz 60sec	Line to Case 10,000M Ω min (at 500VDC)	
	3CRE-50500	0.5/	50(1/2W)/	48						0.07				
	6CRE-50500	1 phase	1 phase	48						-				

* 3CRE-30680 is not UL approved.

Operating Temperature: -40~+85°C