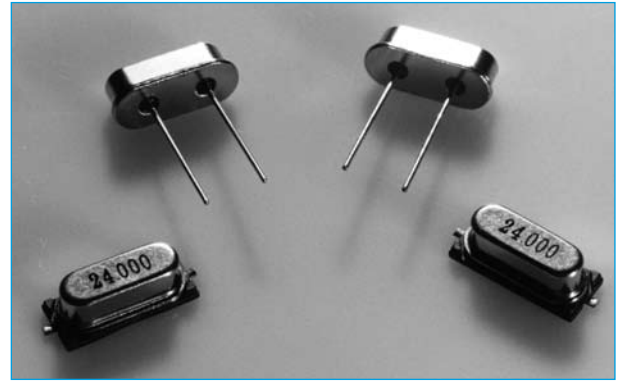


CRYSTALS

- Useful replacement for DXT49
- Where board space is paramount
- Standard frequencies readily available
- Resistance welded can
- Surface mount version DXT49SM also available

LOW PROFILE CRYSTAL HOLDER & SMT DXT494/49SM



SPECIFICATION

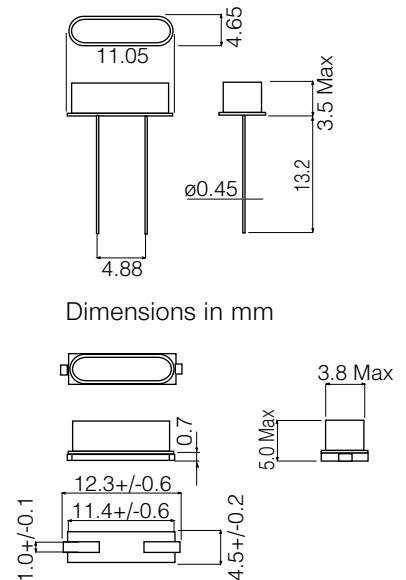
Frequency Range (Fo)	3.200MHZ to 66.000MHZ	
Frequency Tolerance at 25°C ±3°C	±50ppm (typ)	±50ppm
Temperature Stability (Ref to 25°C)	±50ppm (typ)	±100ppm
Operating Temperature Range (T _{OPR})	0°C to 70°C (AT)	0°C to 70°C (BT)
Storage Temperature Range (T _{STG})	-40°C to 85°C	
Shunt Capacitance (C ₀)	7pF Max	
Load Capacitance (C _L)	10 to 32 pF or Series Resonant	
Insulation Resistance	500 Megaohms Minimum at 100Vdc	
Drive Level	1mWatts Max	
Ageing (at 25°C ^o)	±5ppm/year Max	

EQUIVALENT SERIES RESISTANCE (ESR)

MODE OF OPERATION (MODE)

Frequency Range	Max ESR (Ω)	Mode
3.200MHz to 4.499MHz	150	Fundamental/AT
4.500MHz to 5.999MHz	120	Fundamental/AT
6.000MHz to 6.999MHz	100	Fundamental/AT
7.000MHz to 7.999MHz	90	Fundamental/AT
8.000MHz to 8.999MHz	80	Fundamental/AT
9.000MHz to 9.999MHz	60	Fundamental/AT
10.000MHz to 12.999MHz	50	Fundamental/AT
13.000MHz to 30.000MHz	40	Fundamental/AT
30.000MHz to 66.000MHz	80	3rd Overtone
27.000MHz to 40.000MHz	40	Fundamental/BT

OUTLINE DRAWING



ORDERING INFORMATION

DXT494	10.000	A	20	XX	XX	XX
Series DXT494 DXT49SM	Frequency (MHz)	Mode of Operation A-AT Cut Fund B-BT Cut Fund T-3rd Overtone	Load Capacitance or Series Resistance	Options Frequency Tolerance ppm	Temperature Stability ppm	TR = Taped and reeled Blank = Loose