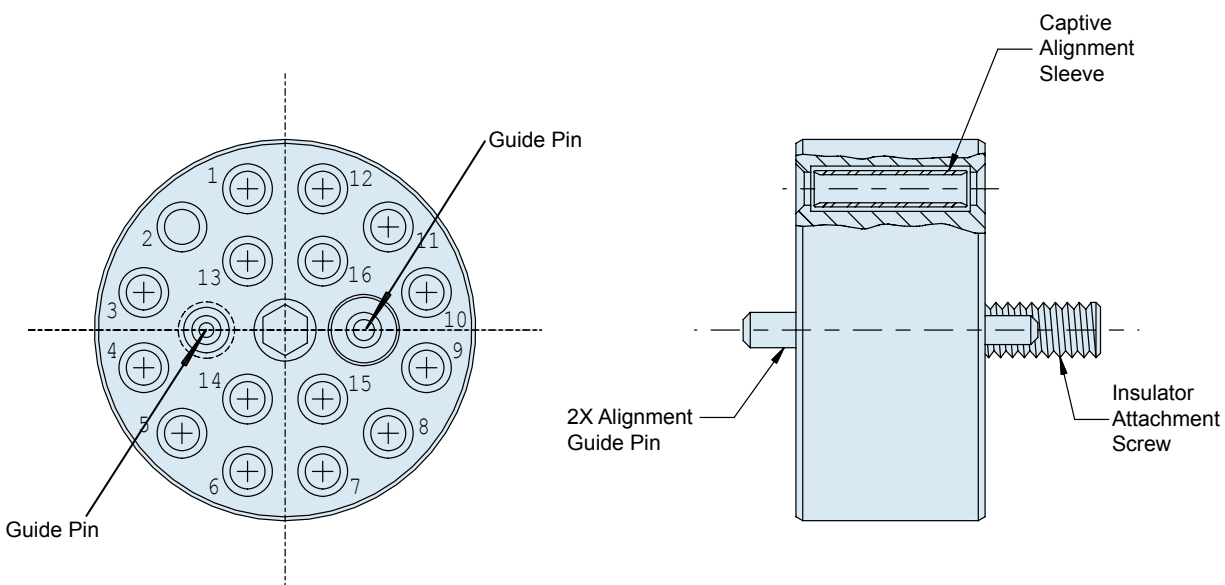


06 - PLUG

APPLICATION NOTES

1. Material/ Finishes:
 Shells, Barrel - High grade engineering thermoplastic/
 See Table I, Page C-6.
 Coupling nut/jam nut - High grade engineering
 thermoplastic/N.A.
 Insulators - High grade rigid dielectric/N.A.
 Alignment Sleeve Retainer - Aluminum alloy/black anodized
 or composite (see detailed view, opposite page).
 Seals - Fluorosilicone/N.A.
2. Assembly to be identified with Glenair's name, part number
 and date code, space permitting.
3. For appropriate Glenair terminus part numbers see
 Glenair drawing 181-047 (keyed terminus for APC polish,
 page C-4) or 181-041 (tunable terminus, page C-2).
4. Consult factory for addition of RFI spring.
5. Metric dimensions (mm) are indicated in parentheses.

TABLE II: SHELL SIZE				
Shell Size Code	Shell Size	CC Max Dia	DD Max Dia	EE Thread
B	11	.929 (23.6)	.984 (25.0)	M15 X 1.0-6g 0.100R
C	13	1.110 (28.2)	1.157 (29.4)	M18 X 1.0-6g 0.100R
D	15	1.232 (31.3)	1.280 (32.5)	M22 X 1.0-6g 0.100R
E	17	1.358 (34.5)	1.406 (35.7)	M25 X 1.0-6g 0.100R
F	19	1.469 (37.3)	1.516 (38.5)	M28 X 1.0-6g 0.100R
G	21	1.594 (40.5)	1.642 (41.7)	M31 X 1.0-6g 0.100R
H	23	1.720 (43.8)	1.768 (44.9)	M34 X 1.0-6g 0.100R
J	25	1.843 (46.8)	1.890 (48.0)	M37 X 1.0-6g 0.100R



**Detailed View of
 Removable Alignment Sleeve
 Retainer**