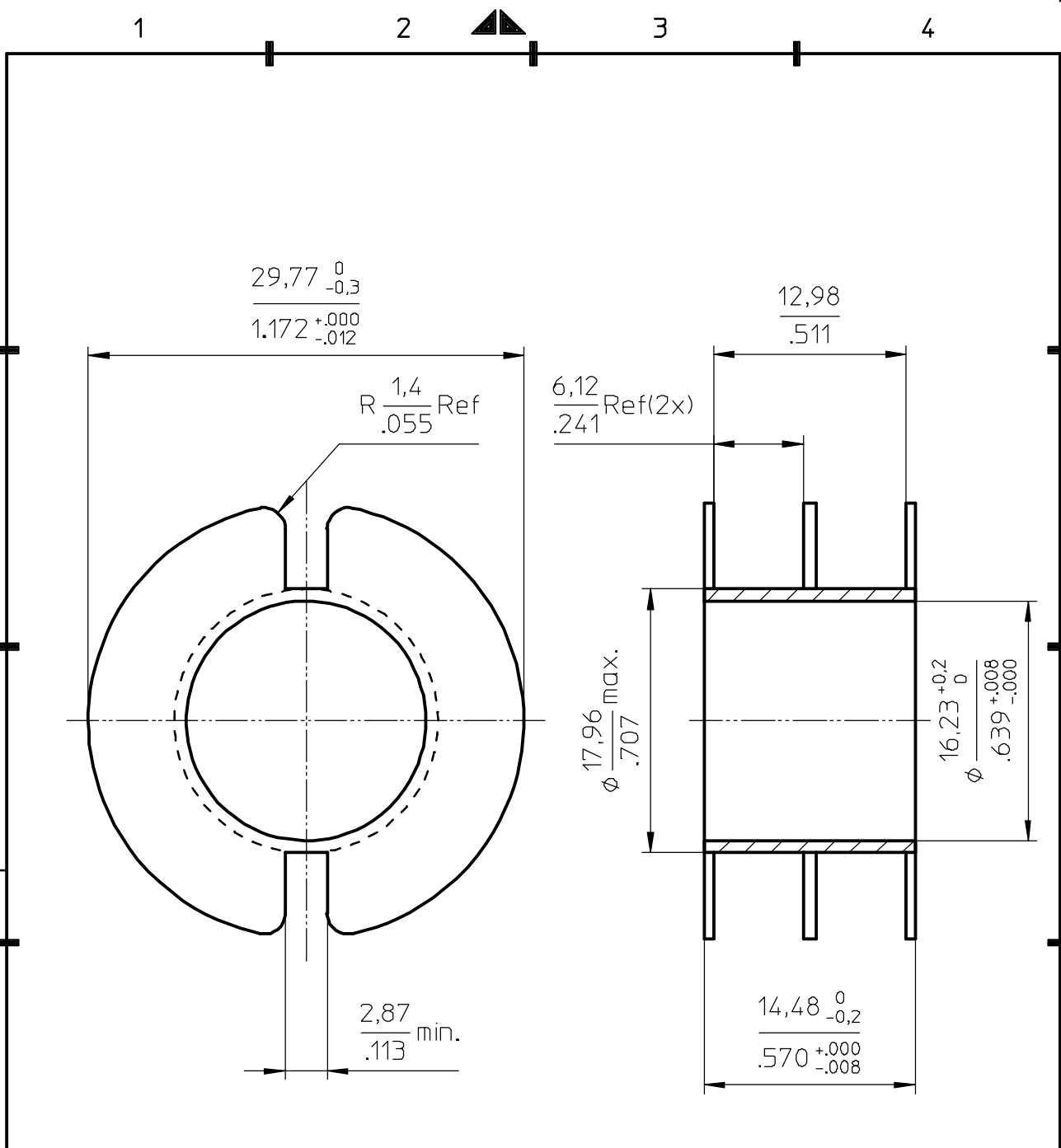
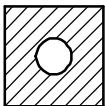
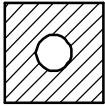


**FERROXCUBE**



Coil former material: Delrin 900 (POM).  
 UL file number: E66288 - UL94HB.  
 max. operating temp: 130°

CLASSNO.	CP-P36/22-2S-A		4335 000 26272	01-06-01
				02-11-04
				04-07-28
NAME NAAM	TJON	SUPERS. VERV	1 SH BL	SH BL 112 - 001
MPA	CHECK CONTR.	DAT.	Property of Eigendom van	© FERROXCUBE 2000
				<b>A4</b>