

# SYS-8W6908-4S01

Intel® Core™ 2 Duo  
SBC System with Front  
Alarm Indicators



## Features

- **Intel® 945G Platform**
  - Supports Intel® Core™ 2 Duo processor up to 2.66 GHz
  - Supports DDR2 SDRAM up to 4 GB (dual channel)
  - One integrated GbE delivers excellent network performance
- **Smart System with Front Alarm Notification**
  - Visible LED indicators and audible alarm notification for system fault detection
  - Hot-swappable dual cooling fans
  - Supports one PCIe x16, one PCIe x4 and four PCI add-on cards
  - Versatile power supply options

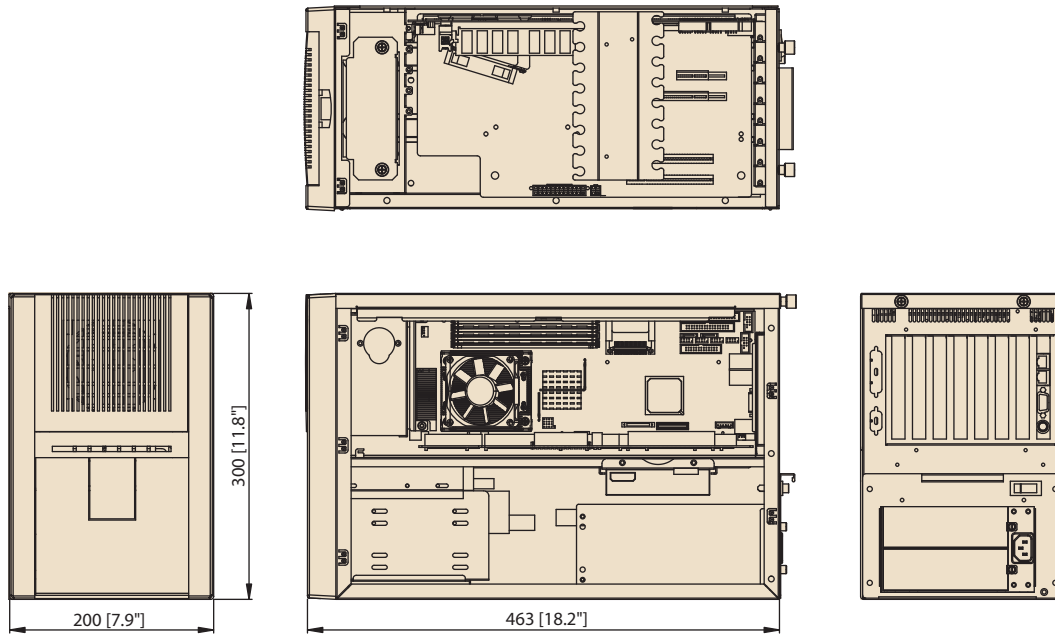


## Specifications

Form Factor		Wallmount	
Computing System	Chipset	Intel 945G + ICH7R	
	CPU	Intel Core 2 Duo processor up to 2.66 GHz (LGA 775)	
	Front Side Bus	800 / 1066 MHz	
	L2 Cache	2 / 4 MB	
	Memory	DDR2 533/667 SDRAM up to 4 GB (dual channel)	
Graphics	Controller	Intel 945G Integrated	
	VRAM	Dynamically shared system memory up to 224 MB	
Expansion Slot	PCI	4 x 32-bit	
	PCIe x4	1	
	PCIe x16	1	
Storage	Optical Drive (support)	CD-ROM / DVD-ROM / CD-RW	
	Floppy Disk (support)	3.5" 1.44 MB FDD	
	HDD (support)	SATA (supports software RAID 0, 1, 5, 10)	
Drive Bay	5.25" (front-accessible)	2	
	3.5" (front-accessible)	1	
	3.5" (internal)	1	
Ethernet	Interface	10/100/1000Base-T Gigabit Ethernet	
	Controller	Intel 82573V	
Front I/O Ports	USB	2	
Rear I/O Ports	USB	4	
	PS/2	2	
	COM	3	
	VGA	1	
	Parallel	1	
	RJ-45	1	
Operating System		Microsoft Windows XP	
Watchdog Timer	Output	Interrupt, System Reset	
	Interval	Programmable 1 ~ 255 sec	
Power Supply	Power Output Wattage	400 W	
	Input Range	AC 100 ~ 240V	
Cooling	Chassis Fan	2	
	Air Filter	Yes	
Miscellaneous	Notification LEDs	Power status, HDD activity, Temperature and Fan	
Environment	Temperature	Operating 0 ~ 40° C (32 ~ 104° F)	Non-Operating -20 ~ 60° C (-4 ~ 140° F)
	Humidity	10 ~ 85% @ 40° C non-condensing	10 ~ 95% @ 40° C non-condensing
	Color	Beige	
Physical Characteristics	Dimensions (W x H x D)	200 x 300 x 463 mm (7.9" x 11.8" x 18.2")	
	Weight	15 kg (33 lb)	

## Dimensions

Unit: mm (inch)



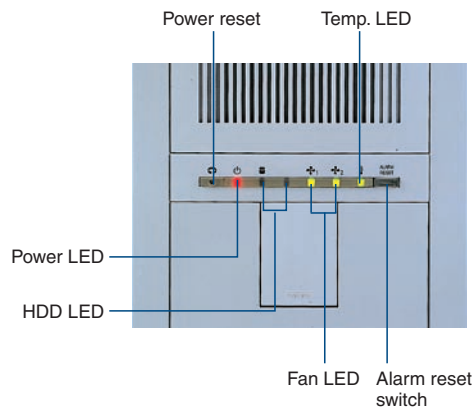
## Ordering Information

Please visit Advantech CTOS portal for order entry.  
<http://www.advantech.com/ctos>

## System Content

Item	Part Number
Chassis	IPC-6908BP-BE
SBC	PCE-5120VG-00A2E
Backplane	PCE-5B07-04A1E
Power Supply	PS-400ATX-ZBE

## Front View



## Installation

