

CTHP1210F Series

From .22 μH to 10 μH



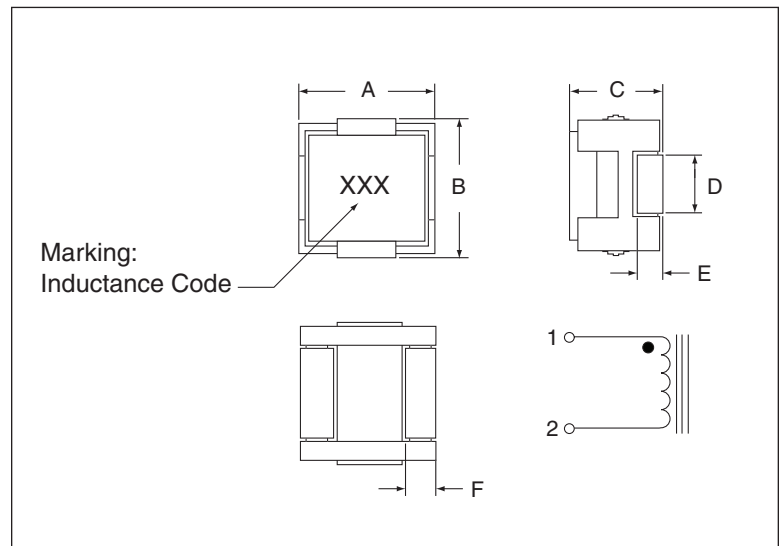
SPECIFICATIONS

Parts are available in $\pm 20\%$ tolerance only.
* Inductance drop by approximate 30% at Rated DC Current.

Part Number	Inductance ($\mu\text{H} \pm 20\%$)	L Test Freq. (kHz)	DCR Max. (m Ω)	IDC (A)
CTHP1210F-R22M	0.22	300	0.442	40.5
CTHP1210F-R30M	0.30	300	0.442	31.8
CTHP1210F-R57M	0.57	300	0.819	33.4
CTHP1210F-R87M	0.87	300	1.794	31.0
CTHP1210F-1R0M	1.0	300	1.794	25.4
CTHP1210F-1R7M	1.7	300	2.34	22.2
CTHP1210F-2R3M	2.3	300	2.34	16.7
CTHP1210F-3R6M	3.6	300	4.16	13.4
CTHP1210F-5R1M	5.1	300	7.02	11.2
CTHP1210F-7R8M	7.8	300	7.20	6.70
CTHP1210F-100M	10	300	7.56	5.30

PHYSICAL DIMENSIONS

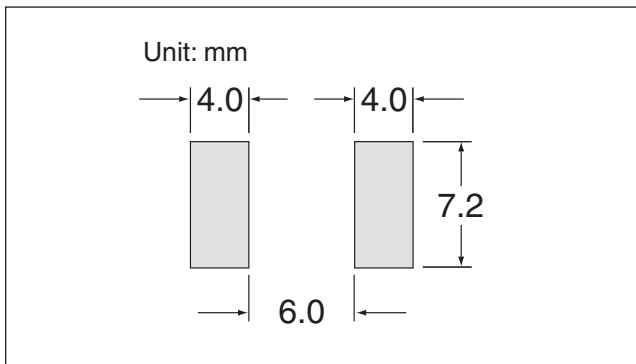
Size	A Max.	B Ref.	C Max.	D Typ.	E Typ.	F Typ.
mm	13.0	14.0	11.5	6.0	2.2	3.0
inches	0.51	0.55	0.45	0.23	0.08	0.11



CHARACTERISTICS

- Description:** SMD unshielded power inductor
- Applications:** Designed for high current, low voltage applications. Low DCR, high efficiency. Next generation microprocessors, High current DC-DC converters, Computers, etc.
- Operating Temperature:** -40°C to $+85^{\circ}\text{C}$
- Inductance Tolerance:** $\pm 20\%$
- Testing:** Tested on a HP4285A at 300 KHz , 0.25V
- Packaging:** Tape & Reel
- Marking:** Parts are marked with inductance code
- Miscellaneous:** **RoHS Compliant**
- Additional Information:** Additional electrical & physical information available upon request
- Samples available. See website for ordering information.**

PAD LAYOUT



06.06.07



Manufacturer of Passive and Discrete Semiconductor Components
800-684-5322 Inside US **949-453-1811** Outside US

Copyright © 2007 by CT Magnetics, DBA Central Technologies. All rights reserved.

CT Magnetics reserves the right to make improvements or change specifications without notice