

SilentDrive™

Silent Drive is a thermal and acoustic enclosure designed to reduce the noise of a hard drive by more than 90% while still maintaining the drive's required ambient operating temperatures. A dense acoustical barrier and a thin decoupling foam line the inside of the enclosure and prevent the transmission of noise outside the enclosure. Thermally conductive cold plates transfer the heat generated by the hard drive inside SilentDrive's enclosure to the ambient air within the PC chassis. SilentDrive can be installed as original equipment by PC manufacturers or retrofitted into existing PCs by end users.

For reference, the typical noise level in a quiet room is 28 dBA. The noisiest of hard drives, in the 36 to 38 dBA range, will be quieted to just below 30 dBA while others will be quieted to 28 dBA or less. (Note that a 3dBA reduction equates to a 50% reduction in noise.)

Features and Benefits

- Silences hard drive noise. The hard drive emits noise generally between 1 and 2 kHz, the most sensitive range of the human ear. Eliminating this noise with SilentDrive allows PCs to be used as a 24 hour appliance without intruding into the user's environment.
- High consumer acceptance
- Maintains drive operating specifications. Thermally conductive aluminum plates ensure that the hard drive's operating temperature requirements are met, with no degradation in performance, under elevated temperature and load conditions in a host PC.
- No performance degradation
- SilentDrive installs easily into any standard 133.35mm (5.25") bay of a PC. The product comes complete with all required mounting hardware
- Easy assembly into PC chassis

Mechanical

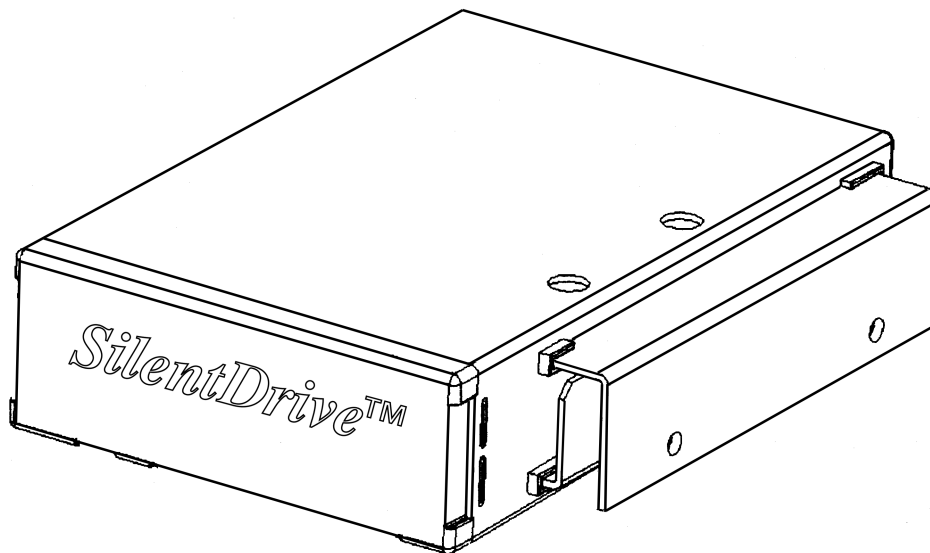
Weight: 18.6 oz. (526g)
Enclosure Material: ABS
Enclosure Material Rating: UL 94V-0
Acoustic Barrier Foam Material Rating: UL 94V-0
Decoupling Foam Material Rating: UL 94HF-1

Compatible Drives

Disk Size: 88.90mm (3.50")
Drive Height: 25.40mm (1.00")
Max. Spindle Speed: 5400 RPM

Applications

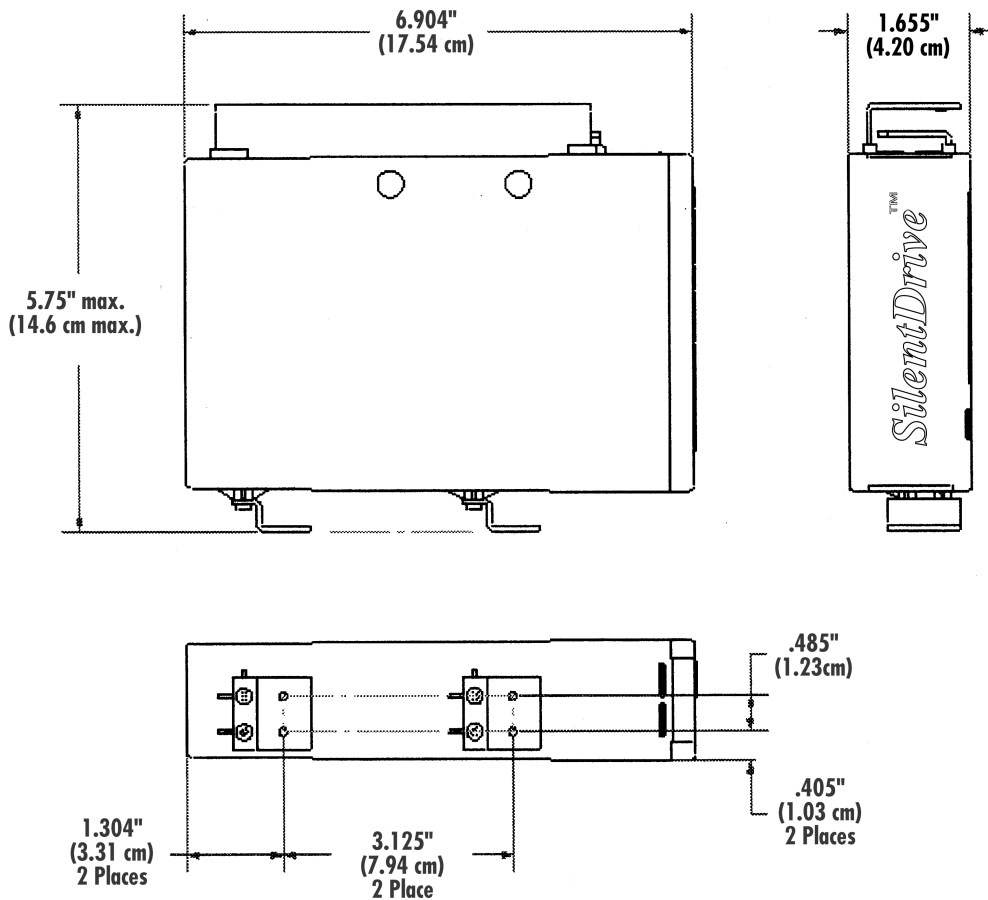
- Multimedia/Entertainment
- Audio/Video Production
- Programmers
- SOHO
- Education
- Libraries
- Reservation Desks
- Hospital



Drive Compatibility

The acoustic performance of SilentDrive is compatible with all available hard disk drives. SilentDrive is also compatible with all 88.90mm (3.50") hard disk drives with a maximum height of 25.40mm (1.00"). The limiting factor in SilentDrive's compatibility with hard disk drives is the maximum heat dissipated by the drive.

SilentDrive has the thermal capacity to cool hard disk drives that dissipate up to 5W of heat. However, drive manufacturers do not readily specify the heat dissipation of their drives. Therefore, Molex has established the drive's spindle speed as a proxy for heat dissipation. SilentDrive is specified to operate with hard drive spindle speeds of up to 5400 rpm. Whether the hard drive is an IDE or SCSI type is not relevant to the heat dissipation limitation. However, most SCSI drive spindle speeds are higher than 5400 rpm and therefore are not generally considered compatible with SilentDrive.



ORDERING INFORMATION

Order Number	Description
37047-0001	Acoustical enclosure for HDD

Americas Headquarters
 Lisle, Illinois 60532 U.S.A.
 Tel: 1-800-78MOLEX
 Fax: 630-969-1352

Far East North Headquarters
 Yamato, Kanagawa, Japan
 Tel: 81-462-65-2324
 Fax: 81-462-65-2366

Far East South Headquarters
 Jurong, Singapore
 Tel: 65-268-6868
 Fax: 65-265-6044

European Headquarters
 Munich, Germany
 Tel: 49-89-413092-0
 Fax: 49-89-401527

Corporate Headquarters
 2222 Wellington Ct.
 Lisle, IL 60532 U.S.A.
 Tel: 630-969-4550

Visit our Web site at <http://www.molex.com>