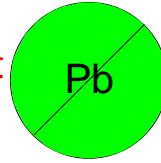


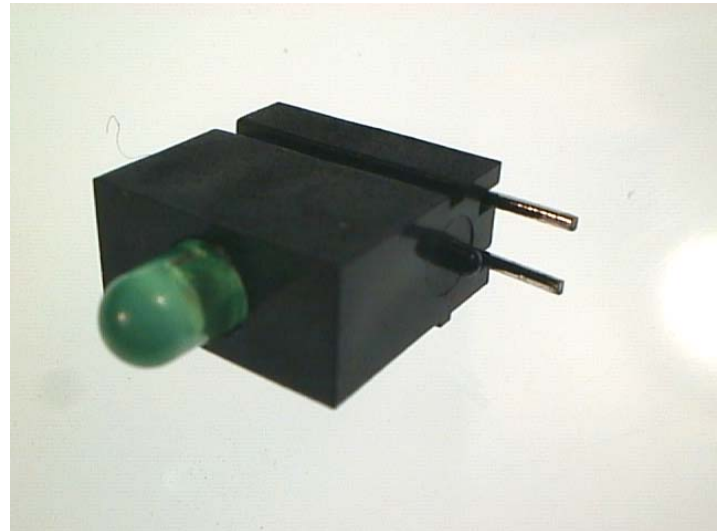
ORE 9901 SERIES 3mm LED CIRCUIT INDICATOR

This component is RoHS compliant

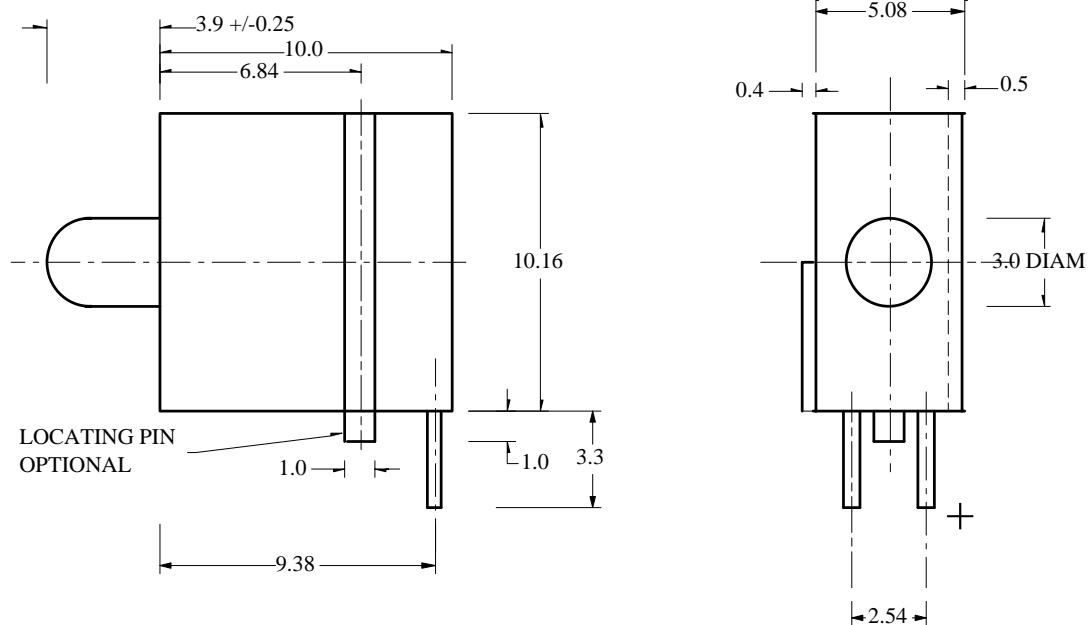


A precision PCB mount 3mm LED assembly with locating pin. Package moulded in Black Nylon 6 zero flammability material has built in alignment key compatible with the ORD 9701/9702 array.

- Alignment Key.
- Positioning Pin.
- Range of colours.
- LED matching, Unit to Unit and Batch to Batch.
- 2mA range



MECHANICAL DATA

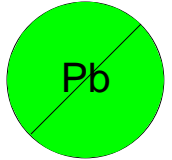


BEDFORD OPTO TECHNOLOGY LTD
1,BIGGAR BUSINESS PARK, BIGGAR, ML12 6FX
Tel: +44 (0) 1899 221221 Fax: +44 (0) 1899 221009
Website: bot.co.uk E-mail: bill@bot.co.uk

ABSOLUTE MAXIMUM RATINGS (T_A = 25°C)

PARAMETER	RED, YELLOW, GREEN	RED/GREEN BI- COLOUR
Peak Forward Current	1A	120mA
Continuous Forward Current	30mA	30mA
Power Dissipation [T _{amb} <60°C]	100mW	100mW
Reverse Voltage	6V	5V
Storage Temperature	-55°C to +100°C	-55°C to +100°C
Operating Temperature Range	-20°C to +100°C	-55°C to +100°C

This component is RoHS compliant



OPTO ELECTRONIC DATA (T_A = 25°C)

COLOUR	Peak wavelength nm	Viewing Angle [If = 10mA] deg	Luminous Intensity [If = 10mA] mcd		Forward Voltage [If = 20mA] V Max	Reverse Voltage [Ir = 10 µA] V Max
			Min	Max		
RED	635	60	6.3	10	2.0	10
YELLOW	586	60	6.3	10	2.6	10
GREEN	565	60	6.3	12	2.6	10
BI-COLOUR	Orange -630	200	2.2	4.8	2.8	5 [Ir=100µA]

COLOUR	Peak wavelength nm	Viewing Angle [If = 10mA] deg	Luminous Intensity [If = 2mA] mcd		Forward Voltage [If = 20mA] V Max	Reverse Voltage [Ir = 10 µA] V Max
			Min	Max		
RED	635	60	2.5	5	2.0	10
YELLOW	586	60	2.5	5	2.6	10
GREEN	565	60	4	6	2.6	10

ORDERING INFORMATION

SINGLE LED 10mA — ORE 9901X
 Indicate colour by using X = R= Red
 Y= Yellow
 G= Green
 BC = Bi-colour.

SINGLE LED 2mA — ORE9901XL
 Indicate colour by using X=R=Red
 Y=Yellow
 G=Green

Other colours available on request.

Other colours available on request

BEDFORD OPTO TECHNOLOGY LTD
 1, BIGGAR BUSINESS PARK, BIGGAR, ML12 6FX
 Tel: +44 (0) 1899 221221 Fax: +44 (0) 1899 221009
 Website: bot.co.uk E-mail: bill@bot.co.uk