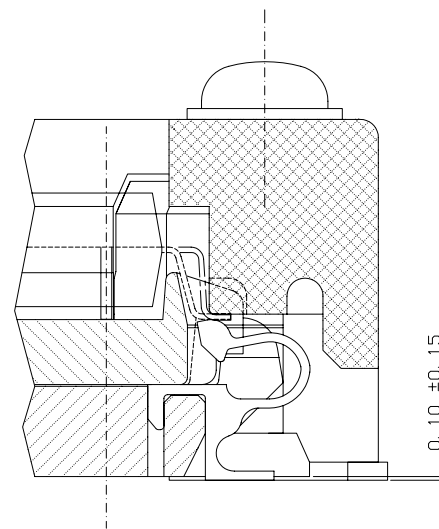
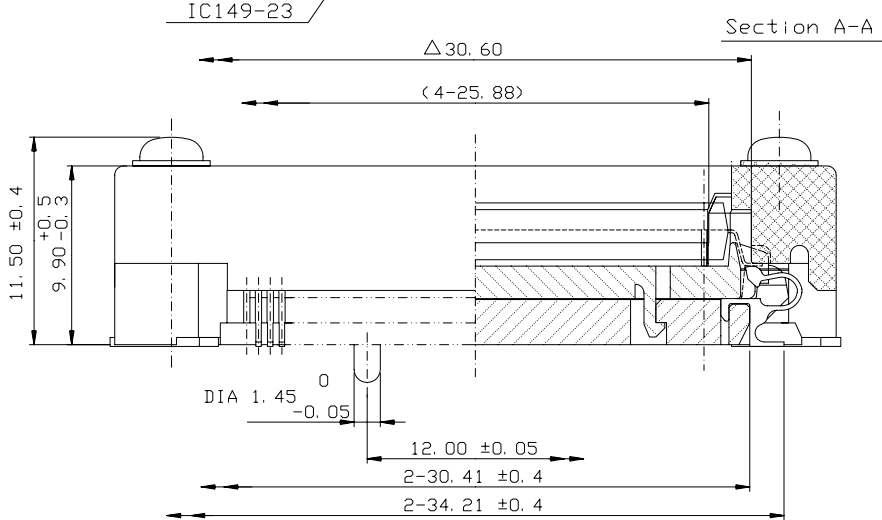
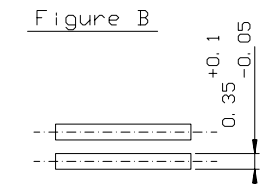
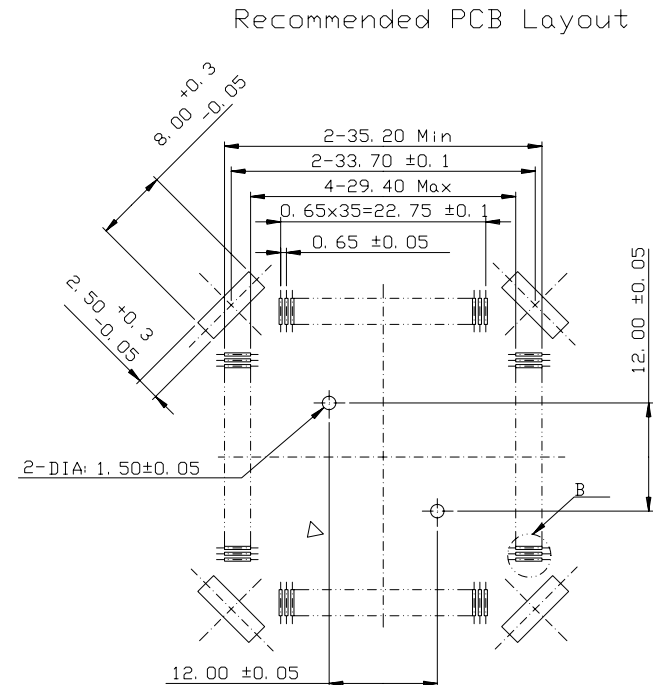
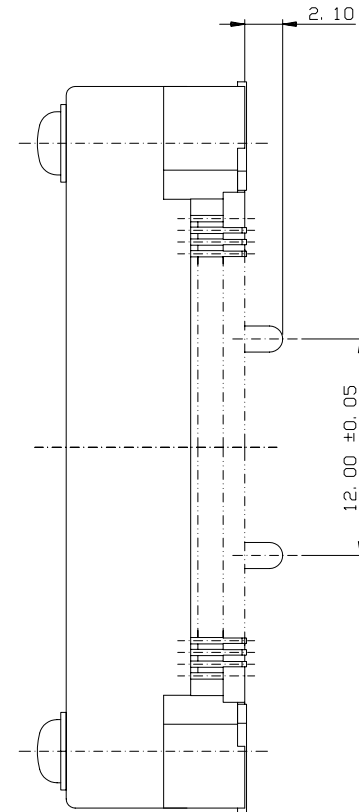
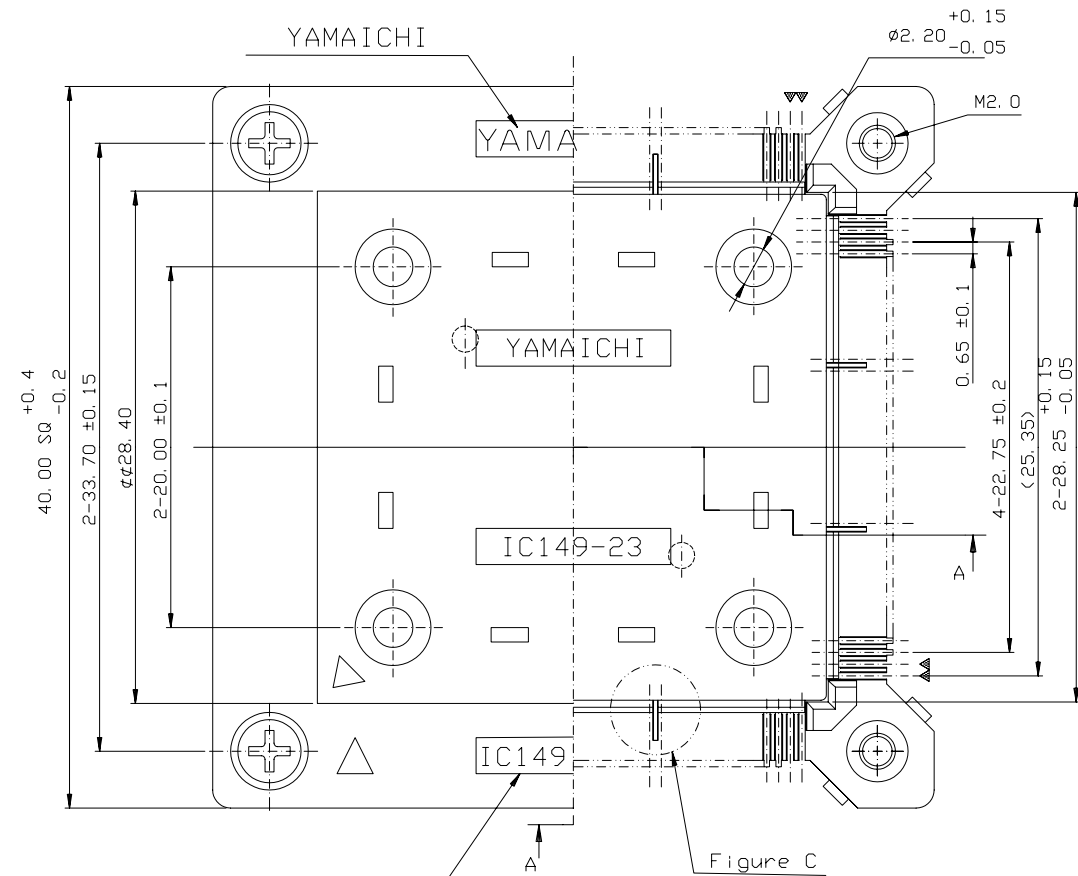


THE DRAWINGS AND INFORMATION CONTAINED HEREIN ARE THE EXCLUSIVE PROPERTY OF ACTEL.
 THE INFORMATION, DRAWINGS AND DESIGN CONCEPTS CONTAINED HEREIN ARE CONFIDENTIAL/PROPRIETARY, SHALL
 BE MAINTAINED IN STRICT CONFIDENCE, AND SHALL NOT BE RELEASED TO ANY THIRD PARTY WITHOUT THE EXPRESS
 WRITTEN PERMISSION OF ACTEL.

ECN NO.	REV.	DESCRIPTION OF CHANGE	EFFECTIVE DATE	ORIGINATOR
2007351	0	Initial	06/15/2007	Lijie Zhao



- Notes:
- Controlling dimensions are in millimeters.
 - Yamaichi socket number IC149-144K-11453-1B

UNLESS OTHERWISE SPECIFIED DIMENSIONS ARE IN MILLIMETERS DECIMAL ANGULAR X.X ±0.10 ±1° X.XX ±0.05 X.XXX ±0.03	PROJECTION		ACTEL CORPORATION 2061 Stierlin Court Mountain View, CA 94043-4655	
	APPROVALS	DATE	TITLE	
	DRAWN Lijie Zhao	06/15/2007	SY-PQG144, Yamaichi lead free prototype socket drawing for PQ144 and PQG144 packages	
	CHECKED		VENDOR NAME: Yamaichi	ACTEL DWG. NUMBER 1-07-11065
MATERIAL SEE NOTES	ENG'R	SIZE B	VENDOR SID(PART) NUMBER IC149-144K-11453-1B	VENDOR DWG. NUMBER N/A
FINISH SEE NOTES	RELEASED	Actel Part#: SY-PQG144		SCALE: NONE
DO NOT SCALE DRAWING				SHEET 1 OF 1