

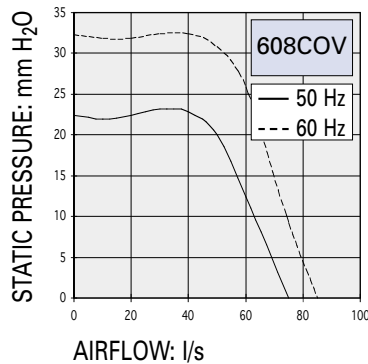


Approvals

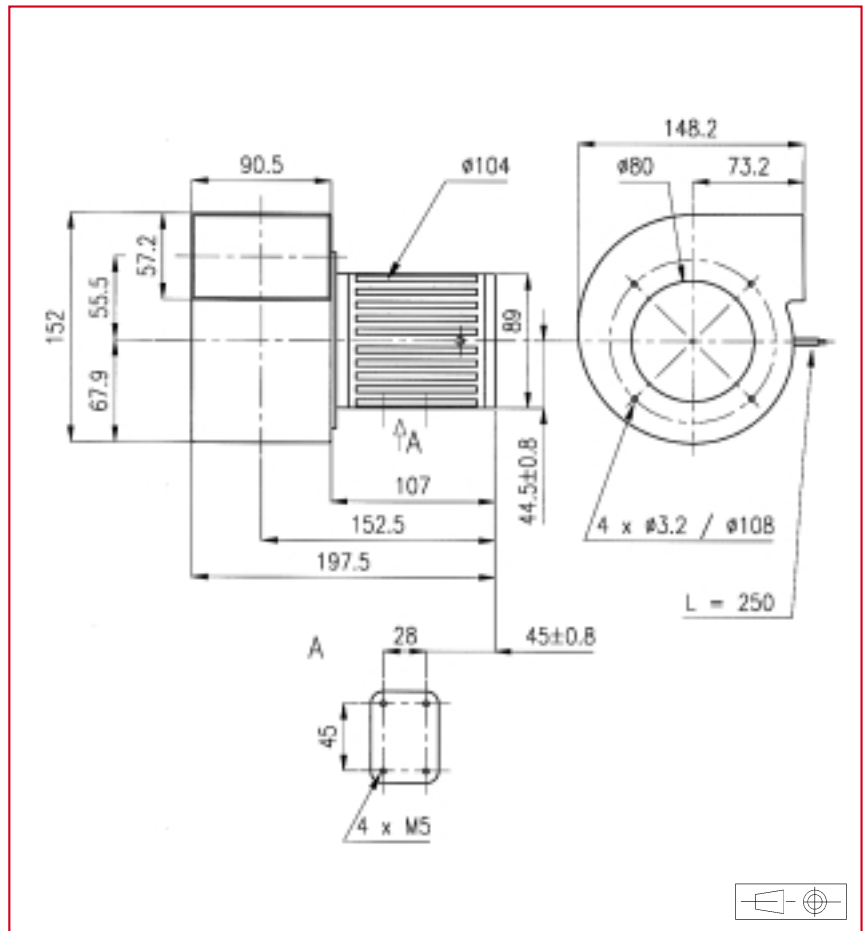
GAM T1 LISTED

Life expectancy

L-10 LIFE AT 40°C:
25 000 hours



148,2 x 152 x 197,5 mm



AC Motor

Housing material: steel plate
Wheel material: steel plate
Weight: 3,45 kg
Bearing system: ball bearings

Connection: flying leads

Available with:

- safety switch

Part number	Nominal voltage	Airflow	Noise level	Nominal speed	Frequency	Phases	Capacitor (not included)	Input power	Nominal current	Starting current	Operating temperature	
	V	l/s	dB(A)	RPM	Hz		μF	W	mA	mA	Min. °C	Max. °C
608COV016DC13	220	74	64	2800	50	3		60	255	1250	- 10	70
	380	74	64	2800	50	3		60	150	750	- 10	70
	220	85	67	3200	60	3		87	285	1150	- 10	70
	380	85	67	3200	60	3		87	165	700	- 10	70
	220	74	64	2800	50	1	4,7	63	290	1100	- 10	70
	380	74	64	2800	50	1	1,47	63	170	650	- 10	70
	220	85	67	3200	60	1	4,7	98	440	1000	- 10	70
	380	85	67	3200	60	1	1,47	98	255	600	- 10	70

Additional versions:

Salt spray protected - shock and vibration protected - marine specifications - wide temperature range

Accessories:

See pages: 157, 160 and 163