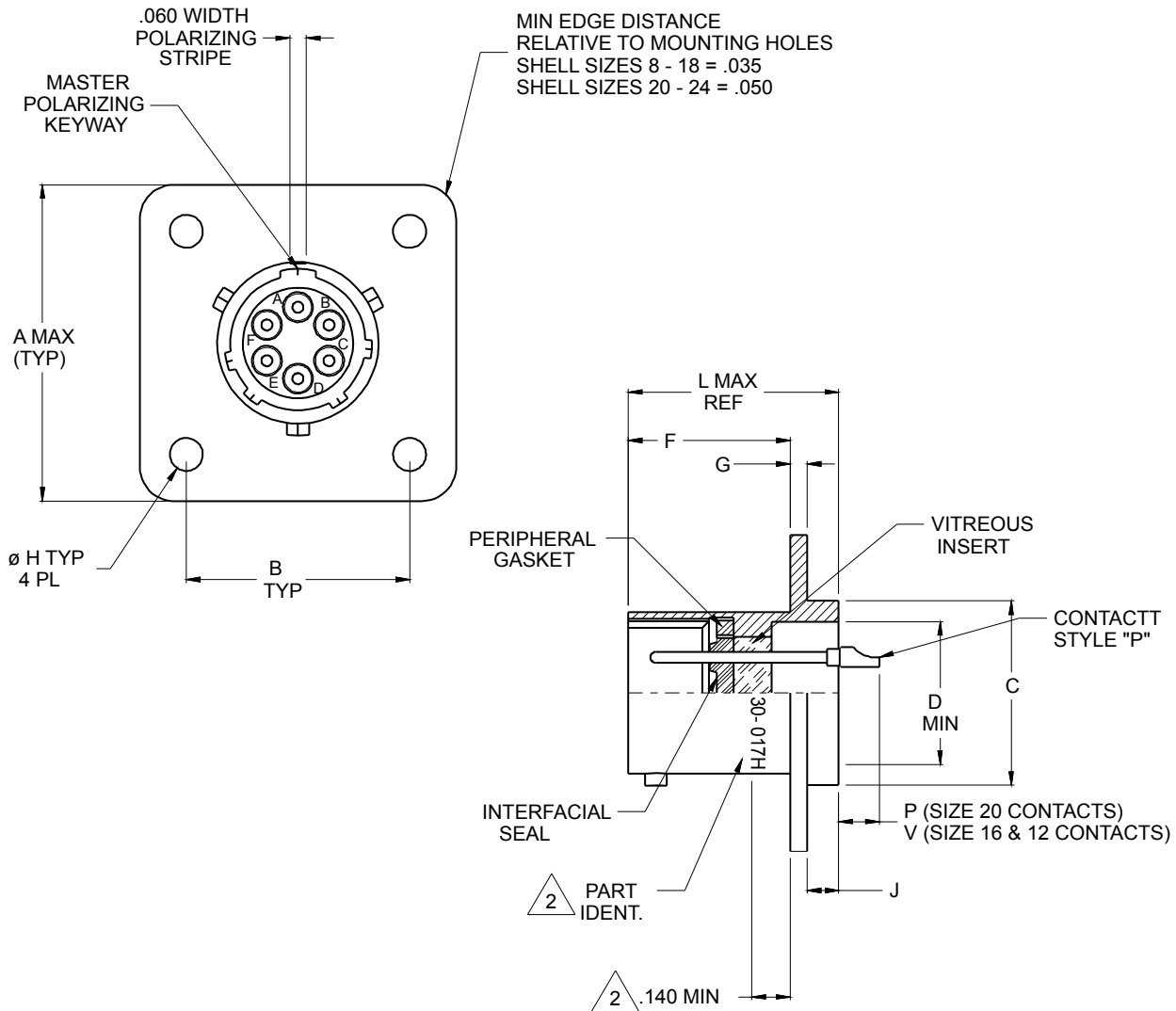
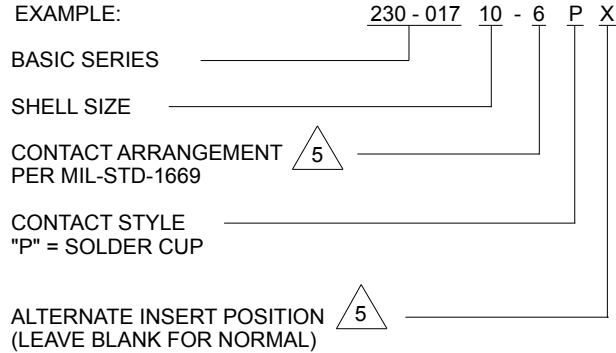


230-017 Hermetic Receptacle, Wide Flange Mount MIL-C-26482 Series II, MS3442 Type

HOW TO ORDER:



230-017
Hermetic Receptacle, Wide Flange Mount
MIL-C-26482 Series II, MS3442 Type



MIL-C-24682

TABLE I: CONNECTOR DIMENSIONS

SHELL SIZE	A	B	C ϕ MOUNTING LOCATOR	D ϕ MIN	F	G	H
8	1.065 (27.1)	.734 (18.6)	.563/.557 (14.3/14.1)	.403 (10.2)	.598/.578 (15.2/14.7)	.078/.046 (2.0/1.2)	.120 (3.0)
10	1.141 (29.0)	.812 (20.6)	.673/.667 (17.1/16.9)	.515 (13.1)	.598/.578 (15.2/14.7)	.078/.046 (2.0/1.2)	.120 (3.0)
12	1.266 (32.2)	.938 (23.8)	.782/.776 (19.9/19.7)	.630 (16.0)	.598/.578 (15.2/14.7)	.078/.046 (2.0/1.2)	.120 (3.0)
14	1.360 (34.5)	1.031 (26.2)	.907/.901 (23.0/22.9)	.755 (19.2)	.598/.578 (15.2/14.7)	.078/.046 (2.0/1.2)	.120 (3.0)
16	1.453 (36.9)	1.125 (28.6)	1.032/1.026 (26.2/26.1)	.880 (22.4)	.598/.578 (15.2/14.7)	.078/.046 (2.0/1.2)	.120 (3.0)
18	1.532 (38.9)	1.203 (30.6)	1.157/1.151 (29.4/29.2)	.980 (24.9)	.598/.578 (15.2/14.7)	.078/.046 (2.0/1.2)	.120 (3.0)
20	1.688 (42.9)	1.297 (32.9)	1.251/1.245 (31.8/31.6)	1.105 (28.1)	.660/.640 (16.8/16.3)	.110/.078 (2.8/2.0)	.120 (3.0)
22	1.766 (44.9)	1.375 (34.9)	1.376/1.371 (35.0/34.8)	1.230 (31.2)	.660/.640 (16.8/16.3)	.110/.078 (2.8/2.0)	.120 (3.0)
24	1.891 (48.0)	1.500 (38.1)	1.501/1.495 (38.1/38.0)	1.385 (35.2)	.660/.640 (16.8/16.3)	.110/.078 (2.8/2.0)	.147 (3.7)

TABLE I (CONTINUED): CONNECTOR DIMENSIONS

SHELL SIZE	J	L	P	V	PANEL CUT-OUT ϕ	MAX. WEIGHT (LBS)
8	.125/.105 (3.2/2.7)	.801 (20.3)	.178/.118 (4.5/3.0)	.248/.188 (6.3/4.8)	.570 (14.5)	TBD
10	.125/.105 (3.2/2.7)	.801 (20.3)	.178/.118 (4.5/3.0)	.248/.188 (6.3/4.8)	.680 (17.3)	TBD
12	.125/.105 (3.2/2.7)	.801 (20.3)	.178/.118 (4.5/3.0)	.248/.188 (6.3/4.8)	.789 (20.0)	TBD
14	.125/.105 (3.2/2.7)	.801 (20.3)	.178/.118 (4.5/3.0)	.248/.188 (6.3/4.8)	.914 (23.2)	TBD
16	.125/.105 (3.2/2.7)	.801 (20.3)	.178/.118 (4.5/3.0)	.248/.188 (6.3/4.8)	1.039 (26.4)	TBD
18	.125/.105 (3.2/2.7)	.801 (20.3)	.178/.118 (4.5/3.0)	.248/.188 (6.3/4.8)	1.164 (29.6)	TBD
20	.093/.073 (2.4/1.9)	.863 (21.9)	.178/.118 (4.5/3.0)	.248/.188 (6.3/4.8)	1.258 (32.0)	TBD
22	.125/.105 (3.2/2.7)	.895 (22.7)	.146/.086 (3.7/2.2)	.216/.156 (5.5/4.0)	1.383 (35.1)	TBD
24	.125/.105 (3.2/2.7)	.895 (22.7)	.146/.086 (3.7/2.2)	.216/.156 (5.5/4.0)	1.508 (38.3)	TBD

NOTES:

1. MATERIAL/FINISH:

SHELL - C1215 CRS / TIN PLATED
CONTACTS - 52 NICKEL ALLOY / TIN PLATED
BAYONETS - STAINLESS STEEL / PASSIVATED
SEALS: SILICONE ELASTOMER
INSULATION: GLASS, NOIBN

4. GLENAIR 230-017 WILL MATE WITH ANY QPL MIL-C-26482 SERIES 2 BAYONET COUPLING PLUG OF SAME SIZE AND INSERT POLARIZATION

5. CONSULT FACTORY AND / OR MIL-STD-1669 FOR ARRANGEMENT AND INSERT POSITION OPTIONS

2. ASSEMBLY TO BE IDENTIFIED WITH GLENAIR'S NAME, PART NUMBER AND DATE CODE SPACE PERMITTING.

3. PERFORMANCE:

HERMETICITY: <1 X 10⁻⁷ SCCHE/SEC @ 1 ATMOSPHERE DIFFERENTIAL
DIELECTRIC WITHSTANDING VOLTAGE: CONSULT FACTORY OR MIL-STD-1669
INSULATION RESISTANCE: 5000 MEGOHMS MIN @ 500VDC